

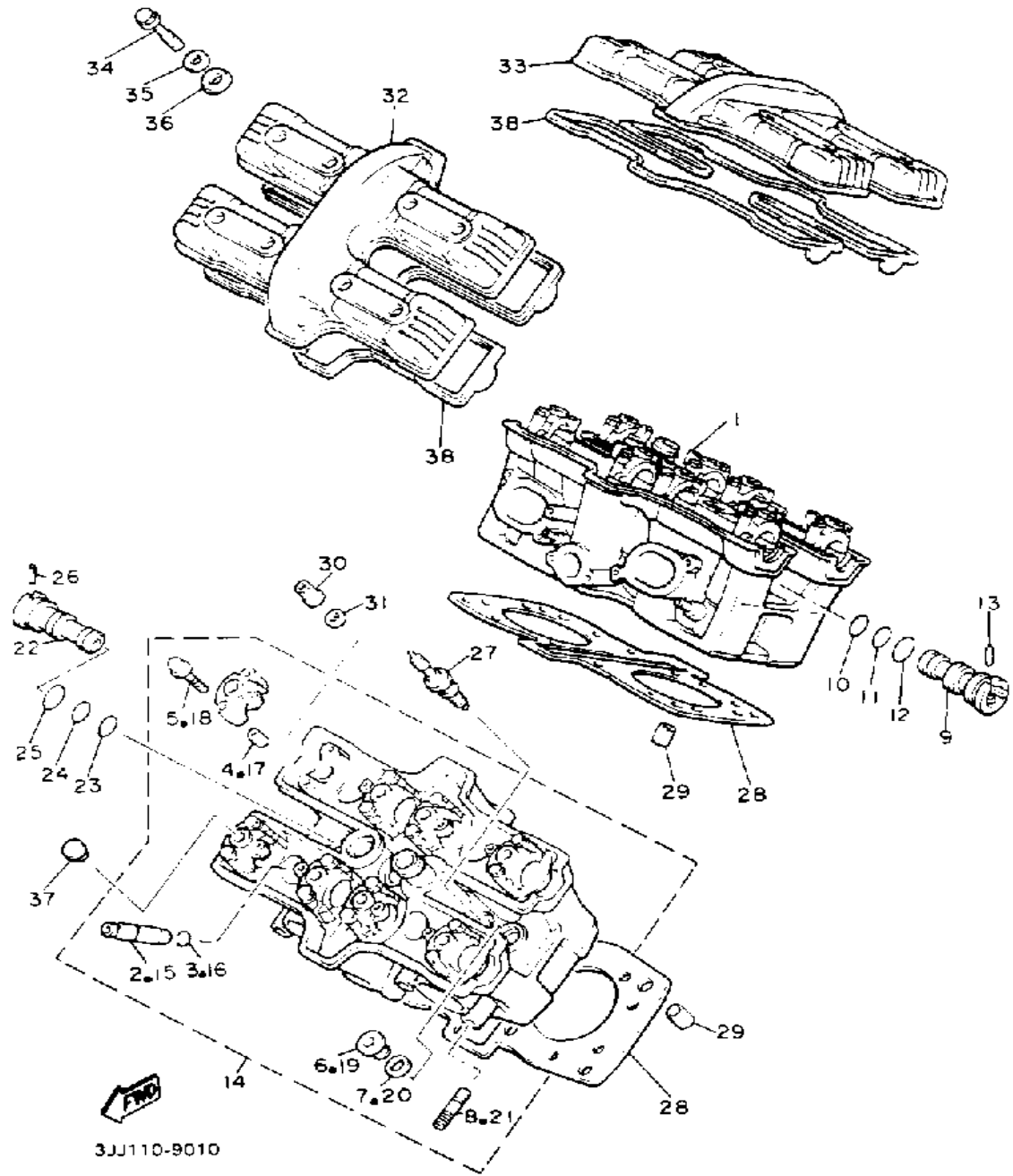
**YAMAHA**

**GENUINE**

**PARTS CATALOGUE**

**MOTORCYCLE**

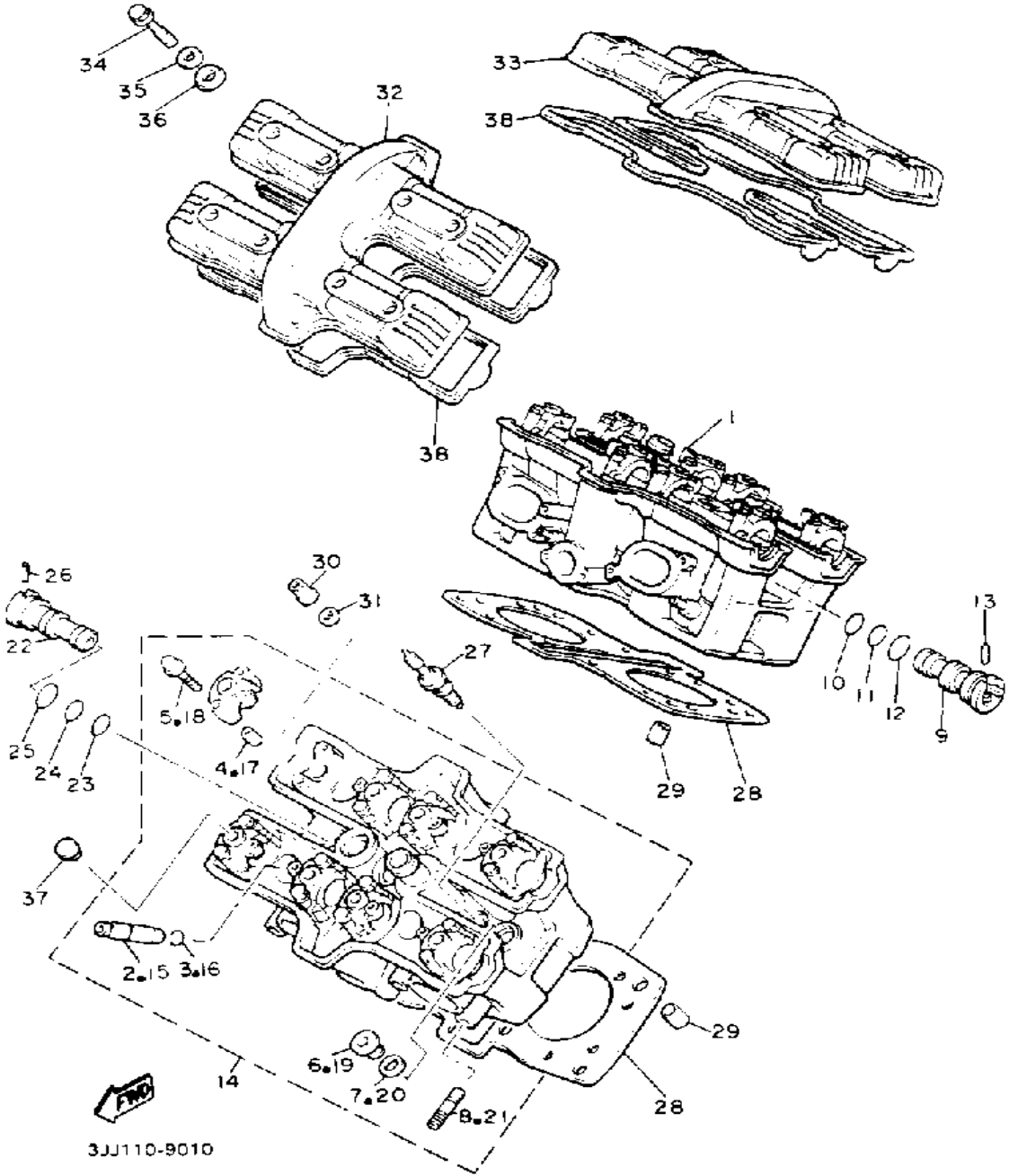
# CYLINDER HEAD



Ref. No.	Part Number	Description	Qty	Remarks
1	1NL-11110-00-00	CYLINDER HEAD ASS'Y	1	
2	26H-11133-10-00	. GUIDE, INTAKE VALVE	8	
3	93440-12117-00	. CIRCLIP	8	
4	99510-08016-00	. PIN, DOWEL	16	
5	90105-06153-00	. BOLT, WASHER BASED	16	
6	90340-20090-00	. PLUG, STRAIGHT SCREW	3	
7	90201-195F4-00	. WASHER, PLATE	3	
8	95911-08625-00	. BOLT, STUD	4	
9	26H-12469-01-00	JOINT 1	1	
10	93210-16629-00	O-RING	1	
11	93210-18322-00	O-RING	1	
12	93210-21631-00	O-RING	1	
13	90254-03008-00	PIN, SPRING	1	
14	1NL-11120-00-00	CYLINDER HEAD ASS'Y 2	1	
15	26H-11133-10-00	. GUIDE, INTAKE VALVE	8	
16	93440-12117-00	. CIRCLIP	8	
17	99510-08016-00	. PIN, DOWEL	16	
18	90105-06153-00	. BOLT, WASHER BASED	16	
19	90340-20090-00	. PLUG, STRAIGHT SCREW	3	
20	90201-195F4-00	. WASHER, PLATE	3	
21	95911-08625-00	. BOLT, STUD	4	
22	26H-12469-01-00	JOINT 1	1	
23	93210-16629-00	O-RING	1	
24	93210-18322-00	O-RING	1	
25	93210-21631-00	O-RING	1	
26	90254-03008-00	PIN, SPRING	1	
27	NGK-DPR8E-A9-00	NGK DPR8EA-9 10PK	4	
28	1NL-11181-00-00	GASKET, CYLINDER HEAD 1	2	
29	99510-12016-00	PIN, DOWEL	4	

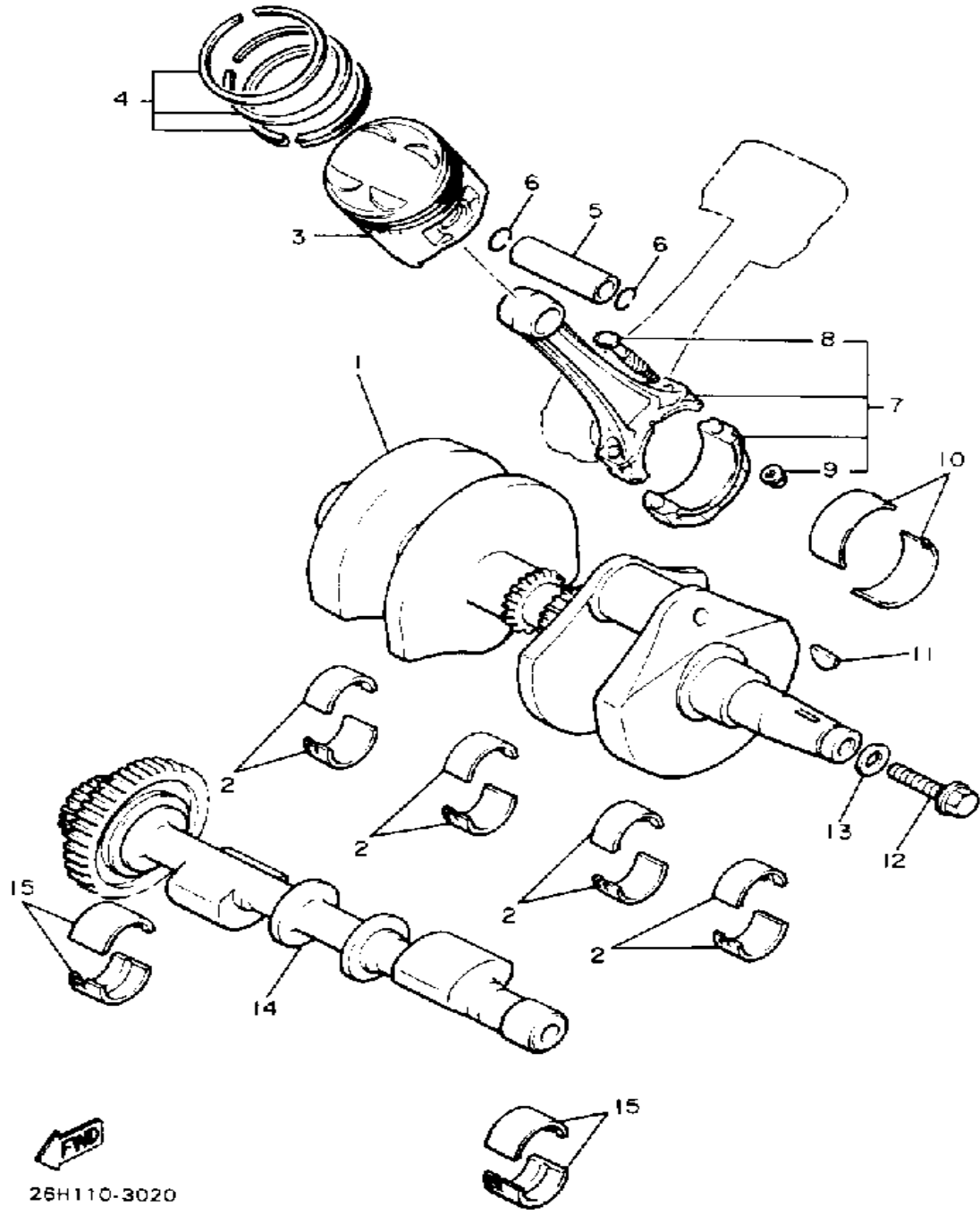
CONTINUED ON NEXT FRAME ➤

# CYLINDER HEAD



Ref. No.	Part Number	Description	Qty	Remarks
30	90179-10414-00	NUT .....	16	
31	90201-102G9-00	WASHER, PLATE .....	16	
32	26H-11191-01-00	COVER, cyl. head 1 .....	1	
33	26H-11191-01-00	COVER, cyl. head 1 .....	1	
34	90109-064F0-00	BOLT .....	16	
35	90209-11262-00	WASHER .....	16	
36	2GH-1111G-00-00	RUBBER, MOUNT 1 .....	16	
37	90338-10150-00	PLUG .....	16	
38	26H-11193-00-00	GASKET, HEAD COVER 1 .....	2	

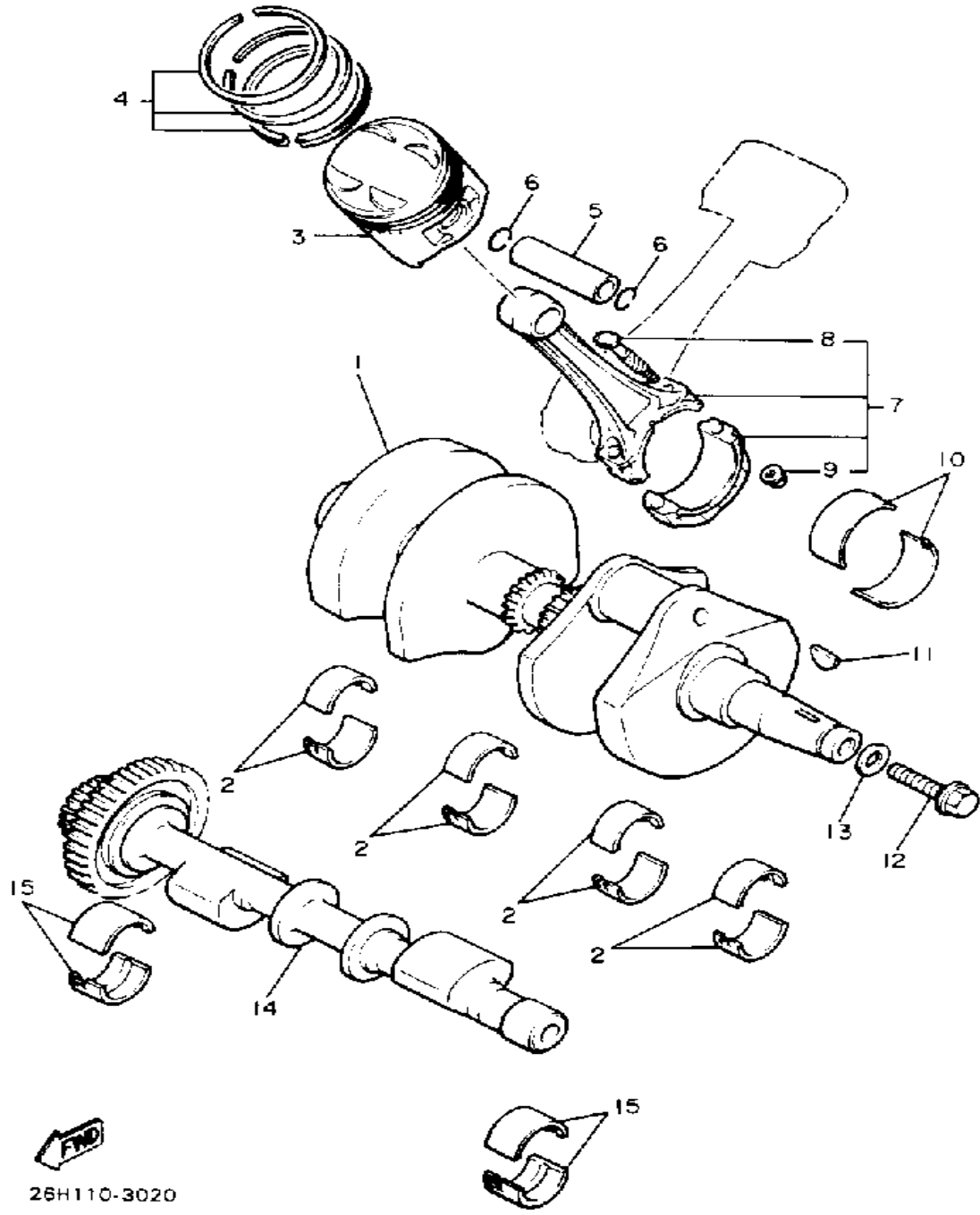
# CRANKSHAFT - PISTON



Ref. No.	Part Number	Description	Qty	Remarks
1	1FK-11400-00-00	CRANKSHAFT ASSEMBLY ...	1	
2	1FK-11416-01-00	PLANE BEARING, CRANKSHAFT 1 .....	8	UR BLUE
	1FK-11416-11-00	PLANE BEARING, CRANKSHAFT 1 .....	8	UR BLACK
	1FK-11416-21-00	PLANE BEARING, CRANKSHAFT 1 .....	8	UR BROWN
	1FK-11416-31-00	PLANE BEARING, CRANKSHAFT 1 .....	8	UR GREEN
	1FK-11416-41-00	PLANE BEARING, CRANKSHAFT 1 .....	8	UR YELLOW
	1FK-11416-51-00	PLANE BEARING, CRANKSHAFT 1 .....	8	UR PINK
	1FK-11416-61-00	PLANE BEARING, CRANKSHAFT 1 .....	8	UR RED
3	1NL-11631-00-A0	PISTON (STD) .....	4	
	1NL-11635-00-00	PISTON (0.25MM O/S) .....	4	ALT. PART
	1NL-11636-00-00	PISTON (0.50MM O/S) .....	4	ALT. PART
4	(1NL-11610-20-00)	PISTON RING SET .....	4	ALT. PART
	1NL-11610-00-00	PISTON RING SET (STD) .....	4	
	1NL-11610-10-00	PISTON RING SET (0.25MM O/S) .....	4	ALT. PART
5	1FK-11633-00-00	PIN, PISTON .....	4	
6	93450-19095-00	CIRCLIP .....	8	
7	26H-11650-00-00	CONNECTING ROD ASSEMBLY	4	
8	26H-11654-00-00	. BOLT, CONNECTING ROD ..	2	
9	90179-08327-00	. NUT .....	2	
10	1FK-11656-00-00	PLANE BEARING, CONNECTING ROD .....	8	UR BLUE
	1FK-11656-10-00	PLANE BEARING, CONNECTING ROD .....	8	UR BLACK
	1FK-11656-20-00	PLANE BEARING, CONNECTING ROD .....	8	UR BROWN

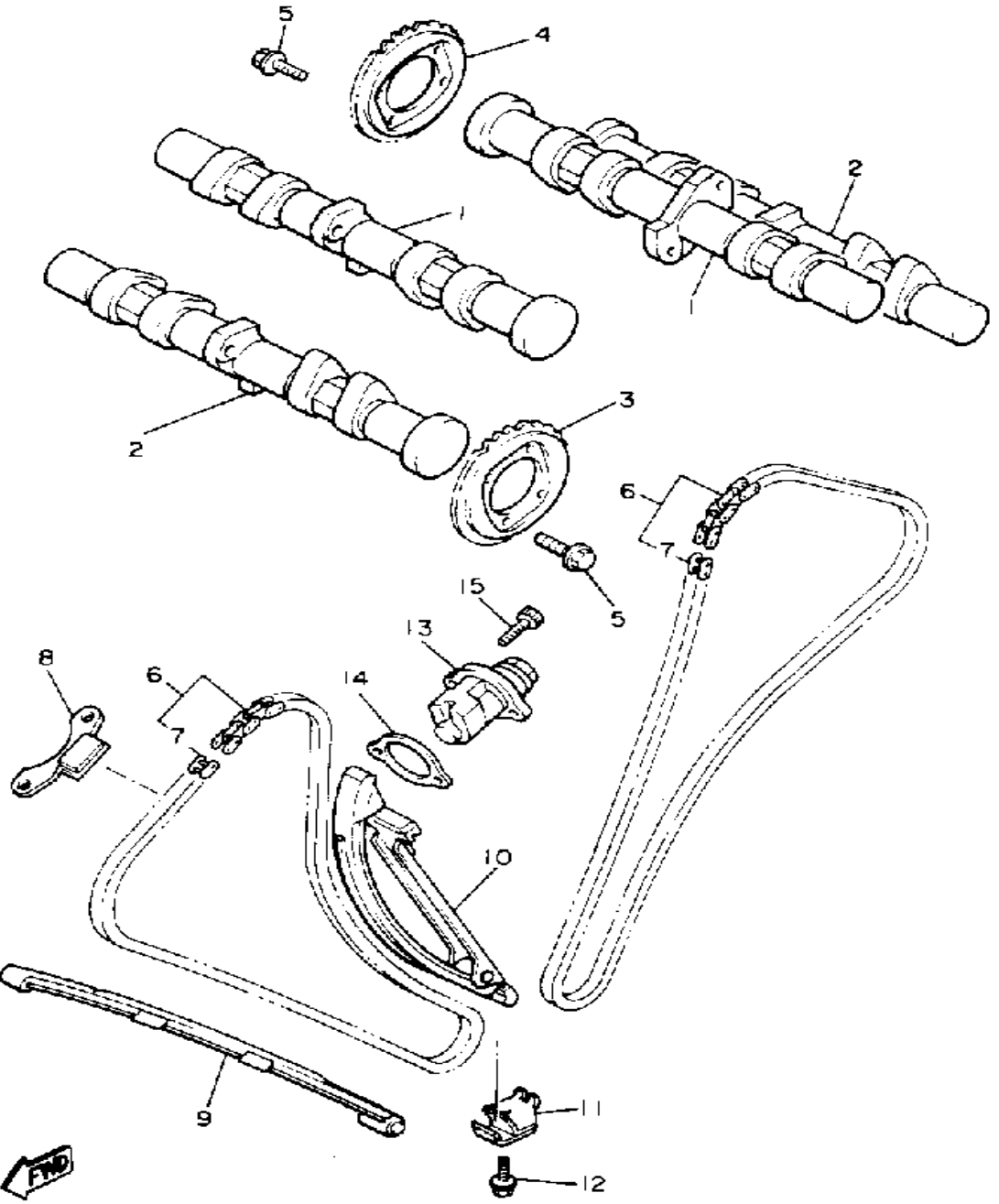
CONTINUED ON NEXT FRAME ➤

# CRANKSHAFT - PISTON



Ref. No.	Part Number	Description	Qty	Remarks
10	1FK-11656-30-00	PLANE BEARING, CONNECTING ROD .....	8	UR GREEN
	1FK-11656-40-00	PLANE BEARING, CONNECTING ROD .....	8	UR YELLOW
	1FK-11656-50-00	PLANE BEARING, CONNECTING ROD .....	8	UR PINK
11	90280-05029-00	KEY, WOODRUFF .....	1	
12	90105-12374-00	BOLT, WASHER BASED .....	1	
13	90201-121H0-00	WASHER, PLATE .....	1	
14	1FK-11500-00-00	BALANCER ASSEMBLY .....	1	
15	26H-11413-01-00	PLANE BEARING, BALANCE WEIGHT .....	4	UR BLUE
	26H-11413-11-00	PLANE BEARING, BALANCE WEIGHT .....	4	UR BLACK
	26H-11413-21-00	PLANE BEARING, BALANCE WEIGHT .....	4	UR BROWN
	26H-11413-31-00	PLANE BEARING, BALANCE WEIGHT .....	4	UR GREEN
	26H-11413-41-00	PLANE BEARING, BALANCE WEIGHT .....	4	UR YELLOW
	26H-11413-51-00	PLANE BEARING, BALANCE WEIGHT .....	4	YR PINK
	26H-11413-61-00	PLANE BEARING, BALANCE WEIGHT .....	4	UR RED

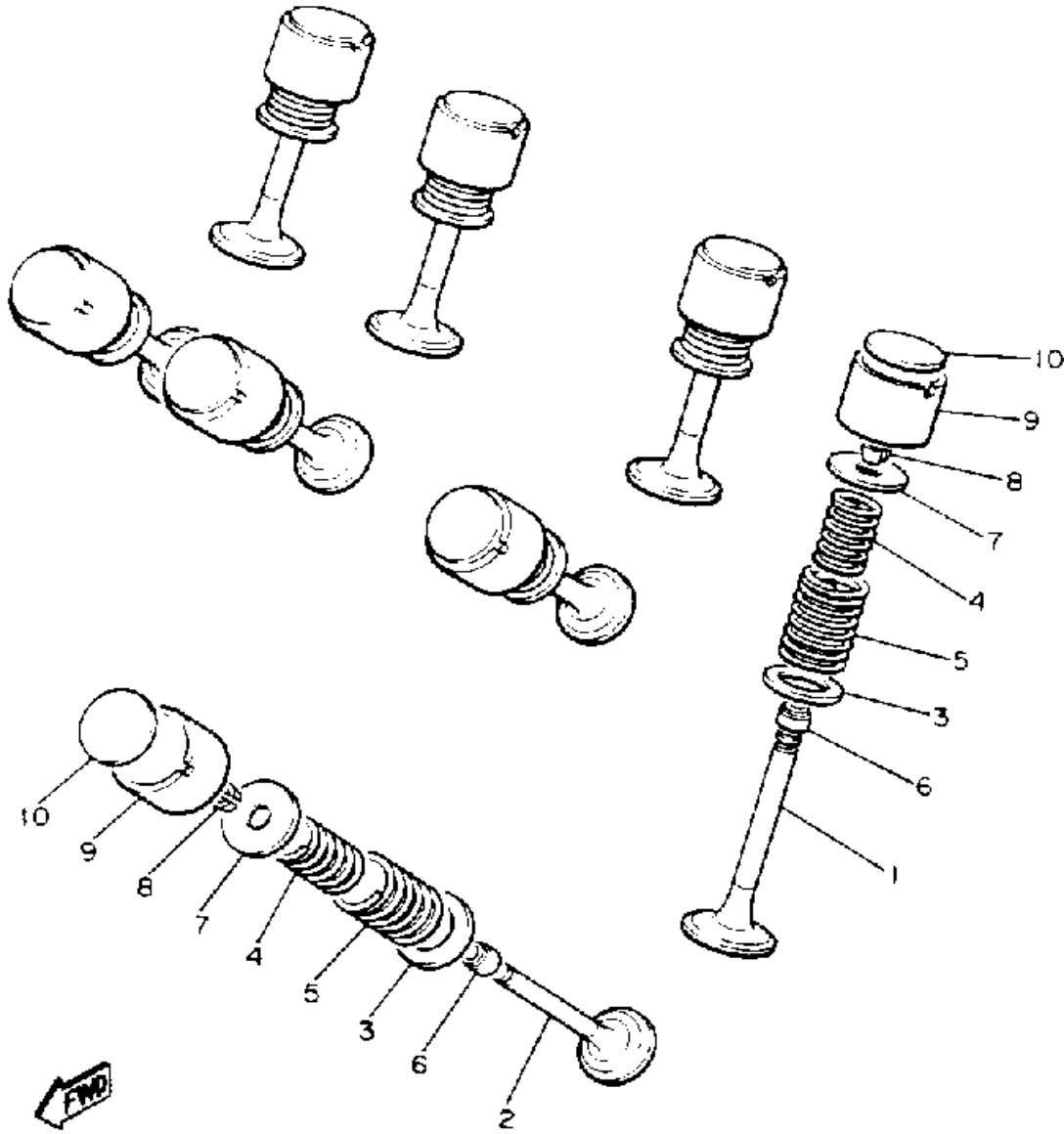
# CAMSHAFT - CHAIN



26H110-3030

Ref. No.	Part Number	Description	Qty	Remarks
1	(2WT-12171-00-00)	CAMSHAFT 1 .....	2	UR FOR CAL.
	1NL-12171-00-00	CAMSHAFT 1 .....	2	UR NON-CAL.
2	1NL-12181-00-00	CAMSHAFT 2 .....	2	
3	26H-12177-01-00	SPROCKET, CAM CHAIN .....	2	
4	26H-12176-02-00	SPROCKET, CAM CHAIN .....	2	
5	90105-07087-00	BOLT, WASHER BASED .....	8	
6	94580-81118-00	CHAIN (D.I.D 219FTS118LL) ..	2	
7	94600-02001-00	. JOINT, CHAIN (BF05M) .....	1	TSUBAKI-MOTO
8	26H-12241-00-00	GUIDE, STOPPER 2 .....	2	
9	26H-12251-00-00	DAMPER, CHAIN 1 .....	2	
10	26H-12252-00-00	DAMPER, CHAIN 2 .....	2	
11	26H-12233-00-00	PLATE, GUIDE STOPPER 1 ...	1	
12	95821-08025-00	BOLT, FLANGE .....	1	
13	26H-12210-03-00	TENSIONER ASSEMBLY, CAM CHAIN .....	2	
14	3JP-12213-00-00	GASKET, TENSIONER CASE ..	2	
15	91311-06020-00	BOLT, SOCKET HEAD .....	4	

# VALVE



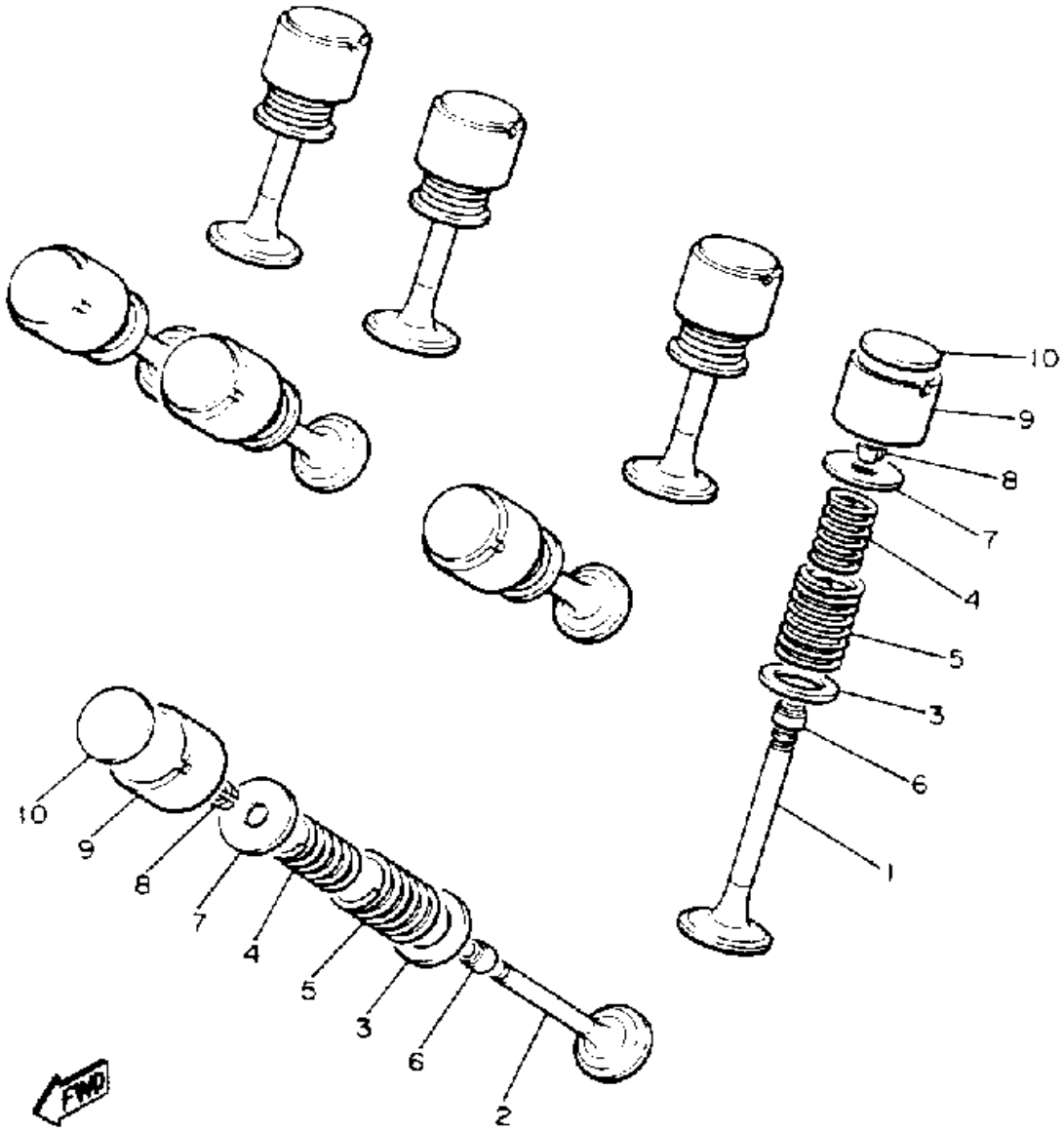
59J110-5030

Ref. No.	Part Number	Description	Qty	Remarks
1	26H-12111-00-00	VALVE, intake	8	
2	26H-12121-00-00	VALVE, exhaust	8	
3	26H-12116-00-00	SEAT, VALVE SPRING	16	
4	26H-12113-00-00	SPRING, VALVE INNER	16	
5	26H-12114-00-00	SPRING, VALVE OUTER	16	
6	26H-12119-00-00	SEAL, valve stem	16	
7	26H-12117-00-00	RETAINER, VALVE SPRING	16	
8	4G0-12118-00-00	COTTER, VALVE	32	
9	26H-12153-00-J0	LIFTER, VALVE (O/S)	16	UR
	26H-12153-00-Y0	LIFTER, VALVE	16	UR
10	26H-12168-00-00	PAD, ADJUSTING (2.00)	16	UR
	26H-12168-20-00	PAD, ADJUSTING (2.05)	16	UR
	26H-12168-40-00	PAD, ADJUSTING (2.10)	16	UR
	26H-12168-60-00	PAD, ADJUSTING (2.15)	16	UR
	26H-12168-80-00	PAD, ADJUSTING (2.20)	16	UR
	26H-12168-A0-00	PAD, ADJUSTING (2.25)	16	UR
	26H-12168-F0-00	PAD, ADJUSTING (2.30)	16	UR
	26H-12168-H0-00	PAD, ADJUSTING (2.35)	16	UR
	26H-12168-K0-00	PAD, ADJUSTING (2.40)	16	UR
	26H-12168-M0-00	PAD, ADJUSTING (2.45)	16	UR
	26H-12168-R0-00	PAD, ADJUSTING (2.50)	16	UR
	26H-12168-U0-00	PAD, ADJUSTING (2.55)	16	UR
	26H-12168-W0-00	PAD, ADJUSTING (2.60)	16	UR
	26H-12168-Y0-00	PAD, ADJUSTING (2.65)	16	UR
	26H-12169-10-00	PAD, ADJUSTING (2.70)	16	UR
	26H-12169-30-00	PAD, ADJUSTING (2.75)	16	UR
	26H-12169-50-00	PAD, ADJUSTING (2.80)	16	UR
	26H-12169-70-00	PAD, ADJUSTING (2.85)	16	UR
	26H-12169-90-00	PAD, ADJUSTING (2.90)	16	UR

CONTINUED ON NEXT FRAME ➤

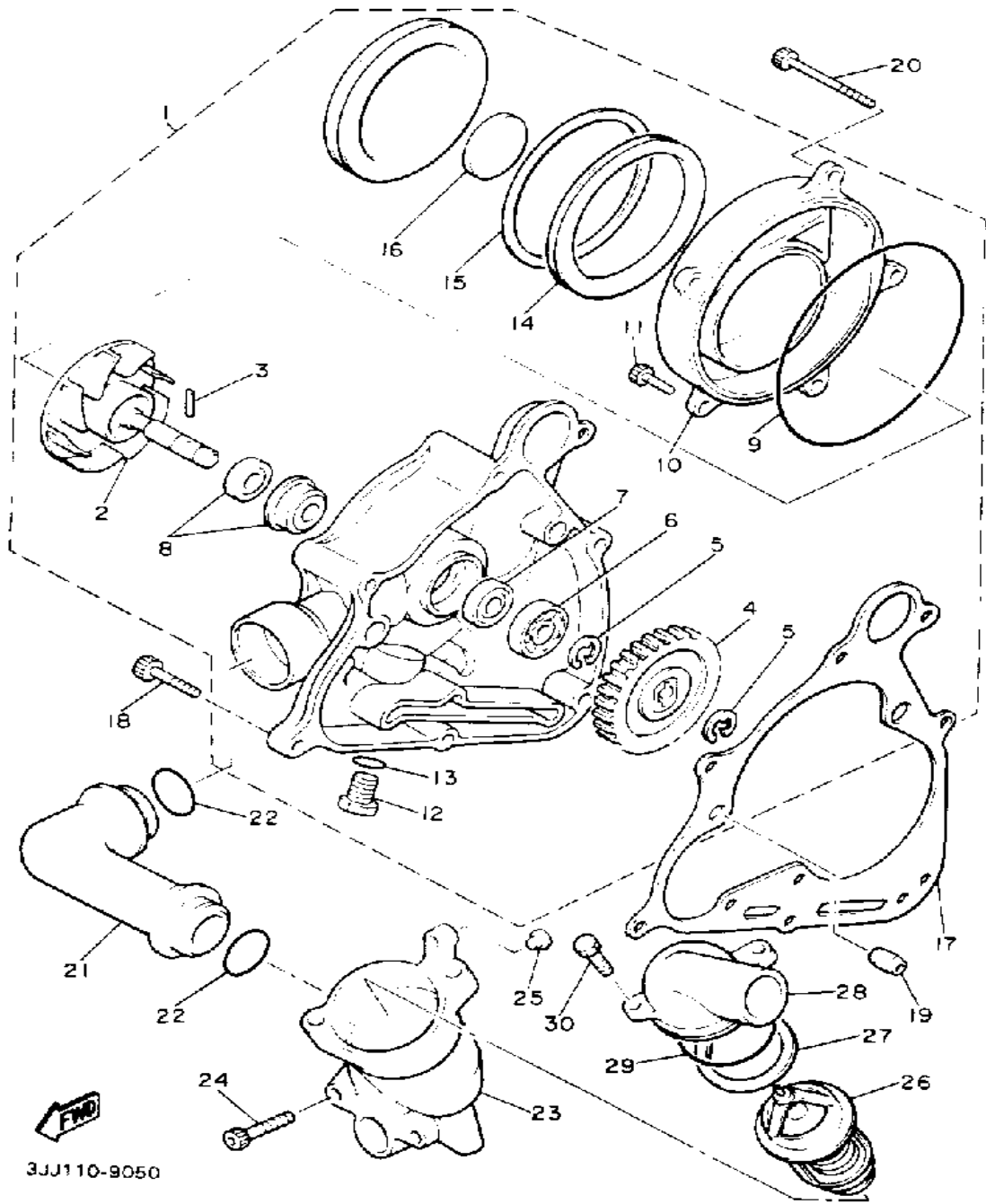
# VALVE

Ref. No.	Part Number	Description	Qty	Remarks
10	26H-12169-E0-00	PAD, ADJUSTING (2.95)	..... 16	UR
	26H-12169-G0-00	PAD, ADJUSTING (3.00)	..... 16	UR
	26H-12169-J0-00	PAD, ADJUSTING (3.05)	..... 16	UR
	26H-12169-L0-00	PAD, ADJUSTING (3.10)	..... 16	UR
	26H-12169-N0-00	PAD, ADJUSTING (3.15)	..... 16	UR
	26H-12169-T0-00	PAD, ADJUSTING (3.20)	..... 16	UR



59J110-5030

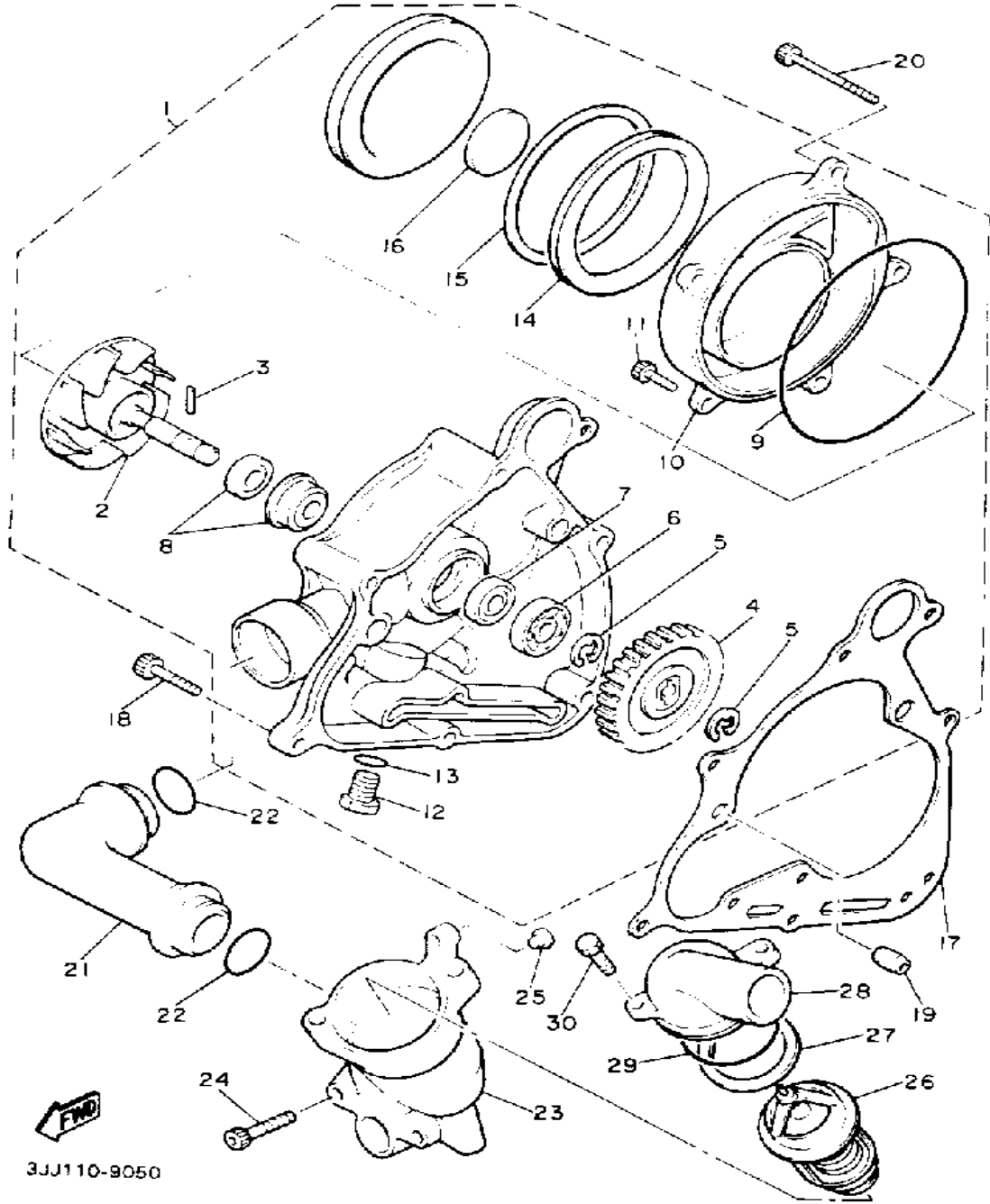
# WATER PUMP



Ref. No.	Part Number	Description	Qty	Remarks
1	26H-12420-01-00	WATER PUMP ASS'Y	1	
2	1FK-12450-00-00	. IMPELLER SHAFT ASSEMBLY	1	
3	93603-14026-00	. PIN, DOWEL	1	
4	26H-12459-00-00	. GEAR, IMPELLER SHAFT (31T)	1	
5	99009-10400-00	. CIRCLIP	2	
6	93306-00004-00	. BEARING	1	
7	93101-10090-00	. OIL SEAL	1	
8	11H-12438-00-00	. SEAL, MECHANICAL	1	
9	93211-16591-00	. O-RING	1	
10	26H-12422-00-00	. COVER, housing	1	
11	91311-06016-00	. BOLT, SOCKET HEAD	2	
12	3VD-13455-00-00	. PLUG	1	
13	214-11198-01-00	. GASKET	1	
14	26H-15337-01-00	. DAMPER 4	1	
15	90468-98132-00	. CLIP	1	
16	26H-15338-00-00	. DAMPER, ENGINE MOUNT 5	1	
17	3JP-12449-01-00	GASKET, WATER PUMP	1	
18	91311-06025-00	BOLT, SOCKET HEAD	4	
19	99530-10014-00	PIN, DOWEL	2	
20	91311-06065-00	BOLT	3	
21	26H-12446-00-00	JOINT	1	
22	93210-27778-00	O-RING	2	
23	26H-12417-00-00	HOUSING, THERMOSTAT	1	
24	91311-06020-00	BOLT, SOCKET HEAD	2	
25	90338-06134-00	PLUG	1	
26	11H-12410-00-00	THERMOSTAT ASSEMBLY	1	
27	11H-12412-00-00	SEAL, THERMOSTAT (11H-12412-01-00)	1	

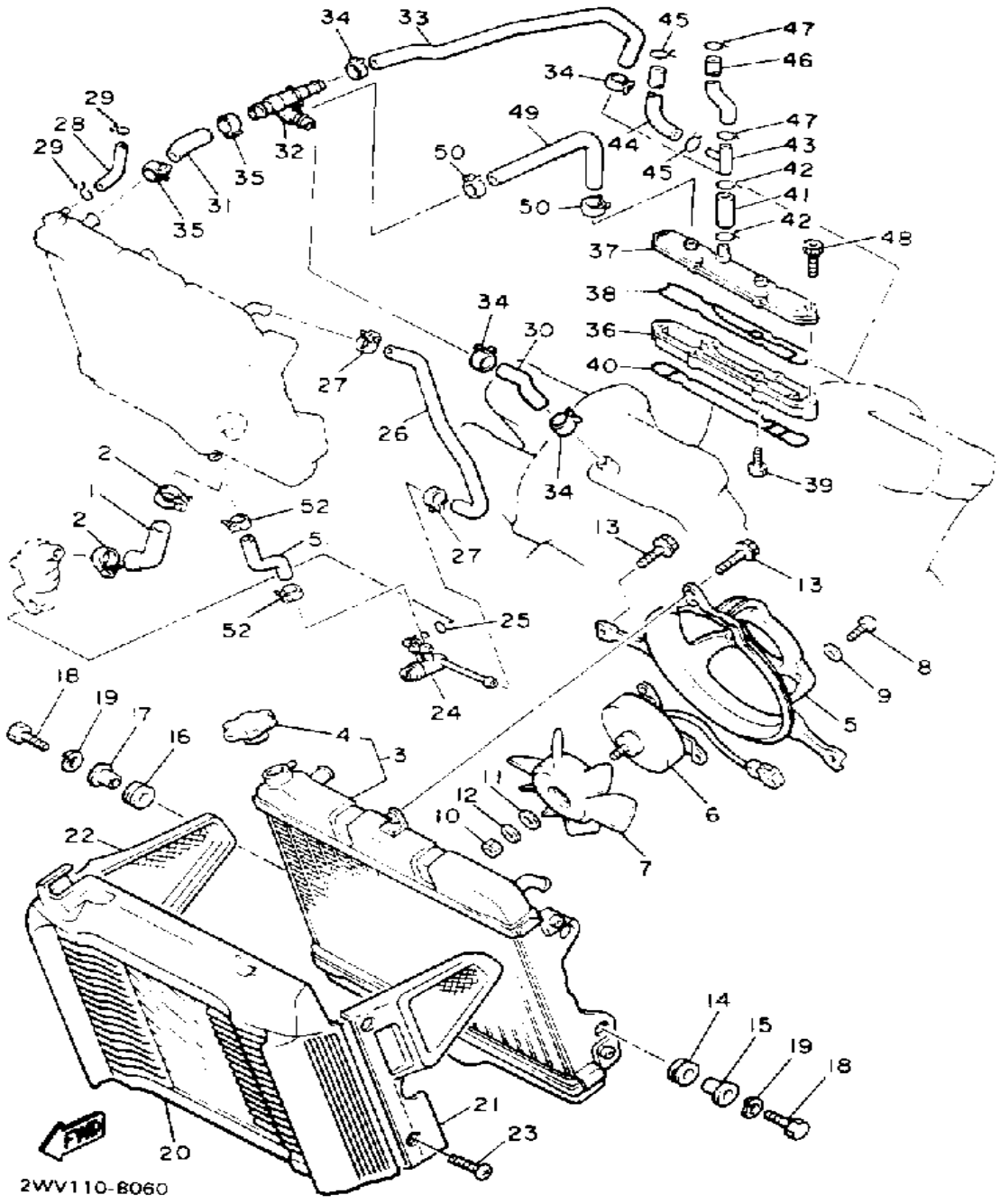
CONTINUED ON NEXT FRAME ►

# WATER PUMP



Ref. No.	Part Number	Description	Qty	Remarks
28	26H-12413-00-00	COVER, THERMOSTAT	1	
29	93210-45511-00	O-RING	1	
30	90110-06084-00	BOLT, HEXAGON SOCKET HEAD	2	

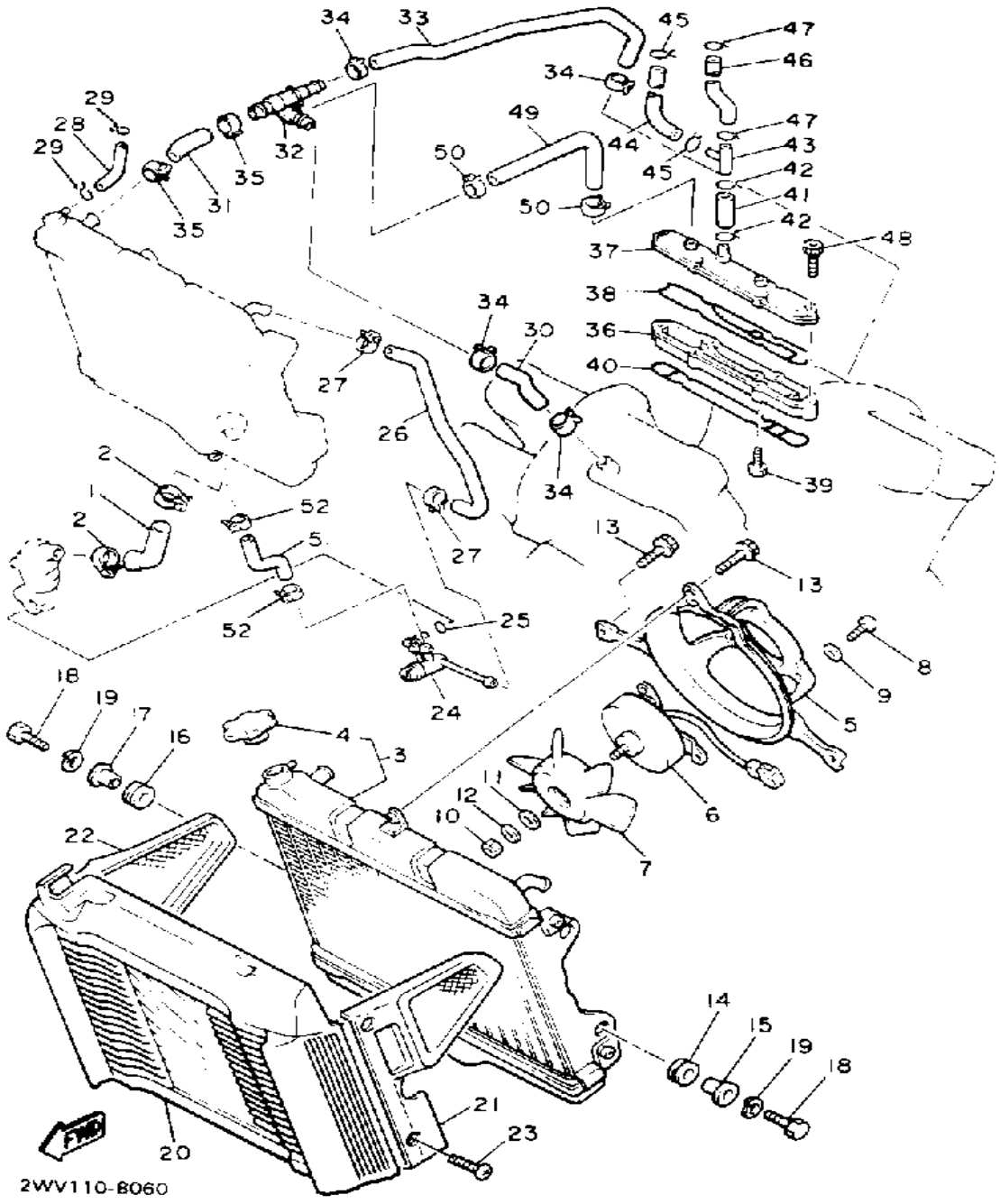
# RADIATOR - HOSE



Ref. No.	Part Number	Description	Qty	Remarks
1	26H-12578-00-00	HOSE 3	1	
2	90460-38285-00	CLAMP, HOSE	2	
3	26H-12461-00-00	RADIATOR ASS'Y	1	
4	26H-12462-00-00	. CAP, RADIATOR	1	
5	26H-12620-00-00	AIR SHROUD ASS'Y	1	
6	26H-12630-00-00	MOTOR ASSEMBLY	1	
7	26H-12611-00-00	FAN	1	
8	98580-05010-00	SCREW, PAN HEAD	3	
9	92901-05600-00	WASHER, PLATE	3	
10	95380-05600-00	NUT	1	
11	11H-12673-00-00	WASHER	1	
12	92990-05300-00	WASHER, INTERNAL TOOTH	1	
13	90119-06044-00	BOLT, WITH WASHER	3	
14	90480-18276-00	GROMMET	2	
15	90387-07037-00	COLLAR	2	
16	90480-19283-00	GROMMET	2	
17	90387-06033-00	COLLAR	2	
18	97011-06020-00	BOLT	4	
19	92995-06100-00	WASHER, SPRING	4	
20	26H-1246F-01-00	COVER 3	1	
21	26H-1246G-01-00	COVER 4	1	
22	26H-1246H-01-00	COVER 5	1	
23	90154-05059-00	SCREW, BINDING	4	
24	26H-12560-00-00	DRAIN COCK ASS'Y	1	
25	93210-14104-00	O-RING	1	
26	26H-12566-01-00	PIPE, bypass	1	
27	90460-15227-00	CLAMP, HOSE	2	
28	90445-09107-00	HOSE	1	
29	90467-08003-00	CLIP	2	

CONTINUED ON NEXT FRAME ➤

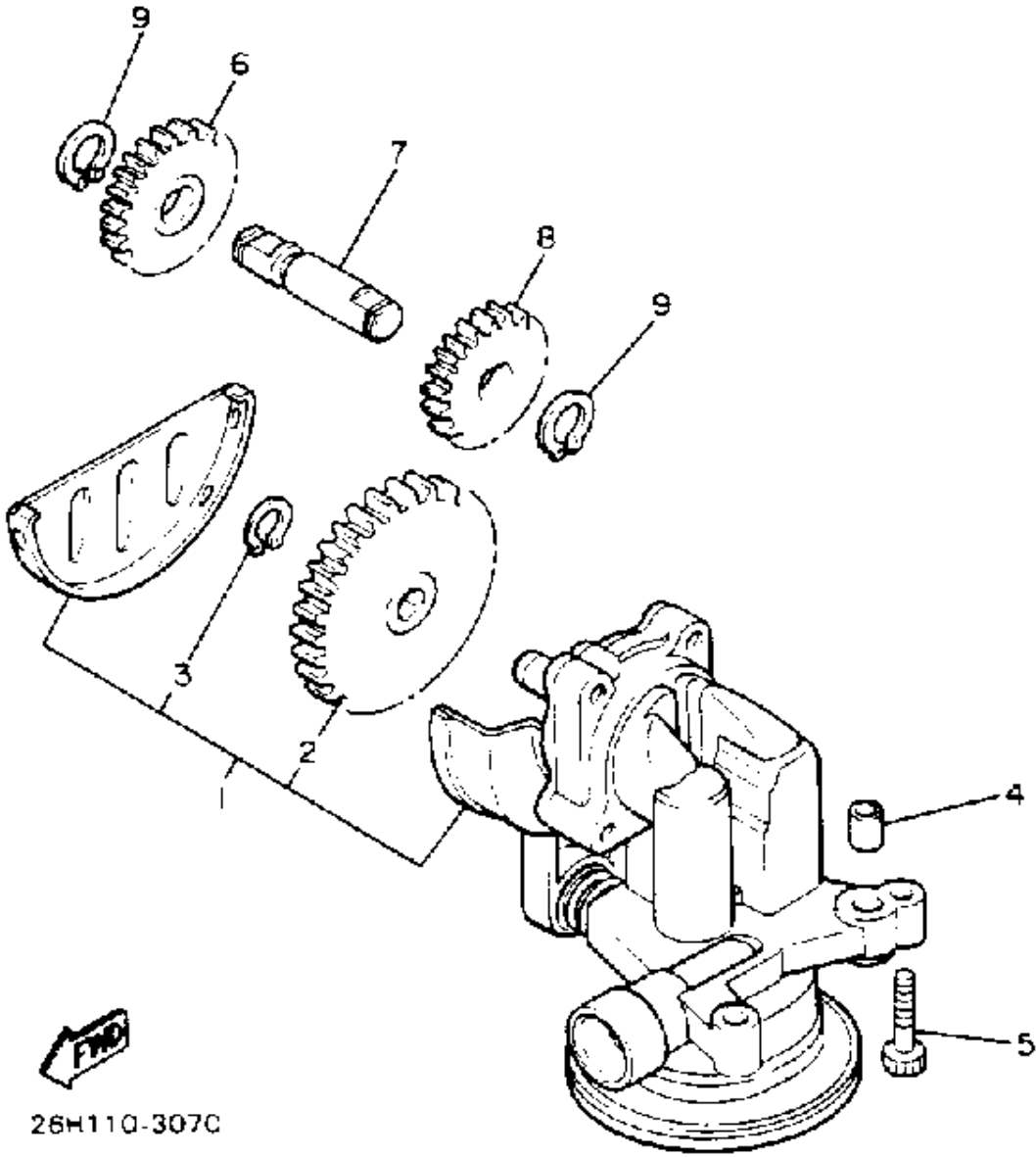
# RADIATOR - HOSE



2WV110-B060

Ref. No.	Part Number	Description	Qty	Remarks
30	26H-12576-01-00	HOSE 1	1	
31	26H-12579-01-00	HOSE 4	1	
32	1NL-12479-01-00	JOINT	1	
33	26H-12577-01-00	HOSE 2	1	
34	90467-23067-00	CLIP	4	
35	90460-38285-00	CLAMP, HOSE	2	
36	26H-1246A-02-00	COVER 1	1	
	26H-1246A-02-00	COVER 1	3	
37	26H-1246E-02-00	COVER 2	1	
38	26H-12428-00-00	GASKET, HOUSING COVER 2	1	
39	91311-06016-00	BOLT, SOCKET HEAD	4	
40	26H-12427-00-00	GASKET, HOUSING COVER 1	1	
41	90445-162A0-00	HOSE	1	
42	90467-14015-00	CLIP	2	
43	90413-12017-00	WAY 3	1	
44	90445-11637-00	HOSE	1	
45	90467-11102-00	CLIP, SCISSOR	2	
46	47G-11166-00-00	PIPE, breather 1	1	
47	90467-14015-00	CLIP	2	
48	91311-06040-00	BOLT	6	
49	26H-12589-00-00	HOSE 6	1	
50	90467-11090-00	CLIP	2	
51	26H-12588-01-00	HOSE 5	1	
52	90460-15227-00	CLAMP, HOSE	2	

# OIL PUMP

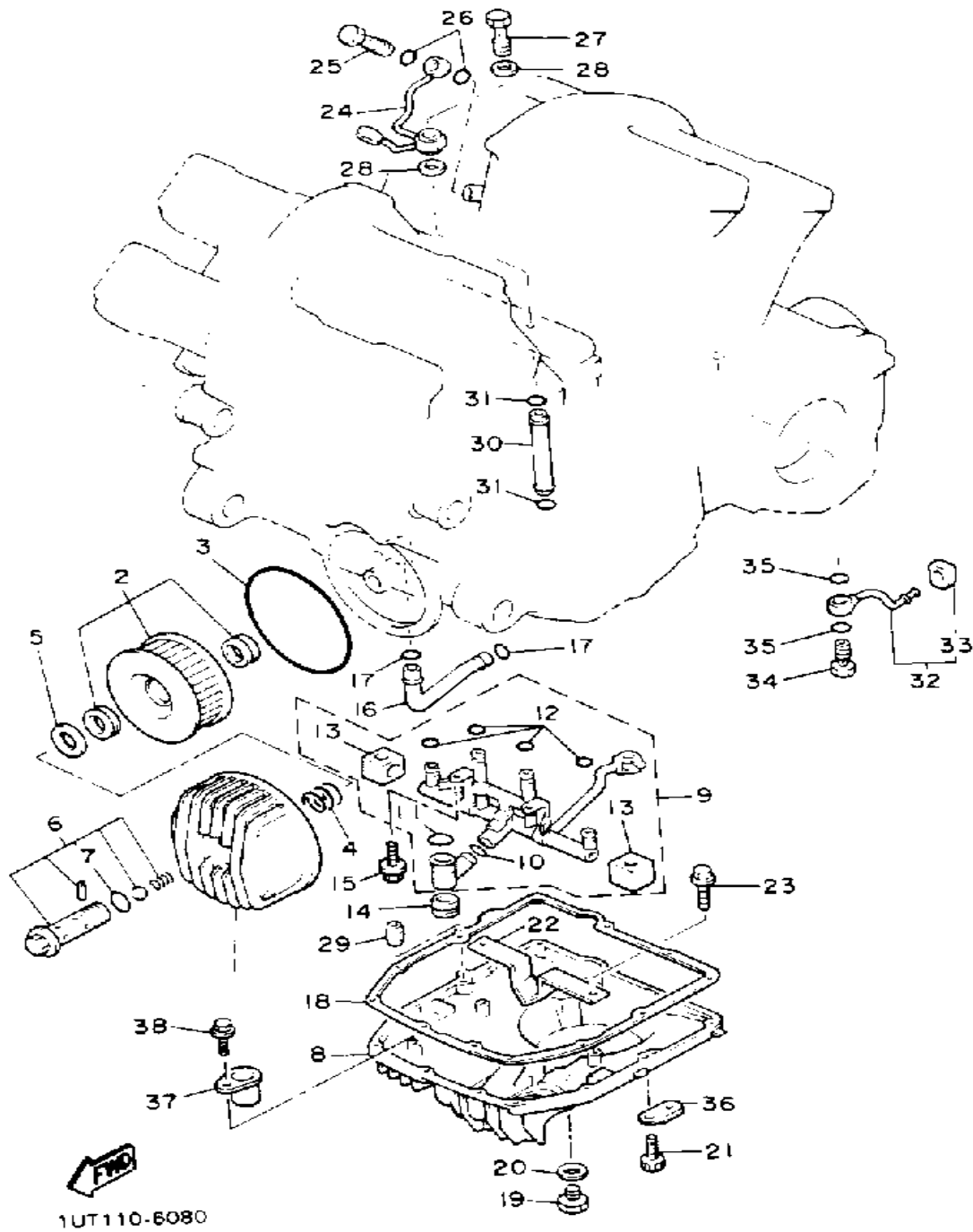


Ref. No.	Part Number	Description	Qty	Remarks
1	26H-13300-02-00	OIL PUMP ASSEMBLY	1	
2	26H-13325-00-00	. GEAR, PUMP DRIVEN (28T)	1	
3	99009-11400-00	. CIRCLIP	1	
4	99530-10014-00	PIN, DOWEL	2	
5	91316-06025-00	BOLT	3	
6	26H-13351-01-00	GEAR, PUMP IDLE 1 (16T)	1	
7	26H-13342-00-00	SHAFT, IDLE GEAR	1	
8	26H-13361-00-00	GEAR, PUMP IDLE 2 (15T)	1	
9	99009-12400-00	CIRCLIP	2	



26H110-307C

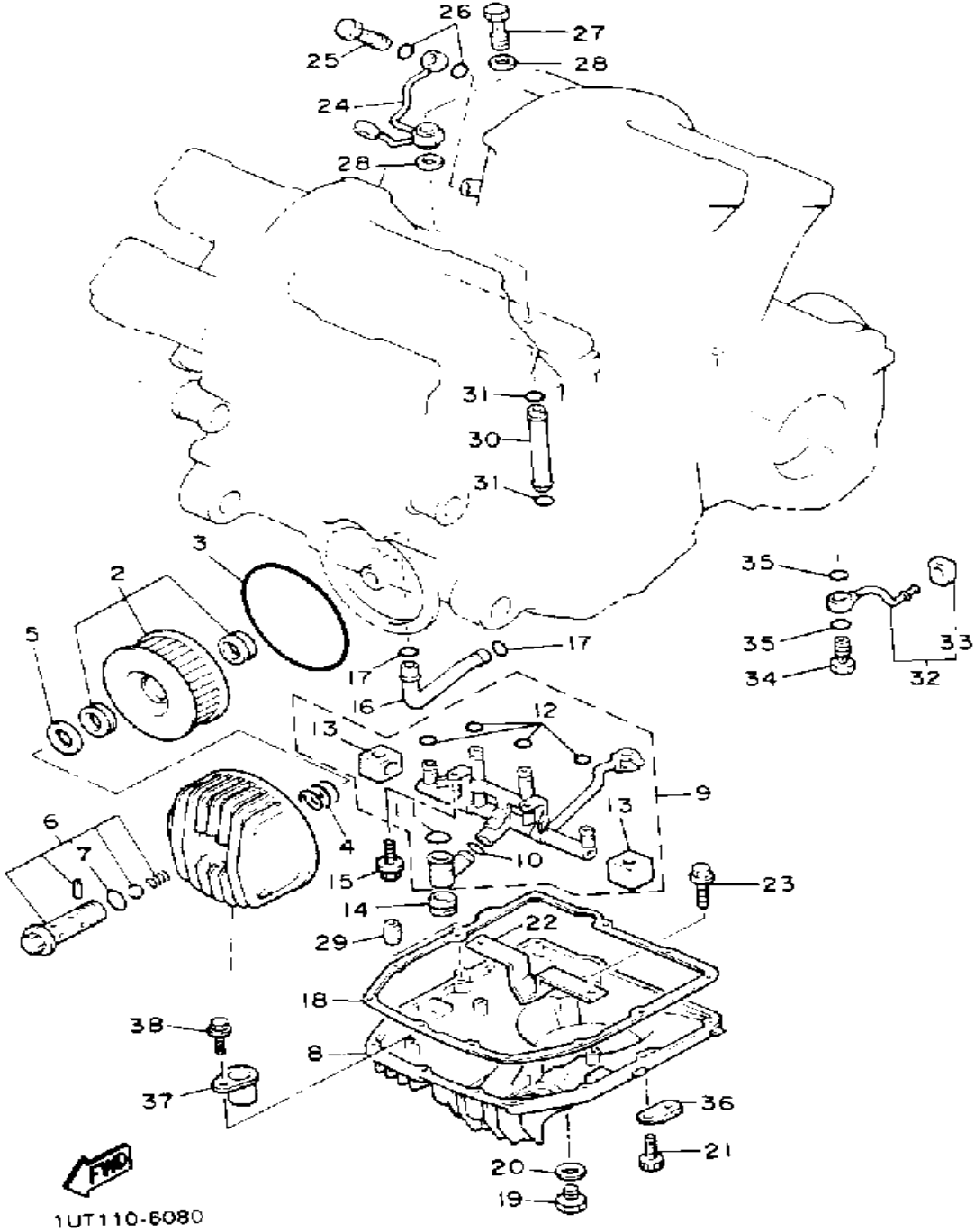
# OIL FILTER



Ref. No.	Part Number	Description	Qty	Remarks
1	26H-13447-01-00	COVER, oil element (26H-13447-00)	1	
2	1J7-13441-10-00	ELEMENT, OIL CLEANER	1	
3	93211-19413-00	O-RING	1	
4	90501-18433-00	SPRING, COMPRESSION	1	
5	90201-21608-00	WASHER, PLATE	1	
6	2H7-13340-00-00	BY-PASS VALVE ASSEMBLY	1	
7	93210-16314-00	. O-RING	1	
8	26H-13417-01-00	COVER, STRAINER	1	
9	26H-Y1319-01-00	DELIVERY PIPE ASS'Y	1	
10	93210-13361-00	. O-RING	1	
11	93210-14637-00	. O-RING	1	
12	93210-06667-00	. O-RING	4	
13	26H-15365-00-00	. GROMMET	2	
14	26H-15366-01-00	GROMMET	1	
15	95811-06012-00	BOLT, FLANGE	2	
16	26H-13161-00-00	PIPE, DELIVERY 1	1	
17	93210-14579-00	O-RING	2	
18	3JP-13414-00-00	GASKET, STRAINER COVER	1	
19	3VD-13455-00-00	PLUG	1	
20	214-11198-01-00	GASKET	1	
21	90110-06138-00	BOLT, HEX SKT HEAD	12	
22	26H-13337-01-00	PLATE, BAFFLE LOWER	1	
23	95811-06012-00	BOLT, FLANGE	2	
24	26H-13181-02-00	PIPE, DELIVERY 3 (26H-13181-03-00)	1	
25	90401-08038-00	BOLT, UNION	2	
26	90201-08087-00	WASHER, PLATE	4	
27	90401-10108-00	BOLT, UNION	1	

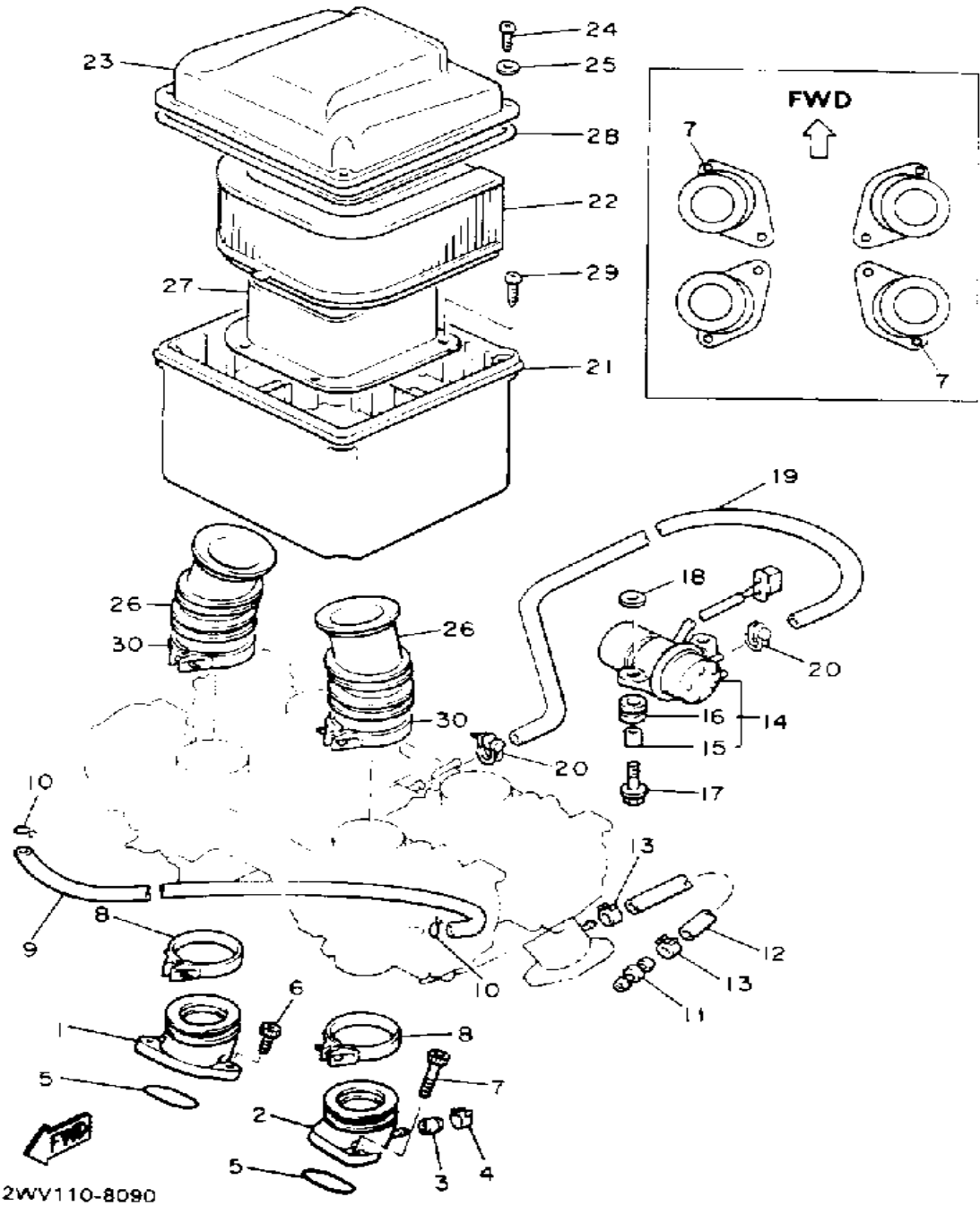
CONTINUED ON NEXT FRAME ►

# OIL FILTER



Ref. No.	Part Number	Description	Qty	Remarks
28	90201-11723-00	WASHER, PLATE .....	2	
29	99510-08016-00	PIN, DOWEL .....	2	
30	26H-13171-00-00	PIPE, DELIVERY 2 .....	1	
31	93210-06667-00	O-RING .....	2	
32	26H-13416-00-00	PIPE, OIL 1 (26H-13416-01-00) .	1	
33	26H-13476-00-00	. GASKET .....	1	
34	90401-08093-00	BOLT, UNION .....	1	
35	90201-08087-00	WASHER, PLATE .....	2	
36	90465-08193-00	CLAMP .....	1	
37	1FK-13151-00-00	STAY .....	1	
38	95811-06012-00	BOLT, FLANGE .....	1	

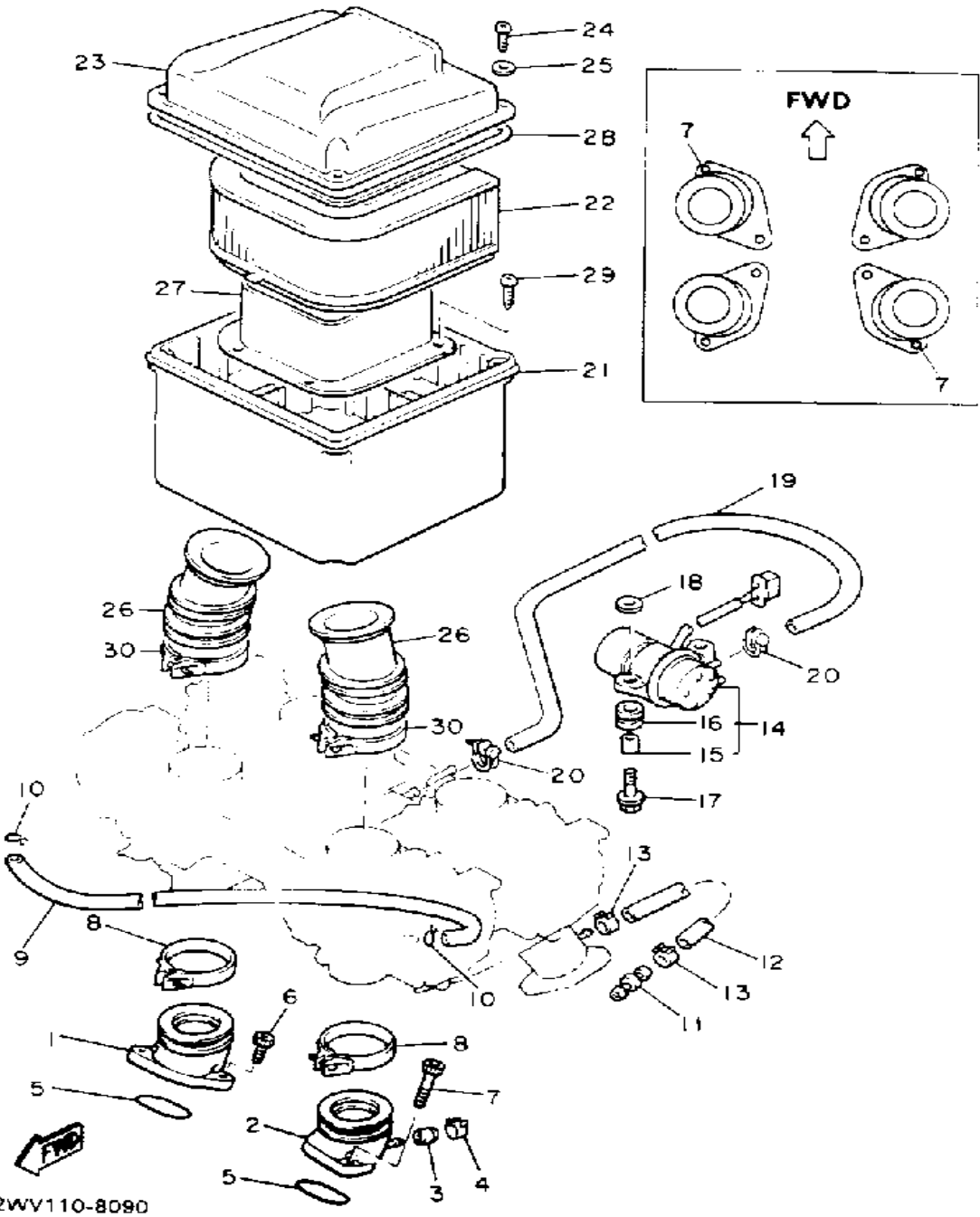
# AIR FILTER



Ref. No.	Part Number	Description	Qty	Remarks
1	26H-13586-00-00	JOINT, carburetor 1	2	
2	26H-13596-00-00	JOINT, carburetor 2	2	
3	16G-13569-00-00	PLUG, BLIND	3	
4	90467-10039-00	CLIP	3	
5	93210-45578-00	O-RING	4	
6	91316-06020-00	BOLT, SOCKET HEAD	6	
7	91311-06016-00	BOLT, SOCKET HEAD	2	
8	1AE-13575-00-00	BAND	4	
9	90445-08674-00	HOSE	1	
10	90467-08021-00	CLIP	2	
11	41R-14489-00-00	NOZZLE	1	
12	90445-090A9-00	HOSE	1	
13	90467-08092-00	CLIP	2	
14	1NL-13907-00-00	FUEL PUMP COMP	1	
15	90387-060A7-00	. COLLAR	2	
16	90480-12475-00	. GROMMET	2	
17	95816-06016-00	BOLT, FLANGE	2	
18	90209-06174-00	WASHER	2	
19	90445-12722-00	HOSE	1	
20	90460-11149-00	CLAMP, HOSE	2	
21	26H-14411-00-00	CASE, air cleaner 1	1	
22	26H-14451-00-00	ELEMENT, air cleaner	1	
23	26H-14412-00-00	CAP, cleaner case 1	1	
24	98511-05020-00	SCREW, PAN HEAD	4	
25	92901-05600-00	WASHER, PLATE	4	
26	26H-14453-00-00	JOINT, air cleaner 1	4	
27	26H-14437-00-00	DUCT	1	
28	1VJ-14462-00-00	SEAL	1	
29	97780-60512-00	SCREW, TAPPING	4	

CONTINUED ON NEXT FRAME ➤

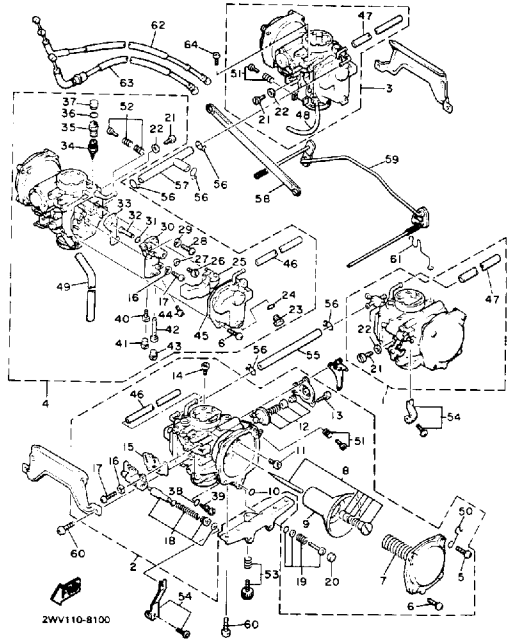
# AIR FILTER



Ref. No.	Part Number	Description	Qty	Remarks
----------	-------------	-------------	-----	---------

30	90460-58015-00	CLAMP, HOSE .....	4	
----	----------------	-------------------	---	--

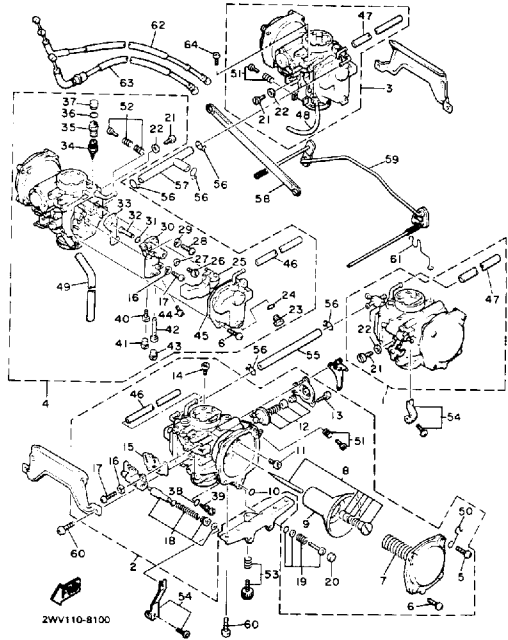
# CARBURETOR (NON-CALIFORNIA MODEL)



Ref. No.	Part Number	Description	Qty	Remarks
1	1NL-14901-01-00	CARBURETOR ASS'Y 1	1	
2	1NL-14902-01-00	CARBURETOR ASS'Y 2	1	
3	1NL-14903-01-00	CARBURETOR ASS'Y 3	1	
4	1NL-14904-01-00	CARBURETOR ASS'Y 4	1	
5	90157-05050-00	. SCREW, PAN HEAD	1	
6	98580-05012-00	. SCREW, PAN HEAD	7	
7	1FK-14933-00-00	. SPRING, DIAPHRAGM	1	
8	1NL-1490J-00-00	. NEEDLE SET	1	
9	1FK-14940-00-00	. DIAPHRAGM ASSEMBLY	1	
10	93210-03119-00	. O-RING	1	
11	3G2-14231-34-00	. JET, PILOT AIR (#170)	1	
12	3LD-1490H-00-00	. DIAPHRAGM SET, 5 (26H-1490H-00-00)	1	
13	98511-04012-00	. SCREW, PAN HEAD	3	2
	98580-04010-00	. SCREW, PAN HEAD	3	4
14	3G2-14231-16-00	. JET, MAIN #80 (#80)	1	
15	3JB-14536-00-00	. GASKET	1	
16	92901-04100-00	. WASHER, SPRING	4	
17	98511-04012-00	. SCREW, PAN HEAD	4	
18	11H-1410A-00-00	. STARTER SET	1	
	UNA-VAILA-BL-EI	0 0		
19	12R-14105-00-00	. PILOT SCREW SET	1	
20	3F9-14118-00-00	. CAP	1	
21	341-14991-00-00	. SCREW	1	4
22	26H-14952-00-00	. WASHER	1	4
23	22U-14115-00-00	. PLUG, SCREW	1	
24	22U-14561-00-00	. O-RING	1	
25	1FK-14985-00-00	. FLOAT	1	
26	22U-14565-00-00	. SCREW	1	

CONTINUED ON NEXT FRAME ►

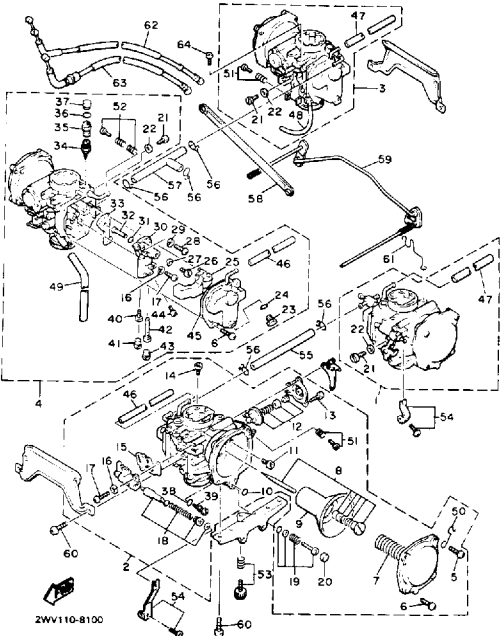
# CARBURETOR (NON-CALIFORNIA MODEL)



Ref. No.	Part Number	Description	Qty	Remarks
27	137-14153-00-00	. WASHER, MAIN JET	1	
28	98506-04018-00	. SCREW, PAN HEAD	1	
29	92901-04100-00	. WASHER, SPRING	1	
30	26H-1411A-00-09	. BLOCK JET ASSEMBLY (26H-1411A-00-00)	1	
31	22U-14147-00-00	. O-RING	1	
32	26H-14941-90-00	. NOZZLE, MAIN	1	
33	3JB-14199-00-00	. GASKET	1	
34	1FK-14190-15-00	. NEEDLE VALVE ASSEMBLY	1	
35	1J7-14994-00-00	. NET, FILTER	1	
36	1FK-14147-00-00	. O-RING	1	
37	41R-14118-01-00	. CAP	1	
38	241-14147-00-00	. O-RING	1	
39	2L1-14191-00-00	. PLUG, DRAIN	1	
40	4G0-14142-37-A0	. JET, PILOT #37.5 (4G0-14142-37-00)	1	
41	22V-14968-00-00	. CAP	1	
42	26H-1414G-00-00	. PIPE, MAIN BREED	1	
43	22U-14968-00-00	. CAP	1	
44	3G2-14231-25-00	. JET, MAIN (#125)	1	
45	22V-14147-00-00	. O-RING	1	
46	90445-111F4-00	. PIPE (1NL-14197-00)	1	4
47	1UM-14197-00-00	. PIPE	1	3
48	90445-07419-00	. HOSE	1	3
49	90445-07419-00	. HOSE	1	4
50	(31M-14139-00-00)	CLIP, PIPE	1	FOR CARB #2
51	41W-1490K-00-00	. STOP SCREW SET	1	3
52	41V-1490K-00-00	. STOP SCREW SET	1	FOR CARB #4
53	41V-14103-00-00	THROTTLE SCREW SET	1	

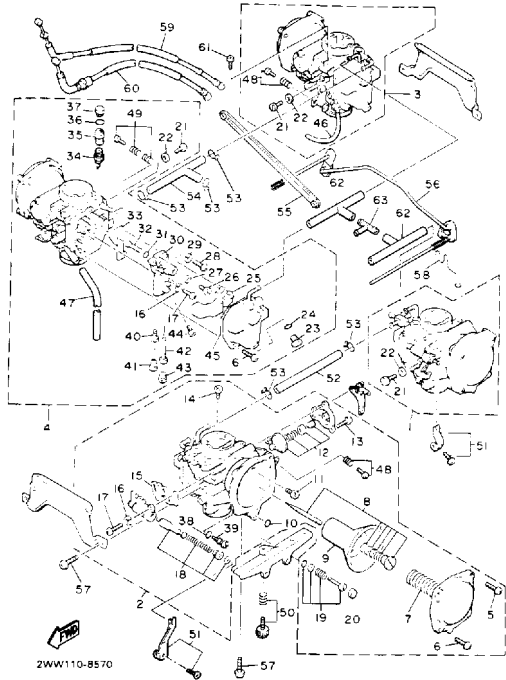
CONTINUED ON NEXT FRAME ►

# CARBURETOR (NON-CALIFORNIA MODEL)



Ref. No.	Part Number	Description	Qty	Remarks
54	(41V-1490M-00-00)	STARTER LEVR SET 2	4	
55	31H-14987-00-00	HOSE	1	
56	90467-10008-00	CLIP	5	
57	26H-14987-00-00	HOSE	1	
58	(41V-14504-00-00)	ROD SET	1	
59	41V-1490L-00-00	STARTER LEVER SET, 1	1	
60	98580-06010-00	SCREW, PAN HEAD (92503-06010)	16	
61	(26H-14139-00-00)	CLIP, PIPE	1	
62	41V-2631J-00-00	CABLE, throttle 4	1	
63	41V-26313-01-00	CABLE, throttle 3	1	
64	98580-05010-00	SCREW, PAN HEAD	9	

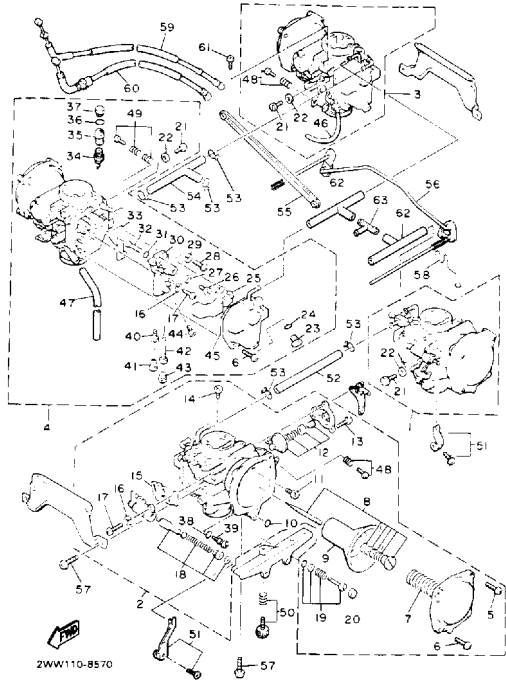
# CARBURETOR (CALIFORNIA MODEL ONLY)



Ref. No.	Part Number	Description	Qty	Remarks
1	1UN-14901-01-00	CARBURETOR ASS'Y 1	1	
2	1UN-14902-01-00	CARBURETOR ASS'Y 2	1	
3	1UN-14903-01-00	CARBURETOR ASS'Y 3	1	
4	1UN-14904-01-00	CARBURETOR ASS'Y 4	1	
5	90157-05050-00	. SCREW, PAN HEAD	1	
6	98580-05012-00	. SCREW, PAN HEAD	7	
7	1FK-14933-00-00	. SPRING, DIAPHRAGM	1	
8	1NL-1490J-00-00	. NEEDLE SET	1	
9	1FK-14940-00-00	. DIAPHRAGM ASSEMBLY	1	
10	93210-03119-00	. O-RING	1	
11	3G2-14231-34-00	. JET, PILOT AIR (#170)	1	
12	3LD-1490H-00-00	. DIAPHRAGM SET, 5 (26H-1490H-00-00)	1	
13	98511-04012-00	. SCREW, PAN HEAD	3	2
	98580-04010-00	. SCREW, PAN HEAD	3	4
14	3G2-14231-16-00	. JET, MAIN #80 (#80)	1	
15	3JB-14536-00-00	. GASKET	1	
16	92901-04100-00	. WASHER, SPRING	4	
17	98511-04012-00	. SCREW, PAN HEAD	4	
18	11H-1410A-00-00	. STARTER SET	1	
19	12R-14105-00-00	. PILOT SCREW SET	1	
20	3F9-14118-00-00	. CAP	1	
21	341-14991-00-00	. SCREW	1	4
22	26H-14952-00-00	. WASHER	1	4
23	22U-14115-00-00	. PLUG, SCREW	1	
24	22U-14561-00-00	. O-RING	1	
25	1FK-14985-00-00	. FLOAT	1	
26	22U-14565-00-00	. SCREW	1	
27	137-14153-00-00	. WASHER, MAIN JET	1	

CONTINUED ON NEXT FRAME ►

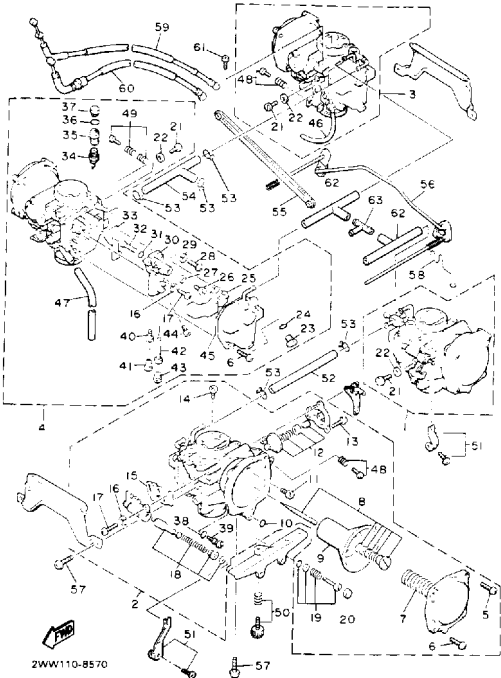
# CARBURETOR (CALIFORNIA MODEL ONLY)



Ref. No.	Part Number	Description	Qty	Remarks
28	98506-04018-00	. SCREW, PAN HEAD	1	
29	92901-04100-00	. WASHER, SPRING	1	
30	26H-1411A-00-09	. BLOCK JET ASSEMBLY (26H-1411A-00-00)	1	
31	22U-14147-00-00	. O-RING	1	
32	26H-14941-90-00	. NOZZLE, MAIN	1	
33	3JB-14199-00-00	. GASKET	1	
34	1FK-14190-15-00	. NEEDLE VALVE ASSEMBLY	1	
35	1J7-14994-00-00	. NET, FILTER	1	
36	1FK-14147-00-00	. O-RING	1	
37	41R-14118-01-00	. CAP	1	
38	241-14147-00-00	. O-RING	1	
39	2L1-14191-00-00	. PLUG, DRAIN	1	
40	4G0-14142-37-A0	. JET, PILOT #37.5 (4G0-14142-37-00)	1	
41	22V-14968-00-00	. CAP	1	
42	26H-1414G-00-00	. PIPE, MAIN BREED	1	
43	22U-14968-00-00	. CAP	1	
44	3G2-14231-25-00	. JET, MAIN (#125)	1	
45	22V-14147-00-00	. O-RING	1	
46	90445-07419-00	. HOSE	1	3
47	90445-07419-00	. HOSE	1	4
48	41W-1490K-00-00	. STOP SCREW SET	1	3
49	41V-1490K-00-00	. STOP SCREW SET	1	FOR CARB #4
50	41V-14103-00-00	THROTTLE SCREW SET	1	
51	(41V-1490M-00-00)	STARTER LEVR SET 2	4	
52	31H-14987-00-00	HOSE	1	
53	90467-10008-00	CLIP	5	
54	26H-14987-00-00	HOSE	1	

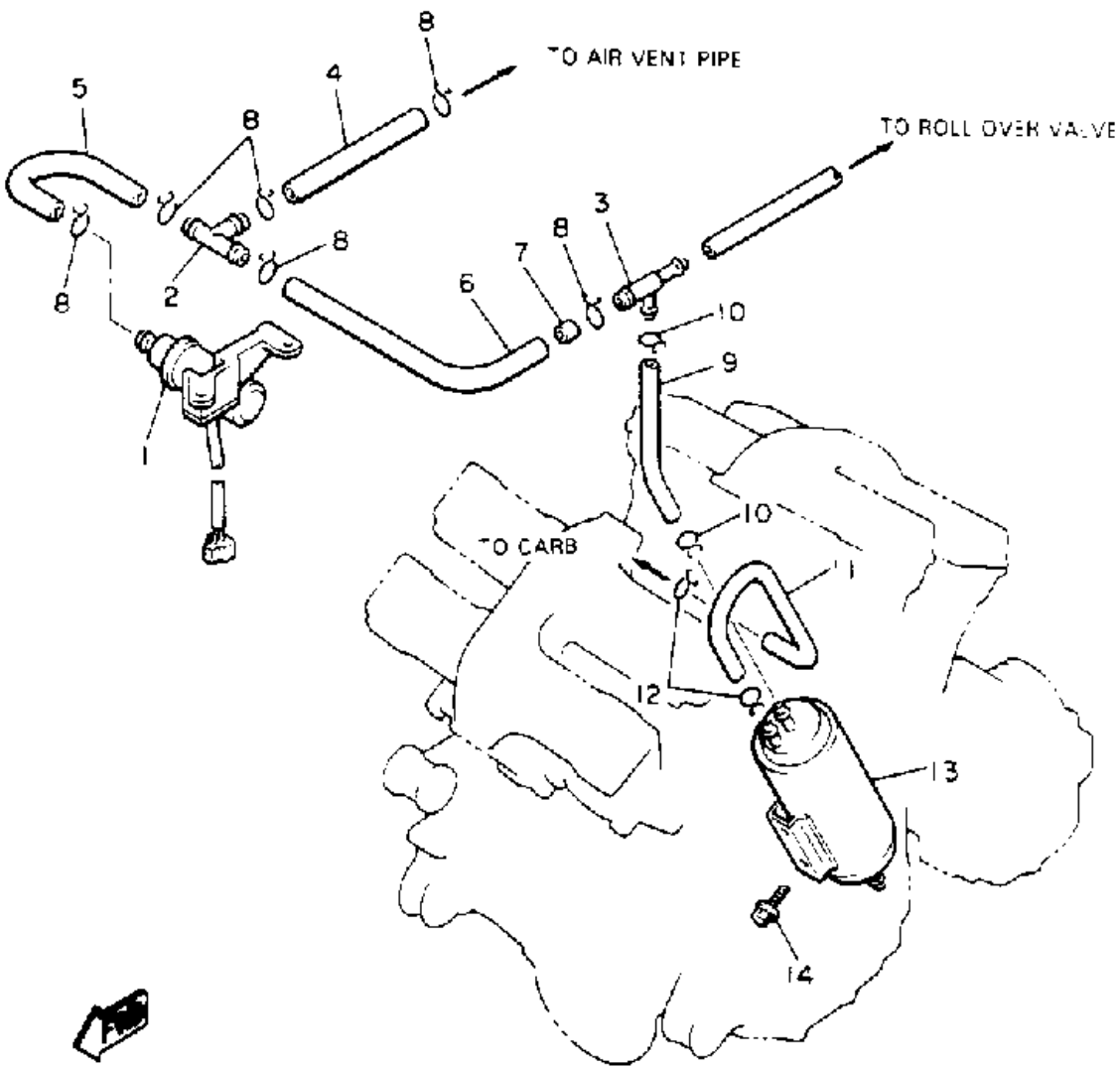
CONTINUED ON NEXT FRAME ►

# CARBURETOR (CALIFORNIA MODEL ONLY)



Ref. No.	Part Number	Description	Qty	Remarks
55	(41V-14504-00-00)	ROD SET .....	1	
56	41V-1490L-00-00	STARTER LEVER SET, 1 .....	1	
57	98580-06010-00	SCREW, PAN HEAD (92503-06010) .....	16	
58	(26H-14139-00-00)	CLIP, PIPE .....	1	
59	41V-2631J-00-00	CABLE, throttle 4 .....	1	
60	41V-26313-01-00	CABLE, throttle 3 .....	1	
61	98580-05010-00	SCREW, PAN HEAD .....	9	
62	1UN-14197-00-00	PIPE .....	2	
63	90413-11025-00	WAY 3 .....	1	

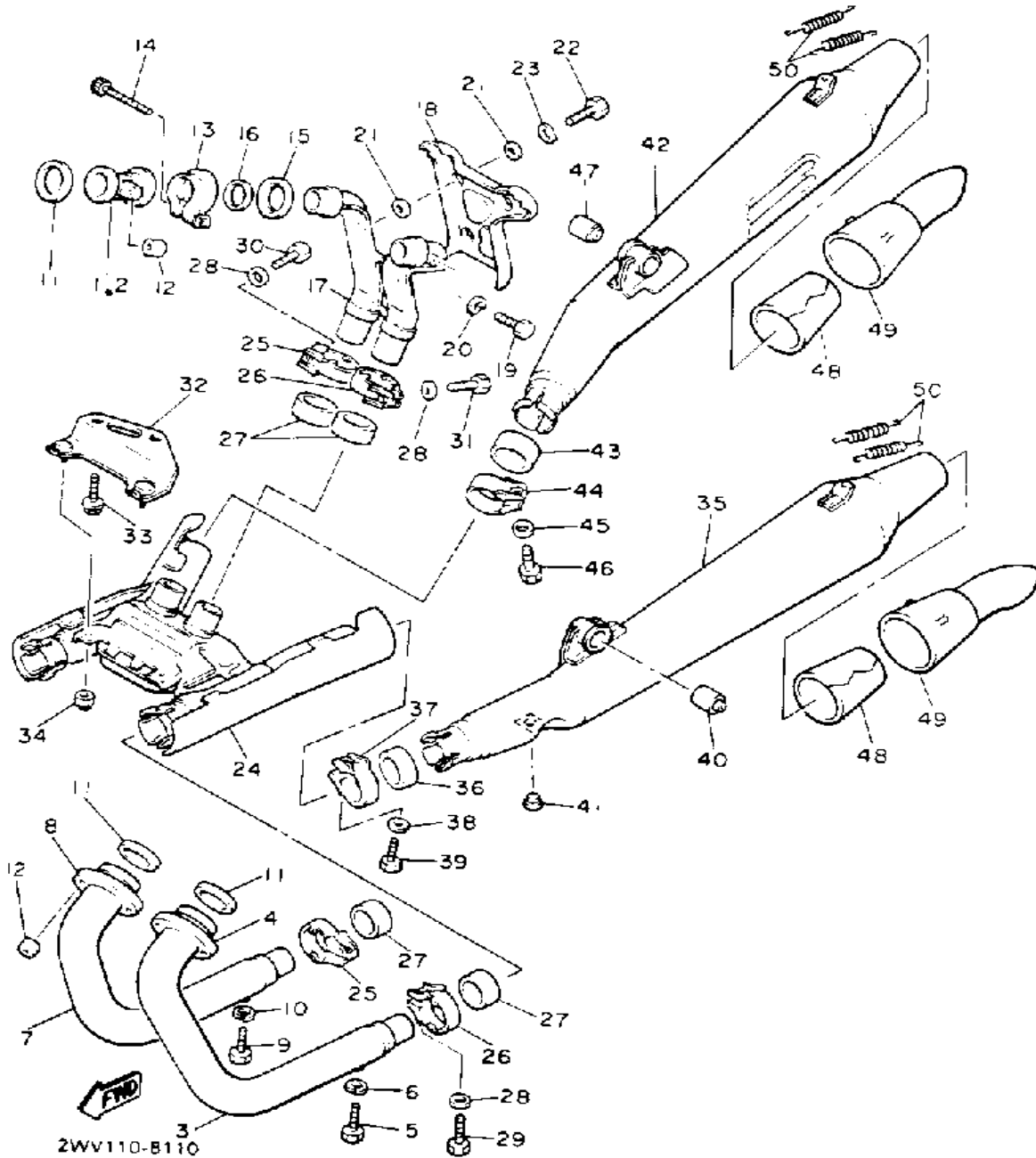
# CONTROL DEVICE FOR (CALIFORNIA MODE



Ref. No.	Part Number	Description	Qty	Remarks
1	ø1U-N1489-50-00	UNAVAILABLE IN PRICE BOOK OUTER VENT CONTROL	1	
2	90413-11025-00	WAY 3	1	
3	90413-11026-00	WAY 3	1	
4	90445-135E2-00	HOSE	1	
5	(1UN-14872-00-00)	PIPE 2	1	
6	(1UN-14873-00-00)	PIPE 3	1	
7	(1UN-15138-00-00)	NOZZLE 1	1	
8	90467-13042-00	CLIP	6	
9	90445-09064-00	HOSE	1	
10	90467-09006-00	CLIP	2	
11	(59K-24313-00-00)	PIPE 3	1	
12	90467-10008-00	CLIP	6	
13	59K-24170-00-00	CANISTER ASS'Y	1	
14	95826-06010-00	BOLT, FLANGE	2	

2WW110-8560

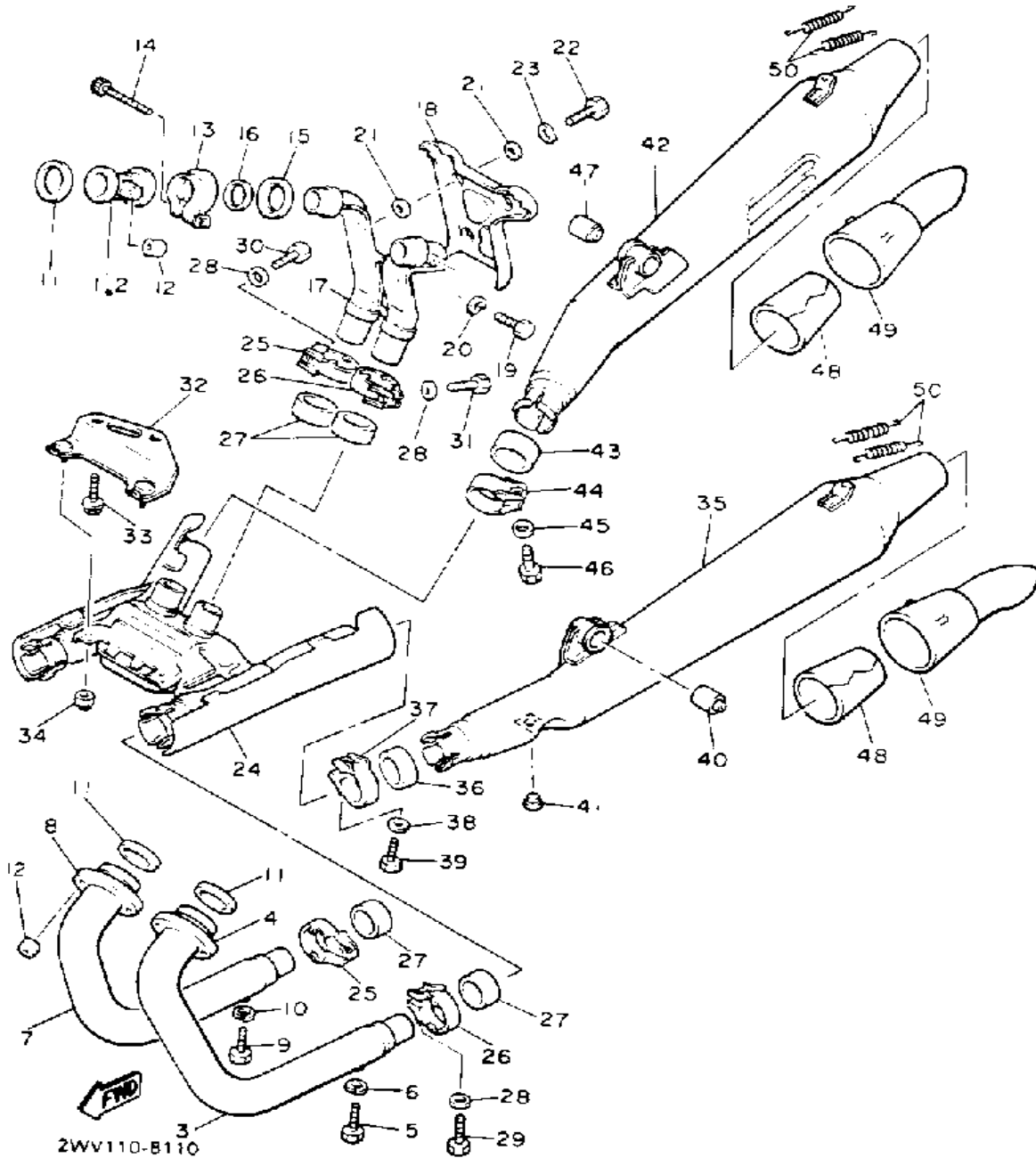
# EXHAUST



Ref. No.	Part Number	Description	Qty	Remarks
1	26H-14611-01-00	PIPE, exhaust 1	1	REAR LEFT
2	26H-14631-01-00	PIPE, exhaust 3	1	REAR RIGHT
3	26H-14621-02-00	PIPE, exhaust 2	1	FRONT LEFT
4	26H-14612-00-00	NUT, ring	1	
5	90101-06576-00	BOLT	1	
6	92995-06100-00	WASHER, SPRING	1	
7	26H-14641-02-00	PIPE, exhaust 4	1	FRT RIGHT
8	26H-14612-00-00	NUT, ring	1	
9	90101-06576-00	BOLT	1	
10	92995-06100-00	WASHER, SPRING	1	
11	90430-38054-00	GASKET	4	
12	90179-08599-00	NUT	8	
13	26H-14715-01-00	BAND, MUFFLER	2	
14	90110-06054-00	BOLT, HEXAGON SOCKET HEAD	2	
15	26H-14618-00-00	RING, stopper	2	
16	26H-14613-01-00	GASKET, exhaust pipe	2	
17	26H-14615-01-00	JOINT, exhaust 1	1	
18	26H-14624-01-00	COVER, exhaust	1	
19	90101-06576-00	BOLT	2	
20	92995-06100-00	WASHER, SPRING	2	
21	90202-05187-00	WASHER, PLATE	6	
22	90101-06576-00	BOLT	3	
23	90206-06090-00	WASHER, WAVE	3	
24	26H-14731-02-00	CHAMBER 1	1	
25	26H-14788-01-00	BAND, silencer	2	
26	26H-14789-01-00	BAND, silencer	2	
27	3JJ-14623-00-00	GASKET, EXST PIPE	4	
28	92901-08600-00	WASHER	4	

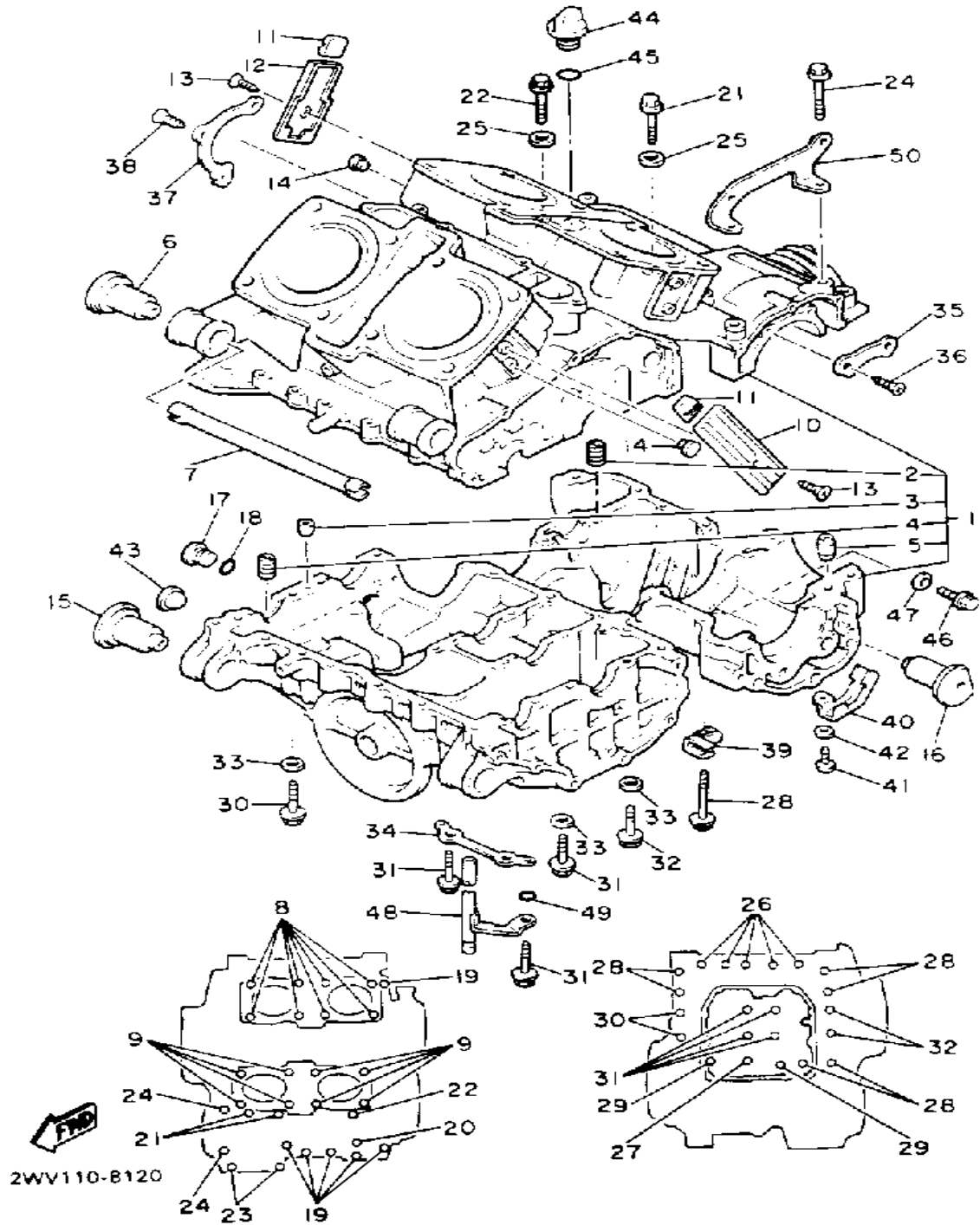
CONTINUED ON NEXT FRAME ►

# EXHAUST



Ref. No.	Part Number	Description	Qty	Remarks
29	97011-08025-00	BOLT	2	
30	97011-08020-00	BOLT	1	
31	97011-08025-00	BOLT	1	
32	26H-14772-01-00	STAY, muffler 2	1	
33	95821-08020-00	BOLT, FLANGE (95801-08020)	2	
34	95601-08200-00	NUT, U	2	
35	1NL-14711-00-00	MUFFLER 1	1	
36	3JJ-14653-00-00	GASKET, EXHAUST 4	1	
37	26H-14797-00-00	BAND, silence 4	1	
38	92901-08600-00	WASHER	1	
39	97011-08025-00	BOLT	1	
40	26H-27414-00-00	DAMPER, FOOTREST	1	
41	1A0-27114-00-00	STOPPER, MAIN STAND	1	
42	1NL-14721-01-00	MUFFLER 2	1	
43	3JJ-14653-00-00	GASKET, EXHAUST 4	1	
44	26H-14796-00-00	BAND, silencer 4	1	
45	92901-08600-00	WASHER	1	
46	97011-08025-00	BOLT	1	
47	26H-27414-00-00	DAMPER, FOOTREST	1	
48	1NL-14739-00-00	GASKET, muffler damper 1	2	
49	1NL-14746-00-00	GASKET, muffler damper 1	2	
50	90506-11392-00	SPRING, tension	4	

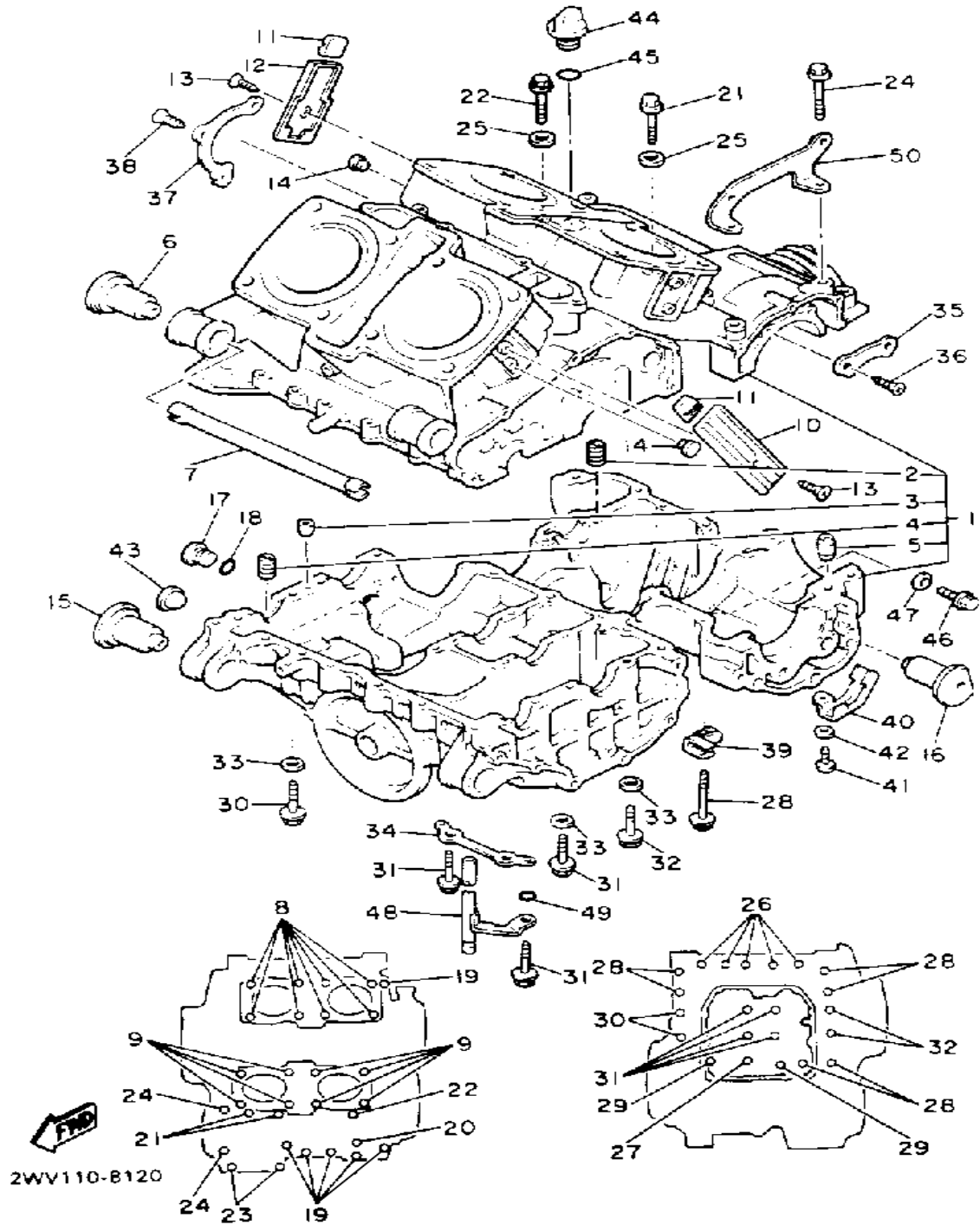
# CRANKCASE



Ref. No.	Part Number	Description	Qty	Remarks
1	1NL-15100-00-00	CRANKCASE ASS'Y	1	
2	26H-15138-00-00	. NOZZLE 1	1	
3	(26H-15148-00-00)	NOZZLE 2	1	
4	4G0-15138-00-00	. NOZZLE 1	1	
5	99530-10014-00	. PIN, DOWEL	1	
6	1AA-15336-00-00	DAMPER, ENGINE MOUNT 3	2	
7	26H-15317-00-00	SPACER, ENG MOUNT	1	
8	90116-10411-00	BOLT, STUD	8	
9	90116-10411-00	BOLT, STUD	8	
10	26H-15417-01-00	COVER, cap	2	FOR FRT CYL.
11	26H-15326-00-00	DAMPER, engine mount 2	4	
12	26H-15417-01-00	COVER, cap	2	FOR FRT CYL.
13	98780-06016-00	SCREW, FLAT HEAD (92603-06016)	4	
14	90338-11152-00	PLUG	4	
15	1AA-15336-00-00	DAMPER, ENGINE MOUNT 3	2	
16	1AA-15326-00-00	DAMPER, ENGINE MOUNT 2	2	
17	4H7-15189-00-00	PLUG	1	
18	93210-20573-00	O-RING	1	
19	95811-06045-00	BOLT, flange (95812-06045-00)	6	
20	95811-06070-00	BOLT, FLANGE	1	
21	95811-06090-00	BOLT, FLANGE	2	
22	95816-06095-00	BOLT, FLANGE	1	
23	95811-08045-00	BOLT, FLANGE (JN5)	2	
24	95811-08080-00	BOLT, FLANGE	2	
25	90430-06166-00	GASKET	2	
26	95811-08050-00	BOLT, FLANGE (95812-08050)	5	
27	95811-08065-00	BOLT, FLANGE	1	
28	95811-08080-00	BOLT, FLANGE	6	

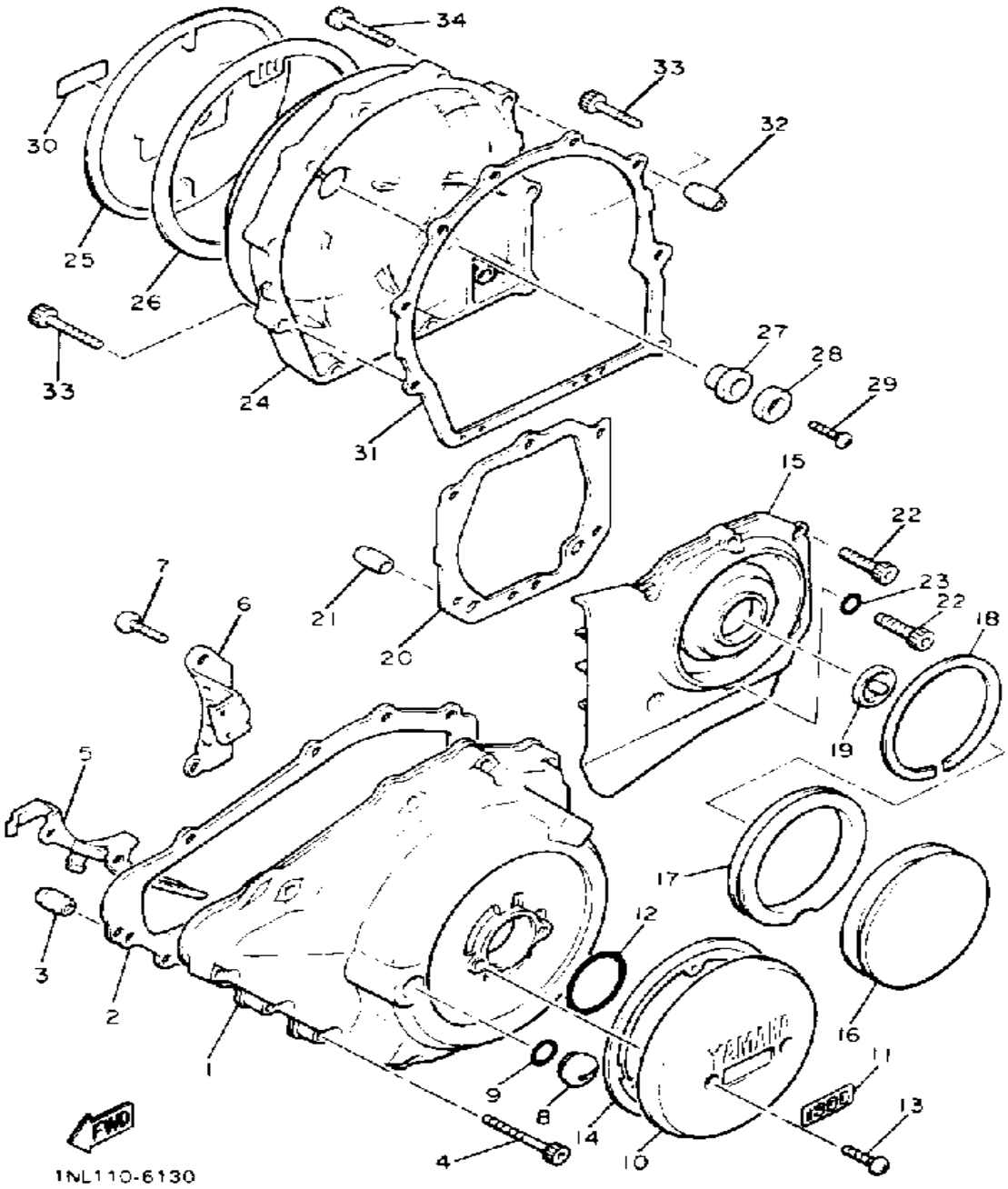
CONTINUED ON NEXT FRAME ►

# CRANKCASE



Ref. No.	Part Number	Description	Qty	Remarks
29	95811-08095-00	BOLT, FLANGE .....	2	
30	90105-10247-00	BOLT, WASHER BASED .....	2	
31	90105-10248-00	BOLT, WASHER BASED .....	4	
32	90105-10249-00	BOLT, WASHER BASED .....	2	
33	90201-10131-00	WASHER, PLATE .....	6	
34	26H-15113-00-00	PLATE .....	1	
35	26H-15381-00-00	PLATE, BEARING COVER .....	2	
36	90149-08152-00	SCREW .....	4	
37	26H-15383-00-00	PLATE, BEARING COVER .....	1	
38	90151-06041-00	SCREW, COUNTERSUNK .....	3	
39	90465-08233-00	CLAMP .....	1	
40	(90465-08263-00)	CLAMP .....	1	
41	98580-06012-00	SCREW, PAN HEAD .....	1	
42	92901-06600-00	WASHER .....	1	
43	2H7-15361-00-00	GAUGE, LEVEL .....	1	
44	2H7-15363-00-00	PLUG, OIL .....	1	
45	93210-27778-00	O-RING .....	1	
46	95801-12016-00	BOLT, FLANGE .....	1	
47	90201-12790-00	WASHER, PLATE .....	1	
48	26H-15373-00-00	PIPE, BREATHER .....	1	
49	93210-06667-00	O-RING .....	1	
50	26H-15199-00-00	BRACKET .....	1	

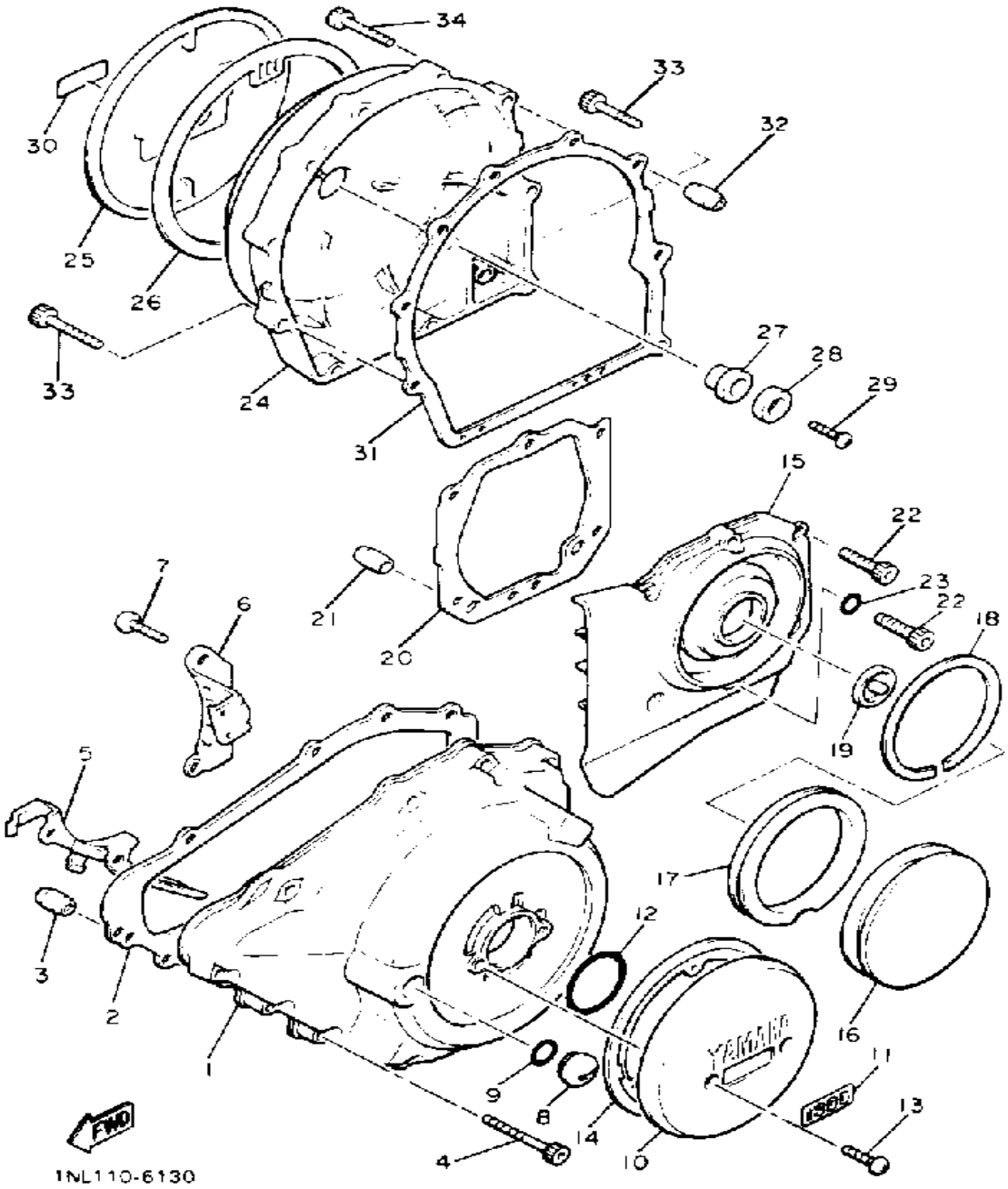
# CRANKCASE COVER



Ref. No.	Part Number	Description	Qty	Remarks
1	26H-15411-00-00	COVER, crankcase 1	1	
2	3JP-15451-00-00	GASKET, CRANKCASE COVER 1	1	
3	99530-10014-00	PIN, DOWEL	2	
4	91311-06030-00	BOLT, SOCKET HEAD	11	
5	90465-06234-00	CLAMP	1	
6	90465-08220-00	CLAMP	1	
7	98580-06010-00	SCREW, PAN HEAD (92503-06010)	1	
8	90340-14068-00	PLUG, STRAIGHT SCREW	1	
9	93210-14369-00	O-RING	1	
10	26H-15427-01-00	COVER, cap 2	1	
11	1NL-15447-00-00	EMBLEM	1	
12	93210-45150-00	O-RING	1	
13	98780-06016-00	SCREW, FLAT HEAD (92603-06016)	2	
14	26H-15455-01-00	GASKET 1	1	
15	26H-15421-04-00	COVER, crankcase 2	1	
16	26H-15428-00-00	COVER, chain case 2	1	
17	26H-15337-01-00	DAMPER 4	1	
18	90468-98132-00	CLIP	1	
19	26H-15338-00-00	DAMPER, ENGINE MOUNT 5	1	
20	3JP-15461-00-00	GASKET, CRANKCASE COVER 2	1	
21	99530-10014-00	PIN, DOWEL	2	
22	91311-06025-00	BOLT, SOCKET HEAD	6	
23	90430-06014-00	GASKET	1	
24	1NL-15431-00-00	COVER, crankcase 3	1	
25	26H-15418-01-00	COVER, chain case	1	
26	26H-15449-00-00	RING, RUBBER	1	

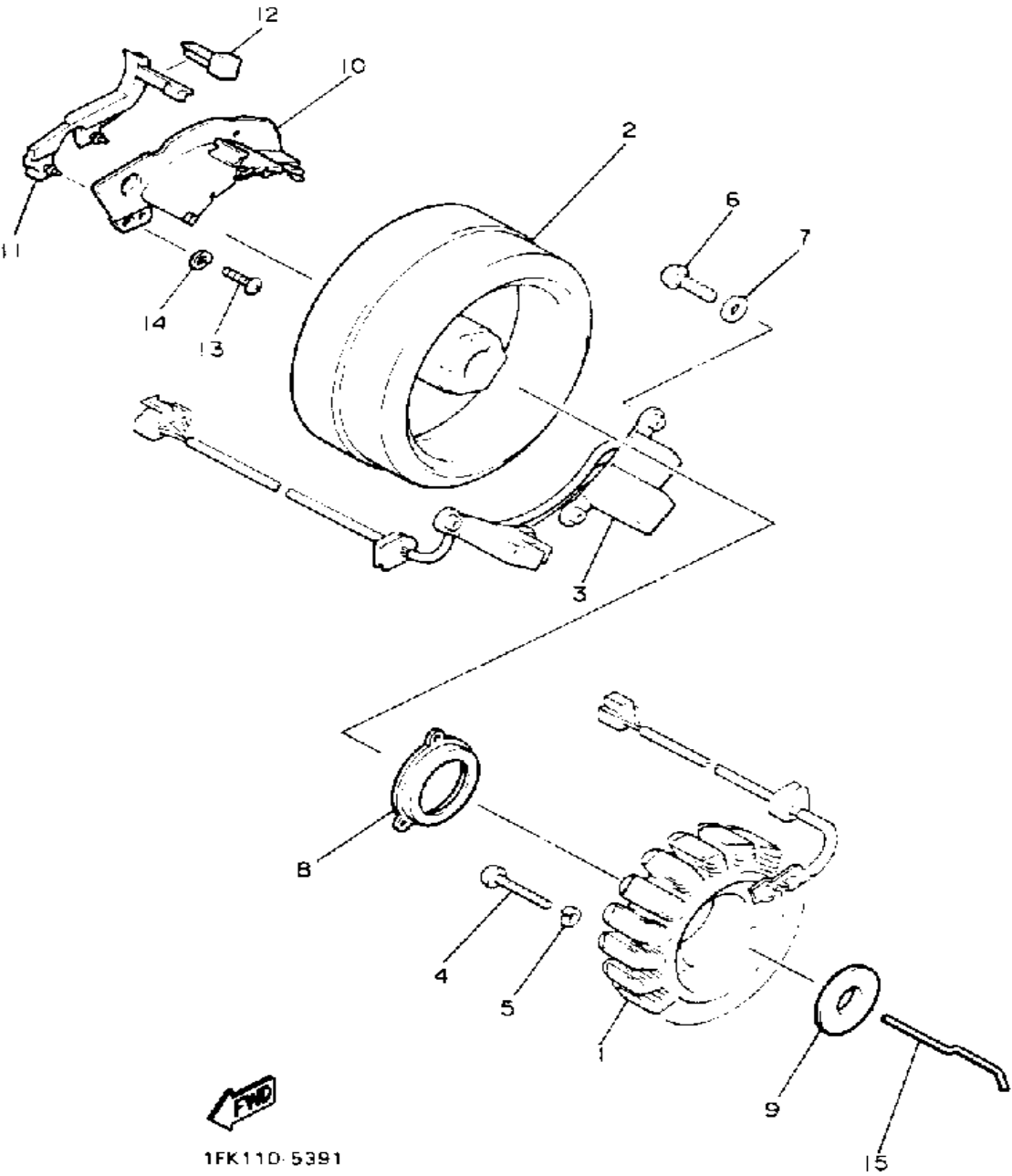
CONTINUED ON NEXT FRAME ►

# CRANKCASE COVER



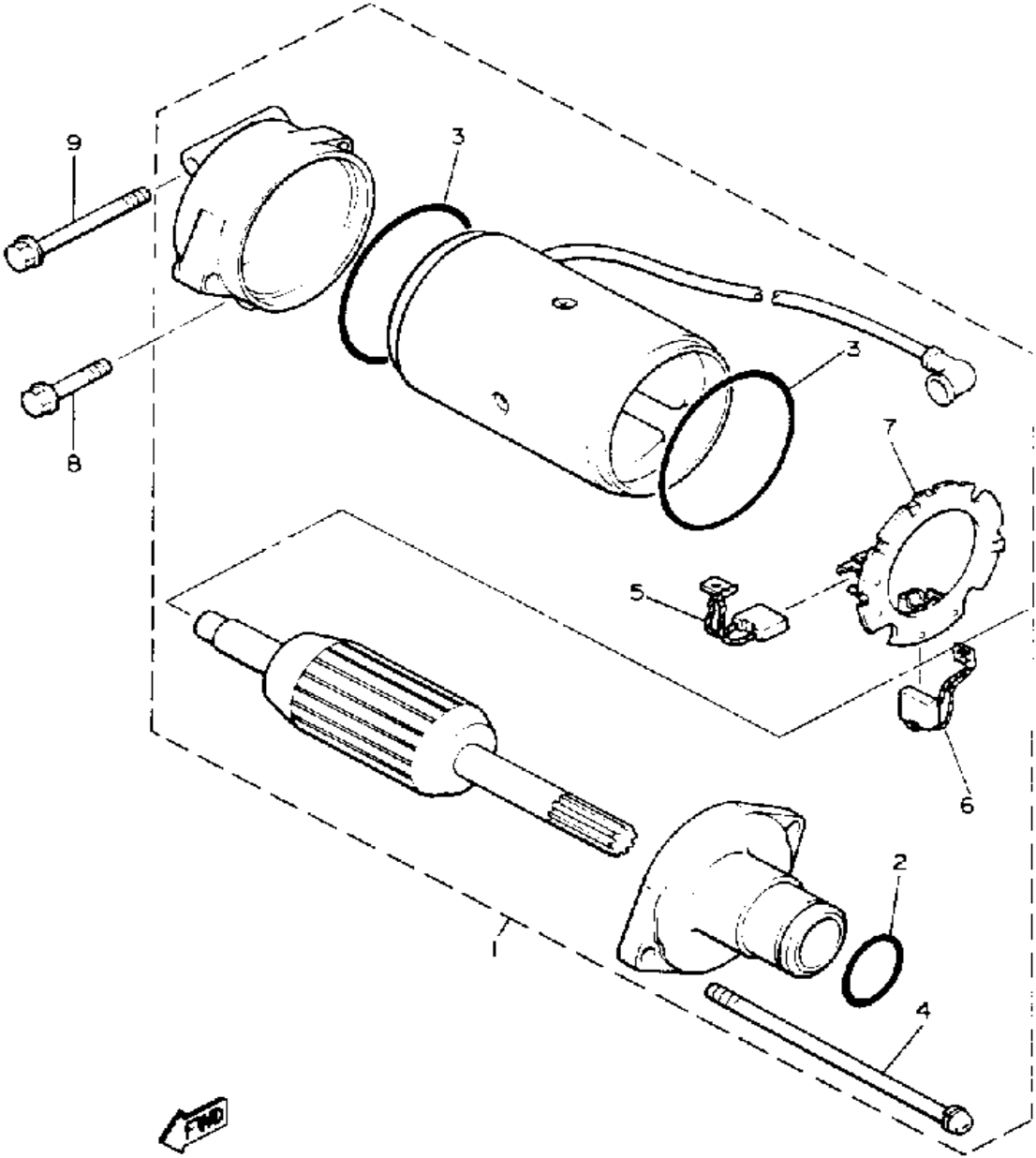
Ref. No.	Part Number	Description	Qty	Remarks
27	4H7-15486-00-00	GROMMET .....	1	
28	90209-06096-00	WASHER .....	1	
29	98580-06008-00	SCREW, PAN HEAD .....	1	
30	1NL-15447-00-00	EMBLEM .....	1	
31	3JP-15462-00-00	GASKET, CRANKCASE COVER 3 .....	1	
32	99530-10014-00	PIN, DOWEL .....	2	
33	91311-06025-00	BOLT, SOCKET HEAD .....	7	
34	91311-06035-00	BOLT, SOCKET HEAD .....	2	

# GENERATOR



Ref. No.	Part Number	Description	Qty	Remarks
1	26H-81410-12-00	STATOR ASSEMBLY .....	1	
2	26H-81450-10-00	ROTOR ASSEMBLY .....	1	
3	26H-81670-10-00	PICK-UP ASSEMBLY .....	1	
4	98580-06545-00	SCREW PAN HEAD (92503-06045) .....	3	
5	92995-06100-00	WASHER, SPRING .....	3	
6	98503-06014-00	SCREW, PAN HEAD (92502-06016) .....	4	
7	90201-06643-00	WASHER, PLATE .....	4	
8	59J-15113-00-00	PLATE .....	1	
9	59J-15191-00-00	PLATE .....	1	
10	(1FK-15358-00-00)	SEPARATOR, OIL .....	1	
11	1FK-15379-00-00	SEAL, CRANKCASE .....	1	
12	1FK-15494-00-00	SEAL, PROTECTOR .....	1	
13	98580-06012-00	SCREW, PAN HEAD .....	4	
14	92995-06100-00	WASHER, SPRING .....	4	
15	59J-11455-00-00	SHAFT 1 .....	1	

# STARTING MOTOR

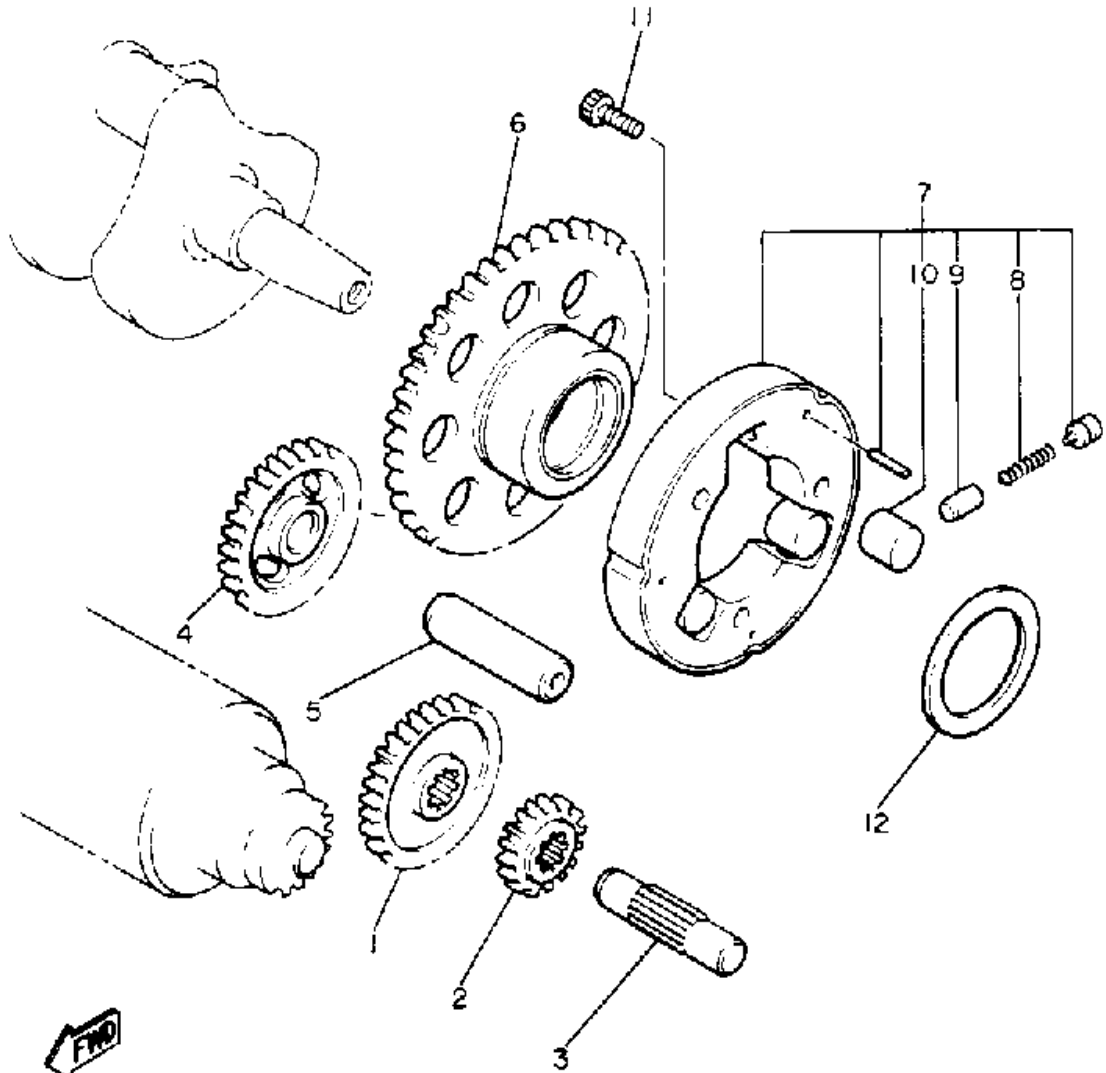


Ref. No.	Part Number	Description	Qty	Remarks
1	26H-81800-10-00	STARTING MOTOR ASS'Y	1	
2	26H-81847-00-00	. O-RING	1	
3	371-81847-20-00	. O-RING	2	
4	22U-81826-00-00	. BOLT	2	
5	371-81811-20-00	. BRUSH 1	1	
6	371-81812-20-00	. BRUSH 2	1	
7	1J7-81840-60-00	. BRUSH HOLDER ASSEMBLY	1	
8	95811-06025-00	BOLT, FLANGE	1	
9	95811-06055-00	BOLT, FLANGE (95802-06055)	1	



26H110-3480

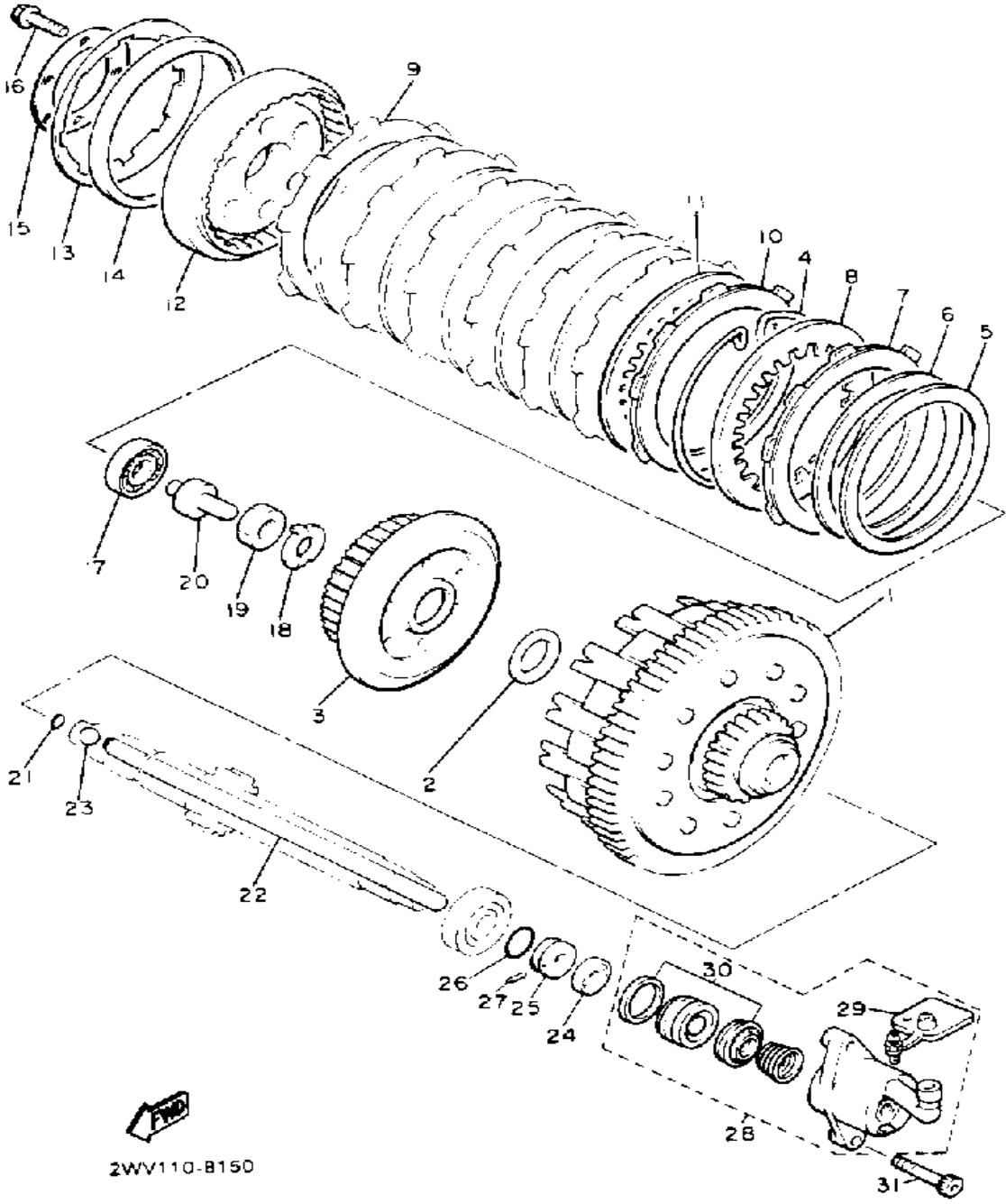
# STARTER CLUTCH



26H110-3140

Ref. No.	Part Number	Description	Qty	Remarks
1	26H-15514-00-00	GEAR 2 (42T) .....	1	
2	26H-15515-00-00	GEAR 3 (13T) .....	1	
3	26H-15522-00-00	SHAFT 2 .....	1	
4	26H-15512-00-00	GEAR, IDLER 1 (27T) .....	1	
5	26H-15521-00-00	SHAFT 1 .....	1	
6	26H-15517-00-00	GEAR, IDLER 2 (76T) .....	1	
7	11H-15580-00-00	STARTER CLUTCH OUTER ASSEMBLY .....	1	
8	90501-04623-00	. SPRING, COMPRESSION ....	3	
9	341-15583-05-00	. CAP, STR CLUTCH SPR -CLUTCH SPRING .....	3	
10	93615-12088-00	. PIN, DOWEL .....	3	
11	91316-08014-00	BOLT .....	3	
12	90201-350F3-00	WASHER, PLATE .....	1	

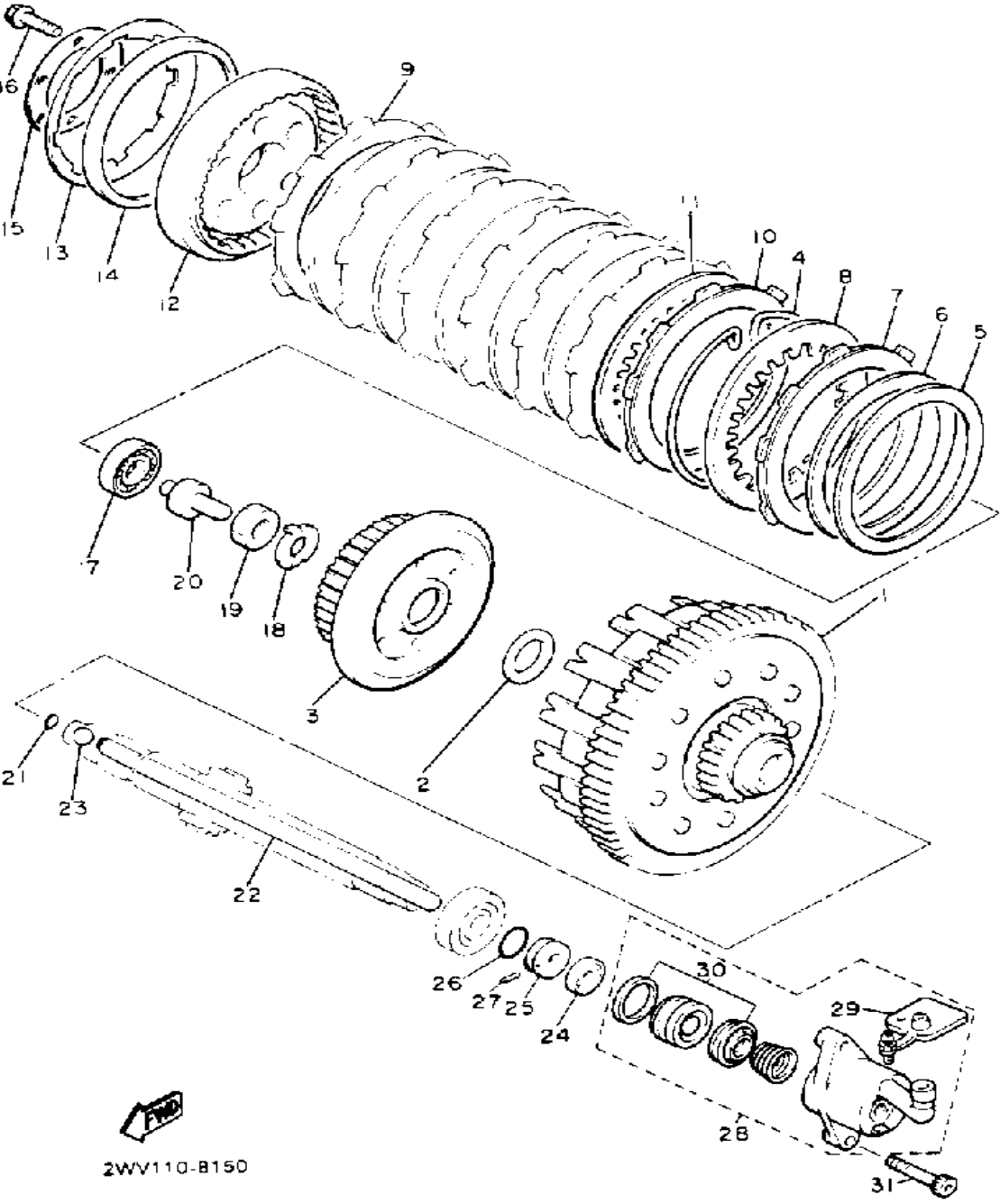
# CLUTCH



Ref. No.	Part Number	Description	Qty	Remarks
1	26H-16150-00-00	PRIMARY DRIVEN GEAR COMP. ....	1	
2	26H-16154-00-00	PLATE, THRUST 1 .....	1	
3	1FK-16371-00-00	BOSS, CLUTCH .....	1	
4	26H-16385-00-00	RING, CLUTCH BOSS .....	1	
5	26H-16384-00-00	PLATE, SEAT .....	1	
6	1FK-16383-00-00	SPRING, CLUTCH BOSS .....	1	
7	26H-16321-00-00	PLATE, FRICTION .....	1	
8	26H-16324-00-00	PLATE, CLUTCH 1 .....	1	
9	26H-16331-01-00	PLATE, FRICTION 2 .....	1	
10	26H-16307-00-00	PLATE, FRICTION 3 .....	6	
11	26H-16324-00-00	PLATE, CLUTCH 1 .....	6	
12	1FK-16351-00-00	PLATE, PRESSURE 1 .....	1	
13	1FK-16334-00-00	SPRING, CLUTCH 2 .....	1	
14	1FK-16335-00-00	HOUSING, SPRING .....	1	
15	1FK-16352-00-00	PLATE, PRESSURE 2 .....	1	
16	97011-06025-00	BOLT (97001-06025) .....	6	
17	93306-00315-00	BEARING (6003SH2C4) .....	1	
18	90215-25218-00	WASHER, LOCK .....	1	
19	90170-20323-00	NUT .....	1	
20	36Y-16356-00-00	ROD, PUSH 1 .....	1	
21	93210-06632-00	O-RING .....	1	
22	26H-16357-00-00	ROD, PUSH 2 .....	1	
23	93511-32027-00	BALL .....	1	
24	93109-08061-00	OIL SEAL .....	1	
25	26H-16399-00-00	GUIDE, PUSH ROD .....	1	
26	93210-18322-00	O-RING .....	1	
27	93603-07073-00	PIN, DOWEL .....	1	
28	1FK-16381-10-00	PUSH LEVER COMP. ....	1	

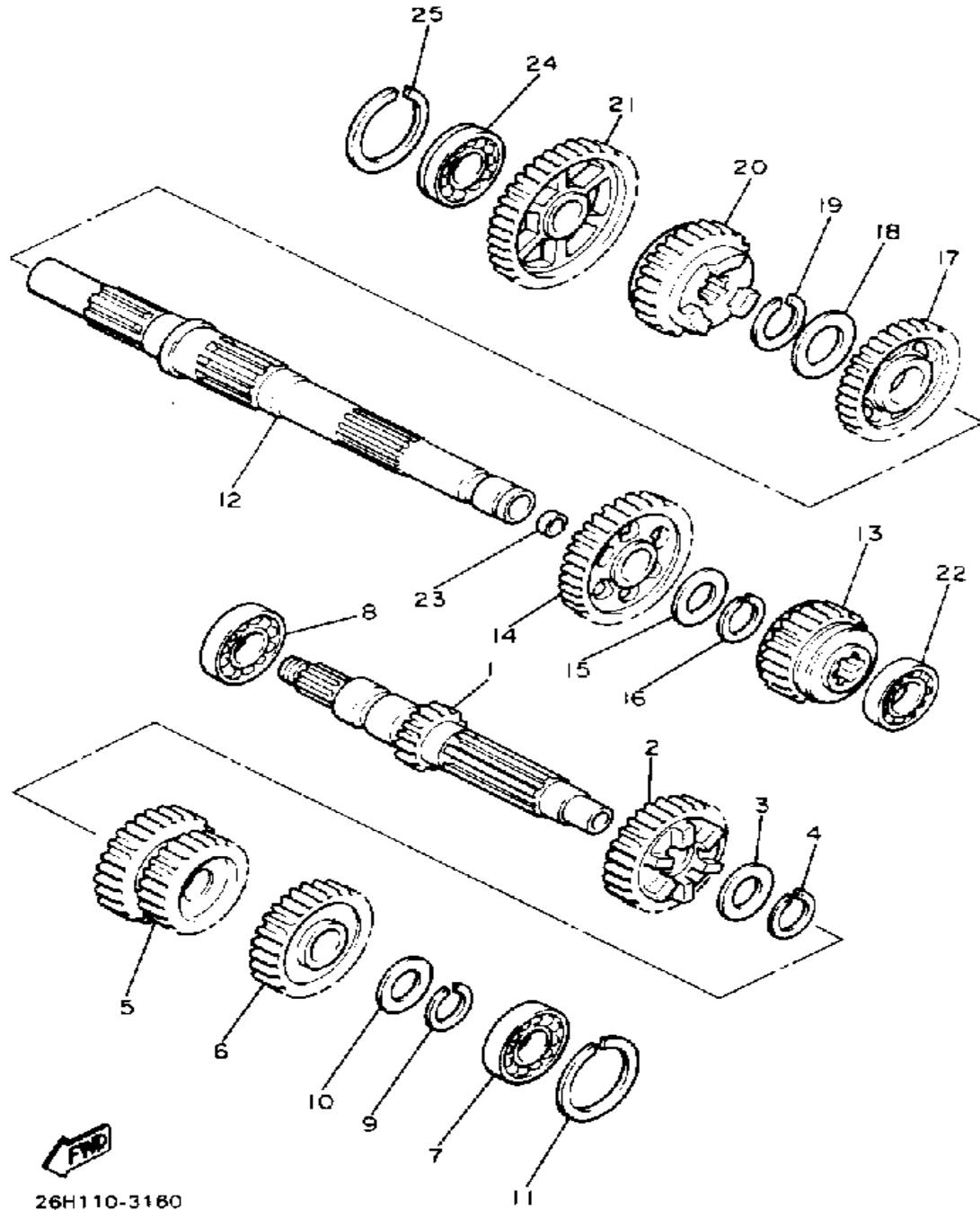
CONTINUED ON NEXT FRAME ►

# CLUTCH



Ref. No.	Part Number	Description	Qty	Remarks
29	1NL-W0048-00-00	. BLEED SCREW KIT . . . . .	1	
30	26H-W0098-00-00	. PUSH LEVER SEAL KIT . . . . .	1	
31	90110-06035-00	BOLT, HEXAGON SOCKET HEAD . . . . .	2	

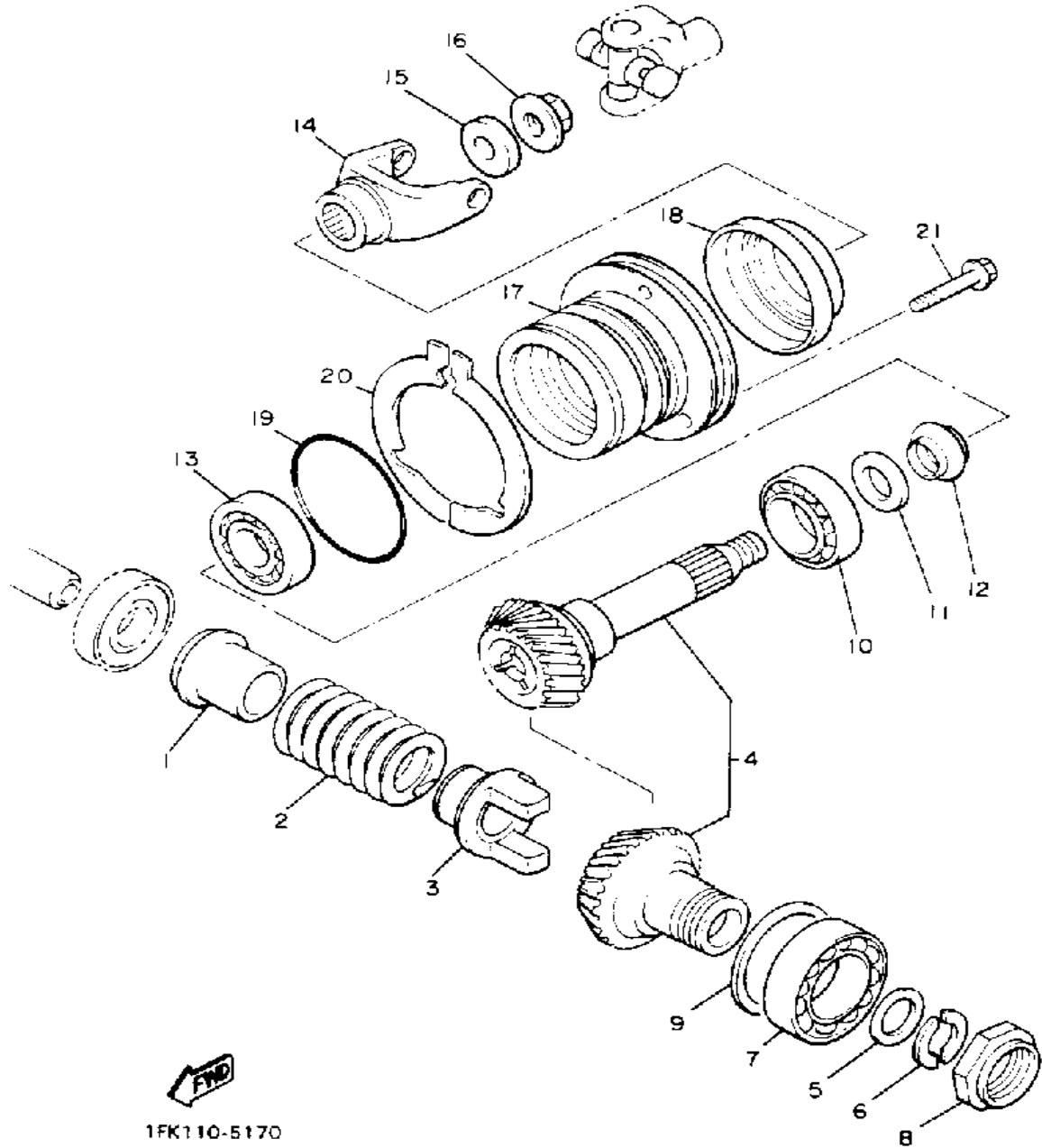
# TRANSMISSION



Ref. No.	Part Number	Description	Qty	Remarks
1	26H-17411-02-00	AXLE, main (15T)	1	
2	26H-17141-00-00	GEAR, 4th pinion (29T)	1	
3	90209-25196-00	WASHER	1	
4	93440-28062-00	CIRCLIP	1	
5	26H-17121-00-00	GEAR, 2nd/3rd pinion (22/23T)	1	
6	26H-17151-01-00	GEAR, 5th pinion (32T)	1	
7	93306-30430-00	BEARING	1	
8	93306-36401-00	BEARING	1	
9	93410-23056-00	CIRCLIP	1	
10	90201-232K5-00	WASHER, PLATE	1	
11	93440-52118-00	CIRCLIP	1	
12	26H-17421-01-00	AXLE, DRIVE	1	
13	26H-17251-01-00	GEAR, 5th wheel (29T)	1	
14	1FK-17221-01-00	GEAR, 2ND WHEEL (39T)	1	
15	90209-32231-00	WASHER	1	
16	93440-34025-00	CIRCLIP	1	
17	26H-17231-01-00	GEAR, 3RD WHEEL (31T)	1	
18	90209-27192-00	WASHER	1	
19	93440-30077-00	CIRCLIP	1	
20	26H-17241-00-00	GEAR, 4th wheel (31T)	1	
21	26H-17211-00-00	GEAR, 1st wheel (39T)	1	
22	93306-20629-00	BEARING	1	
23	90331-15039-00	PLUG	1	
24	93306-20555-00	BEARING	1	
25	93440-52118-00	CIRCLIP	1	

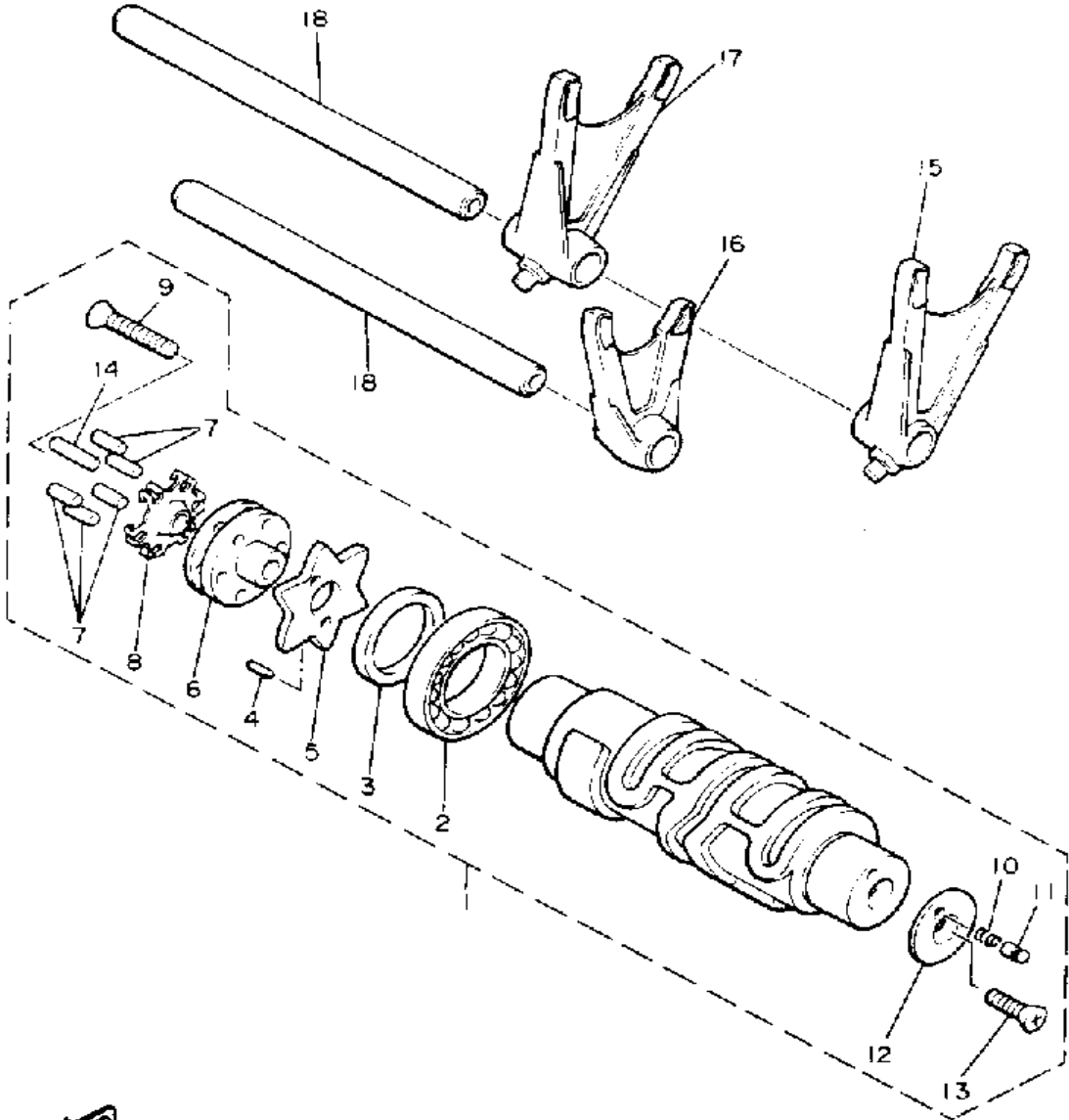
26H110-3180

# MIDDLE DRIVE GEAR



Ref. No.	Part Number	Description	Qty	Remarks
1	2WE-17524-00-00	HOLDER	1	
2	90501-75638-00	SPRING, COMPRESSION	1	
3	2WE-17527-00-00	CAM, DRIVEN	1	
4	26H-W1751-00-00	MIDDLE GEAR COMP.	1	
5	90201-252K4-00	WASHER, PLATE	1	
6	90209-21281-00	WASHER	2	
7	93306-20901-00	BEARING (B6209RSH2-C2)	1	
8	90179-44328-00	NUT	1	
9	4X7-17531-00-15	SHIM, PINION (0.15T)	1	UR
	4X7-17531-00-30	SHIM, PINION (0.30T)	1	UR
	4X7-17531-00-50	SHIM, PINION (0.50T)	1	UR
10	93332-00028-00	BEARING	1	
11	90201-25634-00	WASHER, PLATE	1	
12	2H7-17571-01-00	SPACER, EXPANSION	1	
13	93332-00024-00	BEARING	1	
14	26H-17556-00-00	YOKE, JOINT	1	
15	90201-14633-00	WASHER, PLATE	1	
16	90179-14317-00	NUT, SPEC'L SHAPE	1	
17	26H-17551-00-00	HOUSING, BEARING	1	
18	93101-35085-00	OIL SEAL	1	
19	93210-71360-00	O-RING	1	
20	3UF-17531-10-00	SHIM, PINION (0.15T)	1	UR
	3UF-17531-30-00	SHIM, PINION (0.30T)	1	UR
21	95811-08030-00	BOLT, FLANGE	3	

# SHIFT CAM - FORK

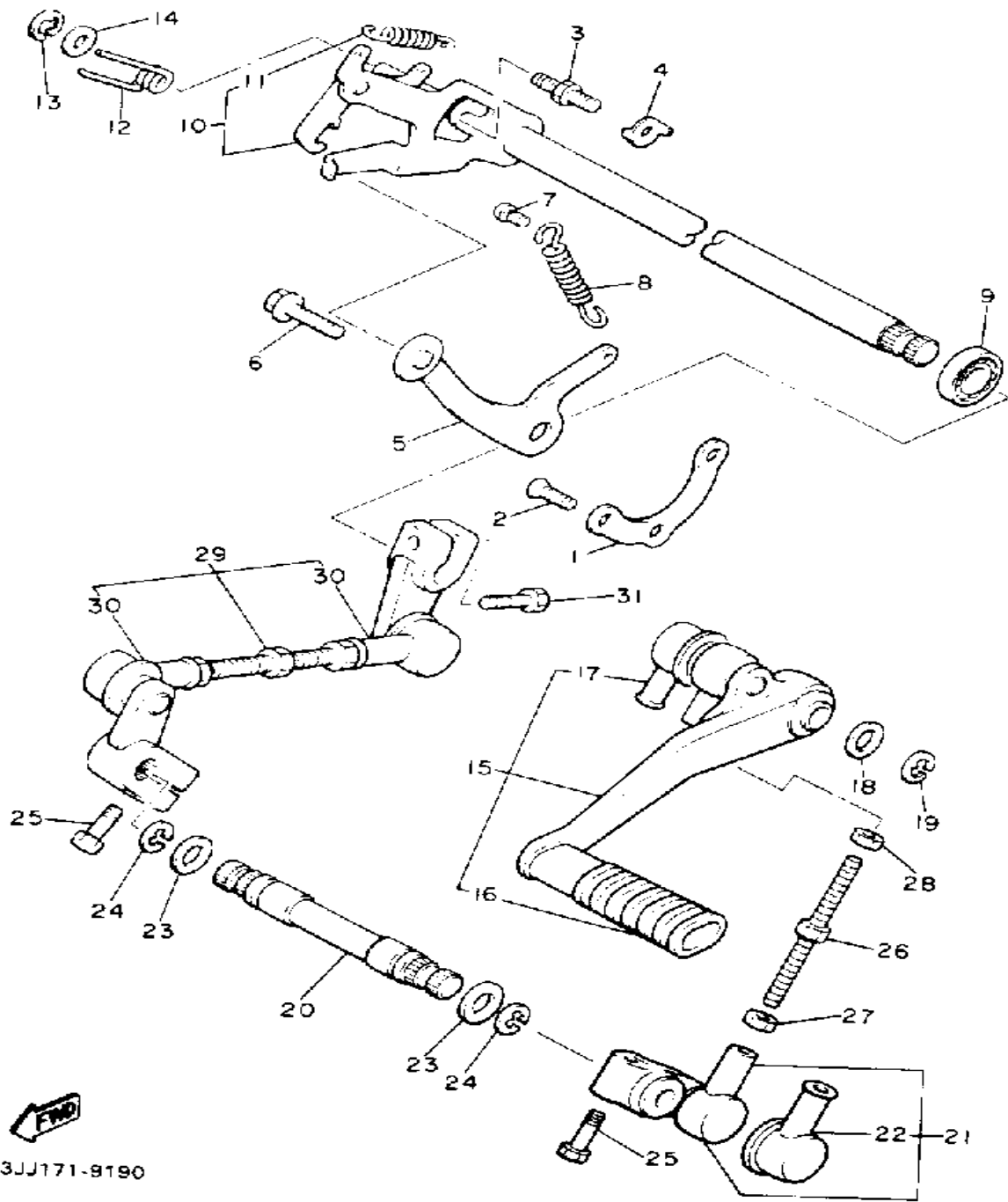


Ref. No.	Part Number	Description	Qty	Remarks
1	26H-18540-00-00	SHIFT CAM ASSEMBLY	1	
2	93306-90602-00	. BEARING	1	
3	90560-30234-00	. SPACER	1	
4	93603-10049-00	. PIN, DOWEL	1	
5	26H-18141-01-00	. PLATE, STOPPER	1	
6	26H-18185-00-00	. SEGMENT	1	
7	93604-17198-00	. PIN, DOWEL	5	
8	26H-18561-01-00	. PLATE, SIDE 1	1	
9	90151-06013-00	. SCREW, COUNTERSUNK	1	
10	90501-06022-00	. SPRING, COMPRESSION	1	
11	278-18542-00-00	. POINT, NEUTRAL	1	
12	278-18566-00-00	. PLATE, SIDE 2	1	
13	98701-05016-00	. SCREW, FLAT HEAD	1	
14	93604-21197-00	. PIN, DOWEL	1	
15	26H-18511-01-00	FORK, SHIFT 1	1	
16	26H-18512-00-00	FORK, SHIFT 2	1	
17	26H-18513-00-00	FORK, SHIFT 3	1	
18	26H-18531-00-00	BAR, SHIFT FORK GUIDE 1	2	



26H110-3180

# SHIFT SHAFT

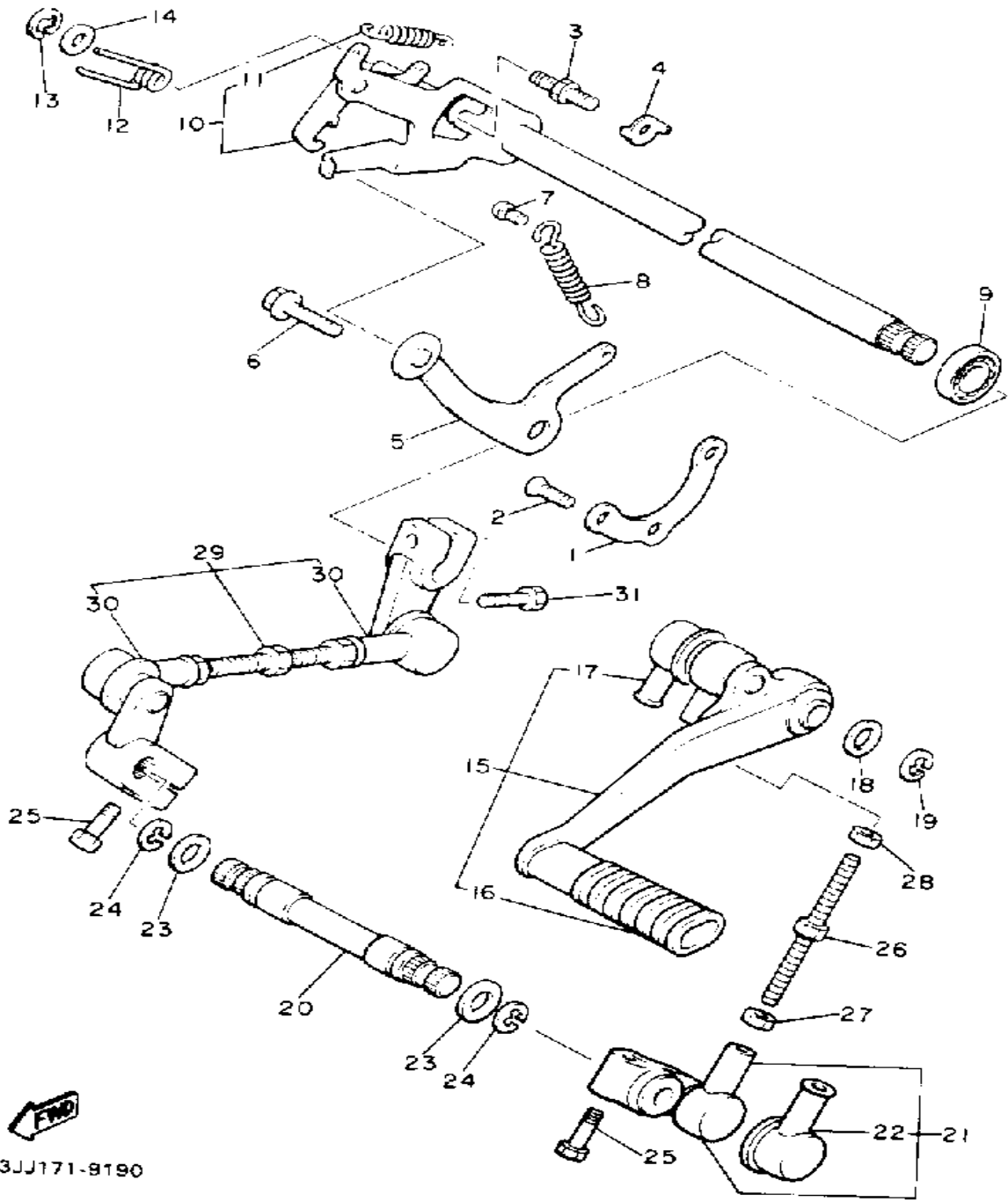


3JJ171-9190

Ref. No.	Part Number	Description	Qty	Remarks
1	26H-18536-00-00	STOPPER, SHIFT BAR .....	1	
2	90151-06041-00	SCREW, COUNTERSUNK .....	3	
3	90109-08441-00	BOLT .....	1	
4	90215-08115-00	WASHER, LOCK .....	1	
5	26H-18140-01-00	STOPPER LEVER ASSEMBLY .	1	
6	90109-065A9-00	BOLT .....	1	
7	132-16346-00-00	HOOK, SPRING .....	1	
8	90506-13312-00	SPRING, TENSION .....	1	
9	93102-12321-00	OIL SEAL, SD-TYPE .....	1	
10	26H-18120-00-00	SHIFT LEVER ASS'Y .....	1	
11	90506-08227-00	. SPRING, TENSION .....	1	
12	90508-32588-00	SPRING, TORSION .....	1	
13	99006-10600-00	CIRCLIP .....	1	
14	90201-127E1-00	WASHER, PLATE .....	1	
15	1NL-18110-00-00	SHIFT PEDAL ASS'Y .....	1	
16	22N-18113-00-00	. COVER, SHIFT PEDAL .....	1	
17	2H9-18154-00-00	. COVER, DUST .....	1	
18	90201-124E4-00	WASHER, PLATE .....	1	
19	99009-12400-00	CIRCLIP .....	1	
20	26H-18197-00-00	SHAFT .....	1	
21	1FK-18152-00-00	LEVER, SHIFT 4 .....	1	
22	2H9-18154-00-00	. COVER, DUST .....	1	
23	90201-124E4-00	WASHER, PLATE .....	2	
24	99006-10600-00	CIRCLIP .....	2	
25	97011-06020-00	BOLT .....	2	
26	26H-18115-00-00	ROD, SHIFT .....	1	
27	95380-06700-00	NUT .....	1	
28	90170-06228-00	NUT (COUNTER CLOCKWISE)	1	
29	26H-18150-00-00	SHIFT LEVER ASS'Y .....	1	

CONTINUED ON NEXT FRAME ➤

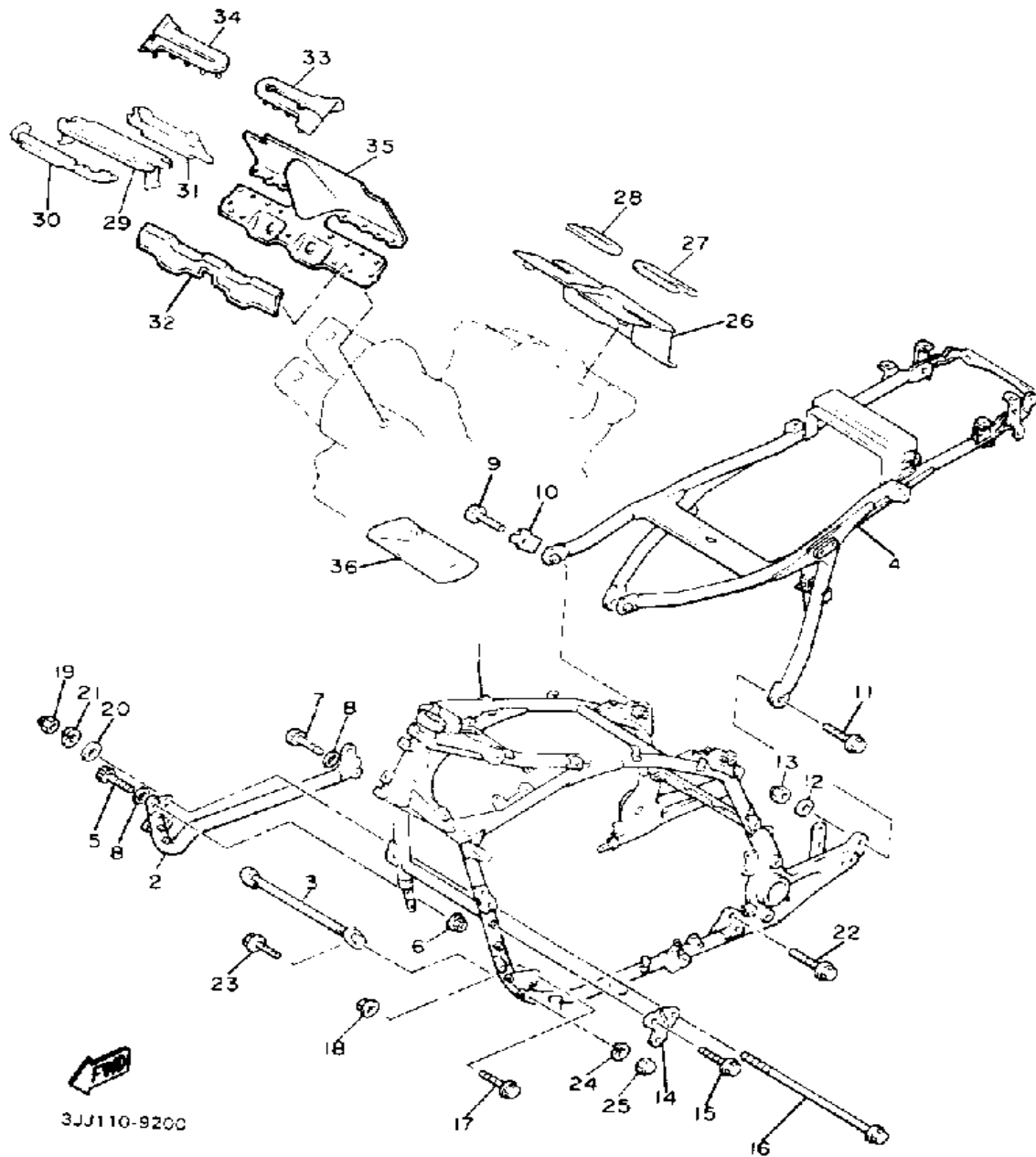
# SHIFT SHAFT



Ref. No.	Part Number	Description	Qty	Remarks
30	2H9-18154-00-00	. COVER, DUST .....	2	
31	97011-06020-00	BOLT .....	1	

3JJ171-9190

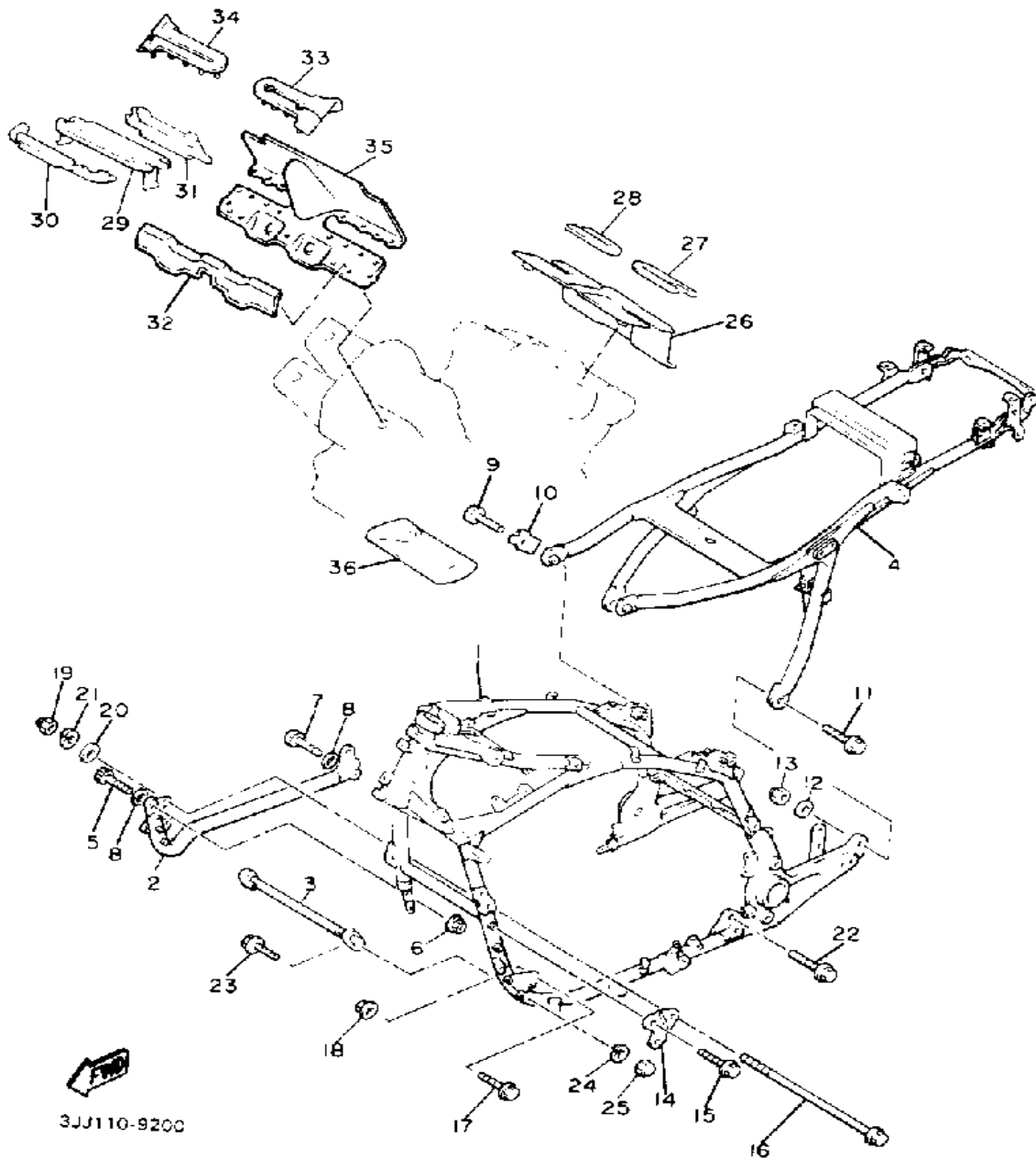
# FRAME



Ref. No.	Part Number	Description	Qty	Remarks
1	2WR-21110-00-33	FRAME COMP .....	1	YAMAHA BLK
2	2WR-21140-00-33	DOWN TUBE COMP .....	1	YAMAHA BLK
3	26H-2141V-00-00	CROSS BAR COMPLETE .....	1	
4	1NL-21190-00-33	REAR FRAME COMP .....	1	YAMAHA BLK
5	90110-10125-00	BOLT, hexagon socket head ..	2	
6	90179-10321-00	NUT .....	2	
7	90110-10126-00	BOLT, HEXAGON SOCKET HEAD .....	2	
8	90201-100F7-00	WASHER, PLATE .....	4	
9	90101-10524-00	BOLT .....	2	
10	90215-10192-00	WASHER, LOCK .....	2	
11	95811-10045-00	BOLT, FLANGE .....	2	
12	90201-10696-00	WASHER, plate .....	2	
13	90176-10045-00	NUT, crown .....	2	
14	(26H-21315-00-00)	STAY, ENGINE 2 .....	1	
15	95811-08016-00	BOLT, FLANGE .....	2	
16	90105-10254-00	BOLT, washer based .....	1	
17	90105-10253-00	BOLT, WASHER BASED .....	2	
18	95701-10500-00	NUT, FLANGE (95702-10500) ..	2	
19	95303-10800-00	NUT (CROWN) (92803-10700) .	1	
20	92990-10200-00	WASHER, PLAIN .....	1	
21	92901-10100-00	WASHER, SPRING .....	1	
22	90105-12252-00	BOLT, WASHER BASED .....	2	
23	95816-08060-00	BOLT, FLANGE .....	4	
24	92906-08100-00	WASHER, SPRING .....	4	
25	90176-08034-00	NUT, crown .....	4	
26	26H-2117M-00-00	COVER 2 .....	1	
27	26H-2117N-00-00	COVER 3 .....	1	
28	26H-2117R-00-00	COVER 4 .....	1	

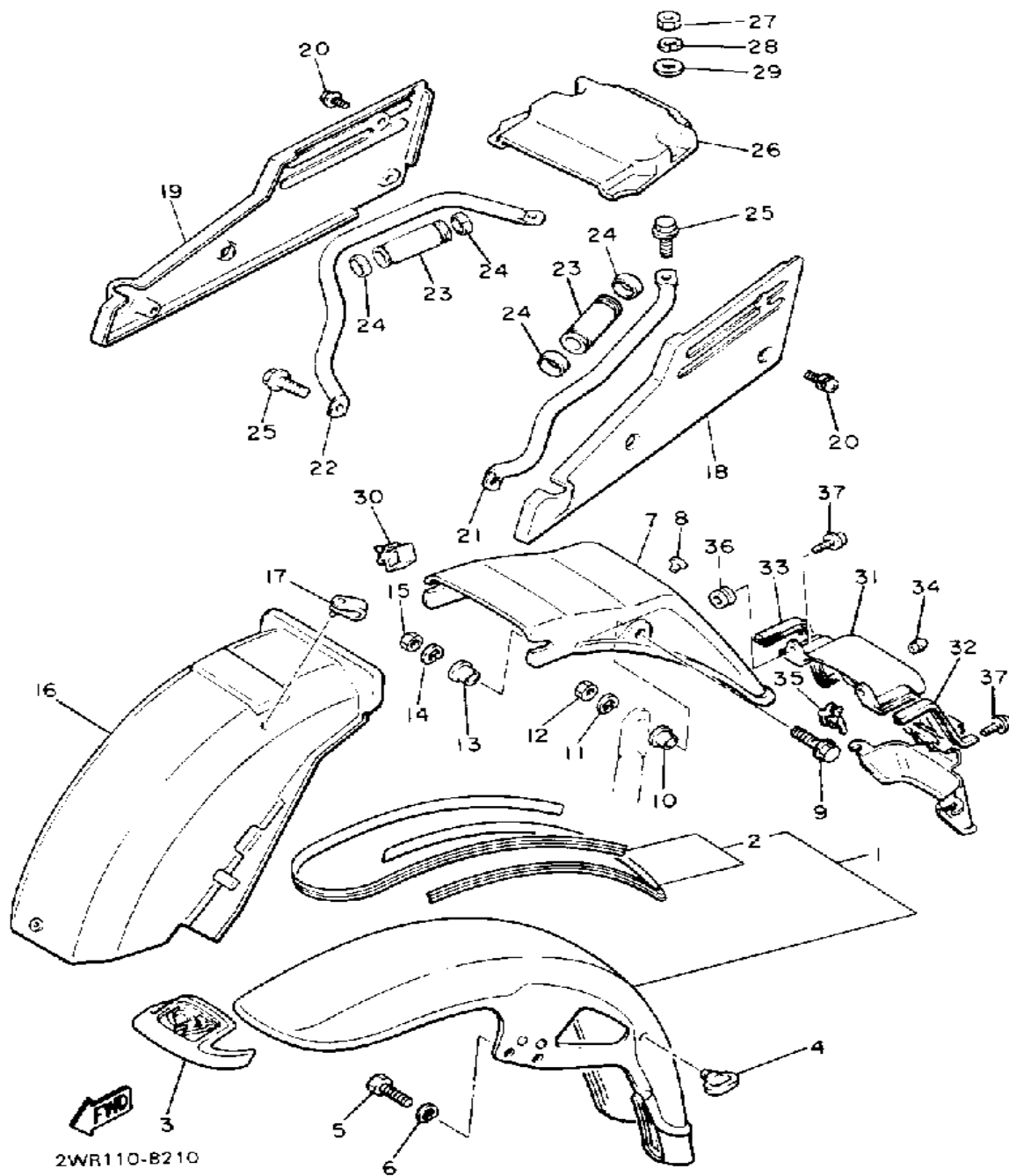
CONTINUED ON NEXT FRAME ►

# FRAME



Ref. No.	Part Number	Description	Qty	Remarks
29	26H-2117V-00-00	COVER 7 .....	1	
30	26H-2117T-00-00	COVER 5 .....	1	
31	26H-2117U-00-00	COVER 6 .....	1	
32	26H-2117W-00-00	COVER 8 .....	1	
33	26H-2117X-00-00	COVER 9 .....	1	
34	26H-2117Y-00-00	COVER 0 .....	1	
35	26H-2117F-00-00	COVER .....	1	
36	1NL-W2810-00-00	TOOL KIT .....	1	

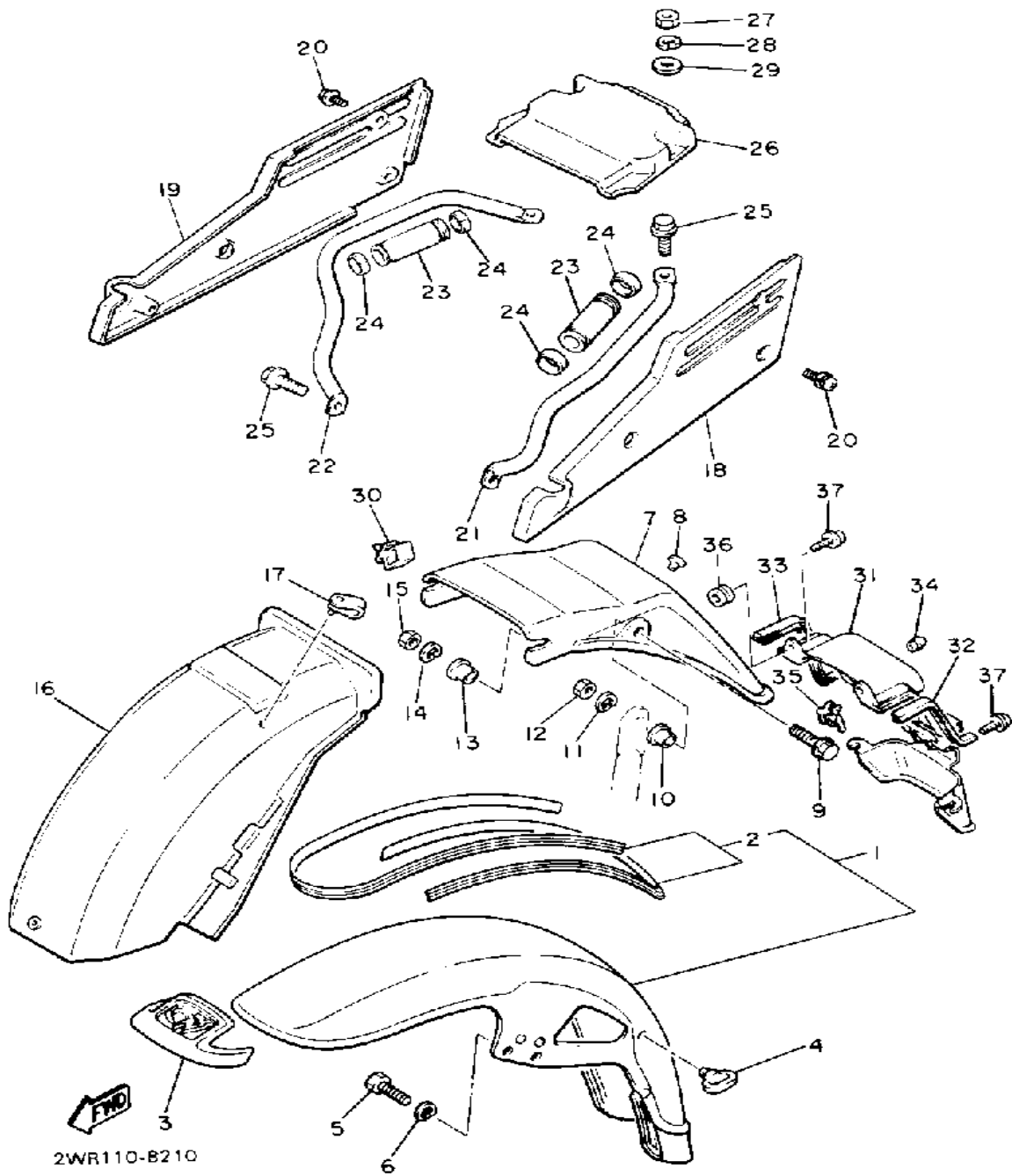
# FENDER



Ref. No.	Part Number	Description	Qty	Remarks
1	2WR-W2151-00-1Y	FRONT FENDERCOMP	1	UR GRATEFUL MAROON MIYABI MAR
	2WR-W2151-00-2Y	FRONT FENDERCOMP	1	UR DULL BLUE COCKTAIL 1 DARK
2	(2WR-21570-20-00) 2WR-21570-10-00	. GRPHC SET, FRT FNDR . GRPHC SET, FRT FNDR FRONT FENDER	1	UR FOR DBC1 UR FOR GRM
3	3JJ-21577-00-00	MASCOT	1	
4	1A8-21518-00-00	HOLDER, CABLE	1	
5	97001-08020-00	BOLT	4	
6	92990-08100-00	WASHER	4	
7	1NL-21611-00-00	FENDER, rear	1	
8	90338-07180-00	PLUG	2	
9	95821-08020-00	BOLT, FLANGE (95801-08020)	2	
10	90387-08564-00	COLLAR	2	
11	92990-08100-00	WASHER	2	
12	95333-08600-00	NUT	2	
13	90387-07717-00	COLLAR	2	
14	92995-06100-00	WASHER, SPRING	2	
15	95380-06600-00	NUT	2	
16	26H-21629-00-00	GUARD, mud	1	
17	90464-12027-00	CLAMP	1	
18	1NL-2163A-00-00	COVER, rear fender 1	1	
19	1NL-2163E-00-00	COVER, rear fender 2	1	
20	90159-05134-00	SCREW, w/washer	6	
21	1NL-21644-01-00	STAY, rear	1	
22	1NL-21645-01-00	STAY, rear	1	
23	1NL-2164A-00-00	GRIP 1	2	
24	1NL-21646-00-00	BAND	4	

CONTINUED ON NEXT FRAME ►

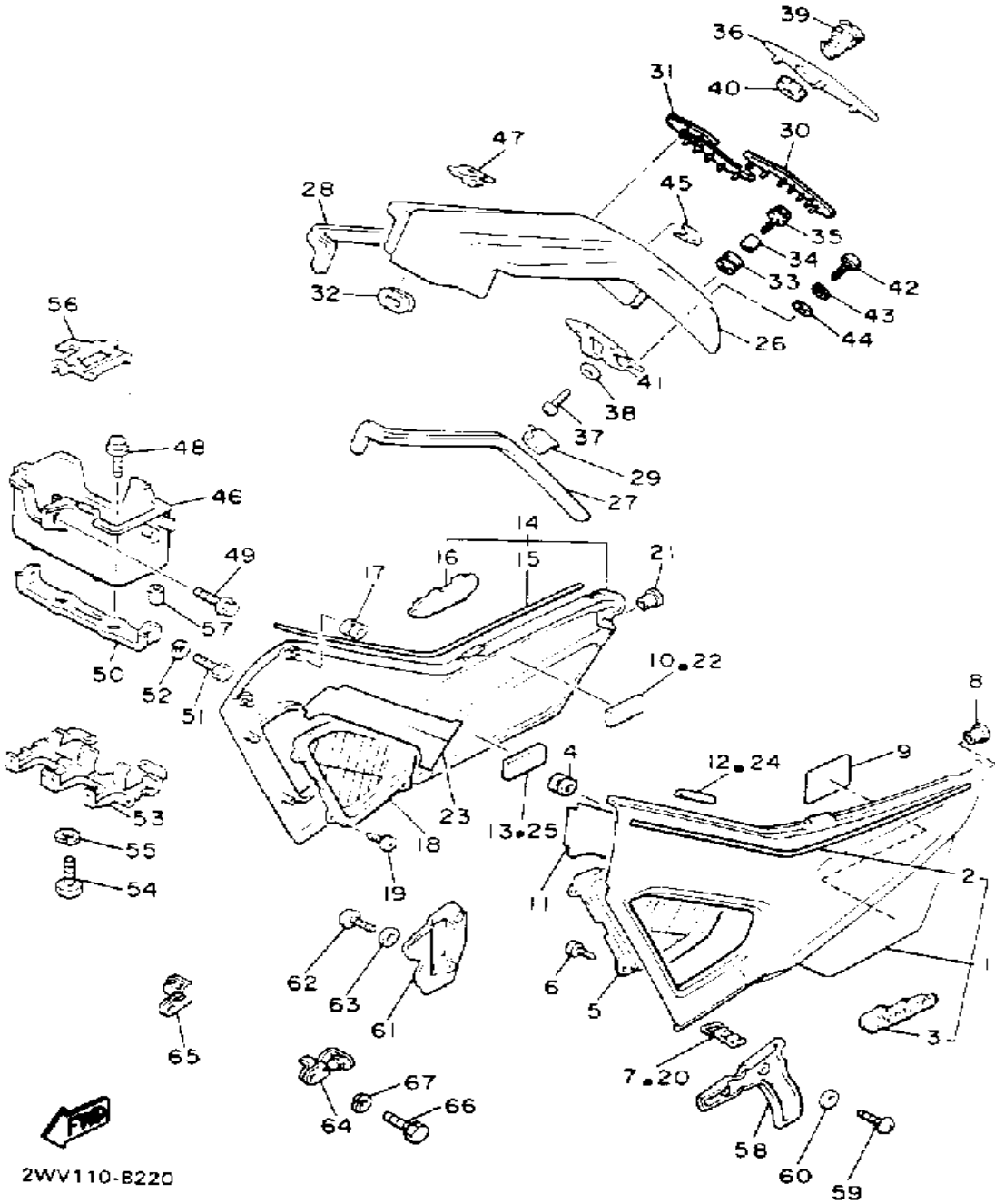
# FENDER



Ref. No.	Part Number	Description	Qty	Remarks
25	95811-08016-00	BOLT, FLANGE	4	
26	26H-2163F-01-00	COVER, rear fender 3	1	
27	95303-06800-00	NUT (CROWN)	2	
28	92995-06100-00	WASHER, SPRING	2	
29	90201-065K5-00	WASHER, PLATE	2	
30	90464-16025-00	CLAMP	1	
31	1NL-21621-01-00	FLAP	1	
32	1NL-21694-00-00	MOULDING	1	
33	1NL-21695-00-00	MOULDING	1	
34	4G0-21639-00-00	DAMPER 2	1	
35	1NL-21635-00-00	NUT, rear fender	2	
36	90480-12053-00	GROMMET	2	
37	90159-06093-00	SCREW, WITH WASHER	3	

# SIDE COVER

Ref. No.	Part Number	Description	Qty	Remarks
1	2WR-Y2171-01-9X	COVER SIDE 1 .....	1	UR GRACEFUL MAROON MIYABI MAR
	2WR-Y2171-21-0Y	COVER SIDE 1 .....	1	UR DULL BLUE COCKTAIL 1 DARK
2	2WR-2173E-10-00	. GRAPHIC .....	1	UR FOR GRM
	2WR-2173E-20-00	. GRAPHIC .....	1	UR FOR DBC1
3	26H-21783-00-00	. EMBLEM 4 (26H-21784-00) ..	1	
4	90480-13398-00	GROMMET .....	2	
5	54K-2171Y-02-00	GRILL, side cover 1 .....	1	
6	90164-04006-00	SCREW, TAPPING .....	5	
7	41R-2179E-00-00	BAND .....	1	
8	90480-12355-00	GROMMET .....	1	
9	3JJ-2179R-00-00	PLATE, EPA CAL 2 .....	1	UR (CALIF. MODEL ONLY)
	3JJ-2179V-00-00	PLATE, EPA U 9 .....	1	UR NON-CALIF.
10	41R-21717-00-00	DAMPER .....	1	
11	26H-2171J-00-00	LINING, side cover 1 .....	1	
12	26H-2171N-00-00	MOLE, side cover 3 .....	1	
13	41R-21717-00-00	DAMPER .....	1	
14	2WR-Y2172-01-9X	COVER, SIDE 2 .....	1	UR GRACEFUL MAROON MIYABI MAR
	2WR-Y2172-21-0Y	COVER, SIDE 2 .....	1	UR DULL BLUE COCKTAIL 1 DARK
15	2WR-2173F-10-00	. GRAPHIC .....	1	UR FOR GRM
	2WR-2173F-20-00	. GRAPHIC 2 .....	1	UR FOR DBC1
16	26H-21783-00-00	. EMBLEM 4 (26H-21784-00) ..	1	
17	90480-13398-00	GROMMET .....	2	
18	54K-2172Y-02-00	GRILL, side cover 2 .....	1	
19	90164-04006-00	SCREW, TAPPING .....	5	

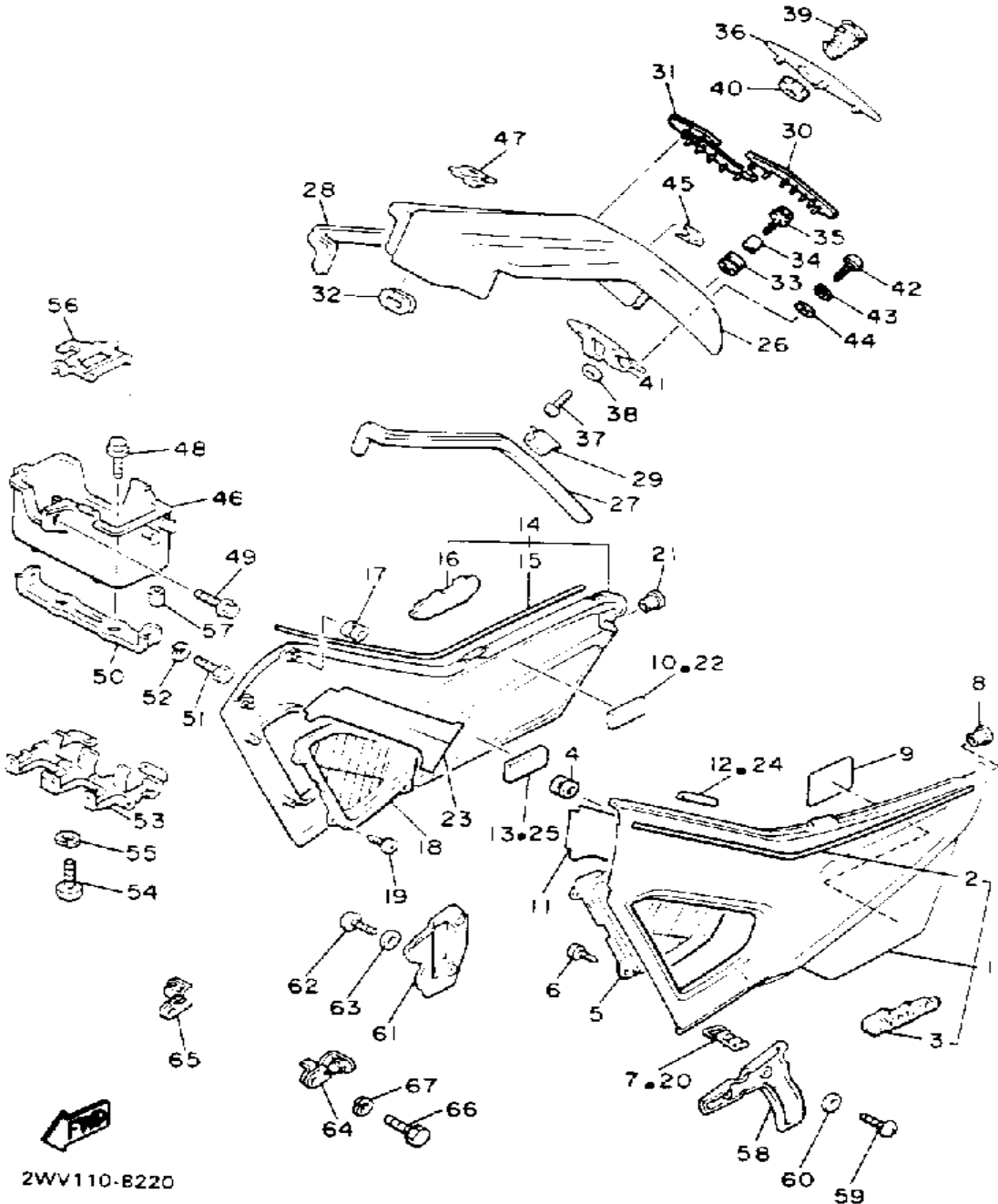


2WV110-B220

CONTINUED ON NEXT FRAME ➤

# SIDE COVER

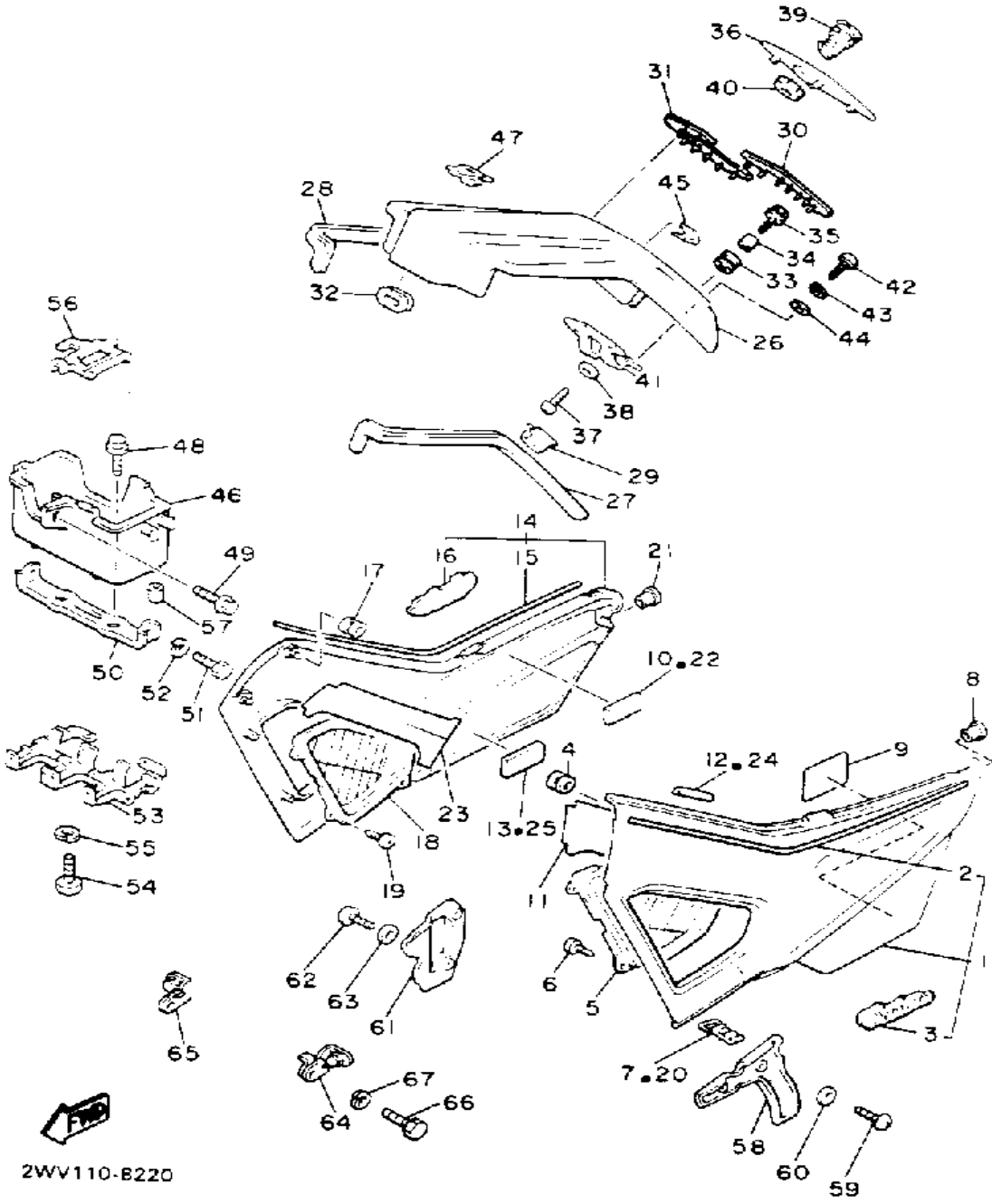
Ref. No.	Part Number	Description	Qty	Remarks
20	41R-2179E-00-00	BAND .....	1	
21	90480-12355-00	GROMMET .....	1	
22	41R-21717-00-00	DAMPER .....	1	
23	26H-2171K-00-00	LINING, side cover 2 .....	1	
24	26H-2171N-00-00	MOLE, side cover 3 .....	1	
25	41R-21717-00-00	DAMPER .....	1	
26	1NL-2171A-00-8B	COVER, TOP .....	1	UR DULL BLUE COCKTAIL 1
	1NL-2171A-00-R0	COVER, TOP .....	1	UR GRACEFUL MAROON
27	26H-2171L-00-00	MOLE, side cover 1 .....	1	
28	26H-2171M-00-00	MOLE, side cover 2 .....	1	
29	90468-03135-00	CLIP .....	12	
30	26H-2177M-00-00	DAMPER, locating 3 .....	1	
31	26H-2177N-00-00	DAMPER, locating 4 .....	1	
32	26H-21747-00-00	DAMPER .....	1	
33	90480-12067-00	GROMMET .....	1	
34	90387-053H3-00	COLLAR .....	1	
35	90119-05001-00	BOLT, WITH WASHER .....	1	
36	26H-2177E-00-8B	LID .....	1	UR DULL BLUE COCKTAIL 1
	26H-2177E-00-R0	LID .....	1	UR GRACEFUL MAROON
37	97701-50510-00	SCREW, tapping .....	2	
38	92990-05200-00	WASHER, PLAIN .....	2	
39	54K-21780-01-00	SIDE CVR LOCK ASSEMBLY ..	1	
40	90170-22187-00	NUT .....	1	
41	26H-21796-01-00	HINGE .....	1	
42	98516-05012-00	SCREW, PAN HEAD 4CG .....	2	
43	92906-05100-00	WASHER, SPRING .....	2	



CONTINUED ON NEXT FRAME ►

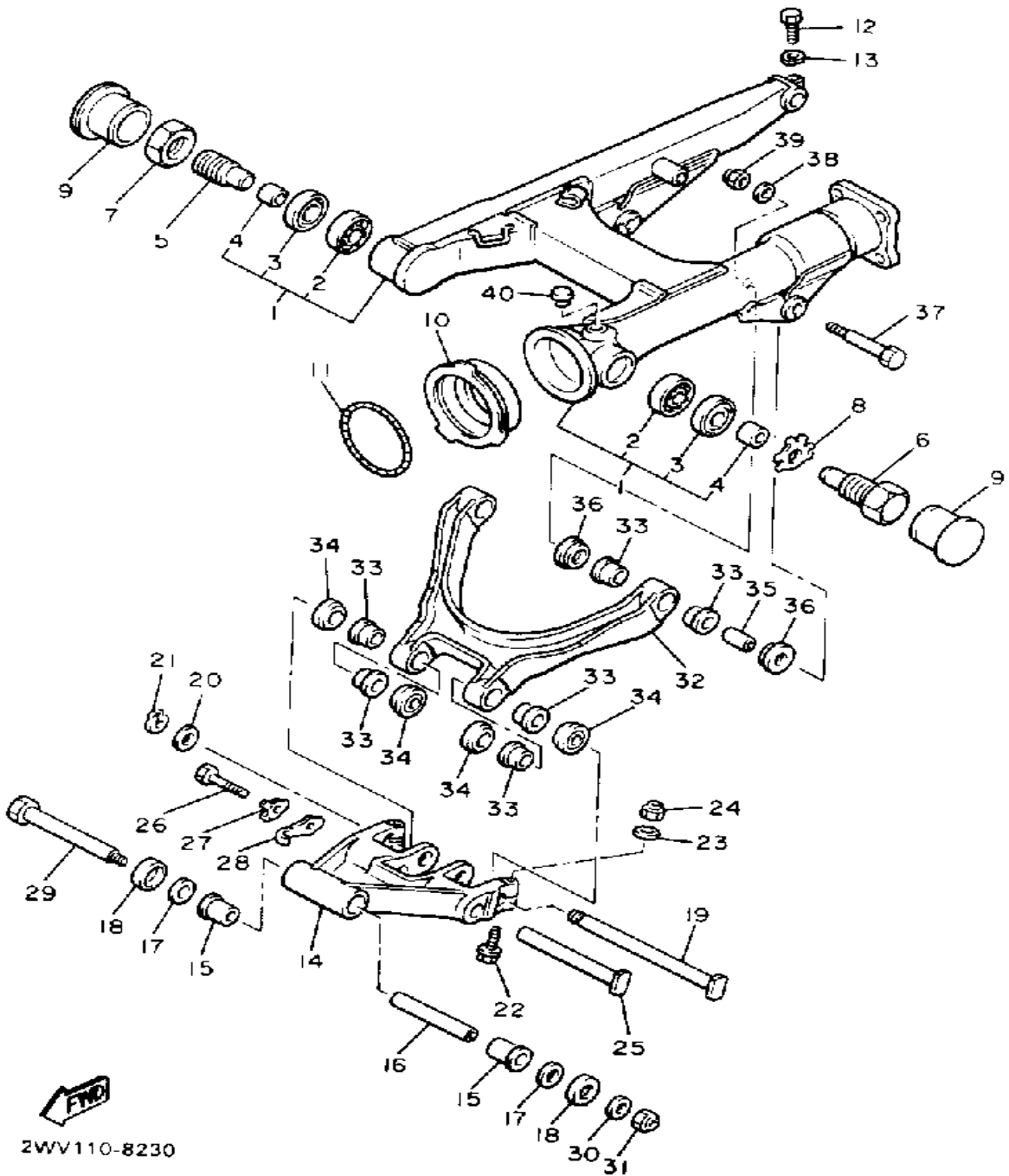
# SIDE COVER

Ref. No.	Part Number	Description	Qty	Remarks
44	92906-05200-00	WASHER, PLAIN	2	
45	26H-2177R-00-00	SPRING, plate	1	
46	(26H-2177G-00-00)	BOX, BATTERY	1	
47	31M-21782-01-00	EMBLEM 2	1	
48	90119-06056-00	BOLT, WITH WASHER	2	
49	90119-06060-00	BOLT, WITH WASHER	1	
50	26H-2172M-01-00	BRACKET 3	1	
51	97011-08016-00	BOLT	2	
52	92990-08100-00	WASHER	2	
53	26H-21243-01-00	PLATE, bridge	1	
54	97011-06016-00	BOLT	4	
55	92995-06100-00	WASHER, SPRING	4	
56	26H-2176E-00-00	PLATE	1	
57	16G-13569-00-00	PLUG, BLIND	1	
58	41R-21731-00-00	COVER, side 3	1	
59	98516-05012-00	SCREW, PAN HEAD 4CG	2	
60	92906-05600-00	WASHER, PLATE	2	
61	41R-21741-00-00	COVER, side 4	1	
62	98516-05012-00	SCREW, PAN HEAD 4CG	2	
63	92906-05600-00	WASHER, PLATE	2	
64	26H-2134K-00-00	BRACKET, horn	1	
65	26H-2134L-00-00	BRACKET, horn 2	1	
66	97016-08016-00	BOLT	2	
67	92906-08100-00	WASHER, SPRING	2	



2WV110-B220

# SWING ARM

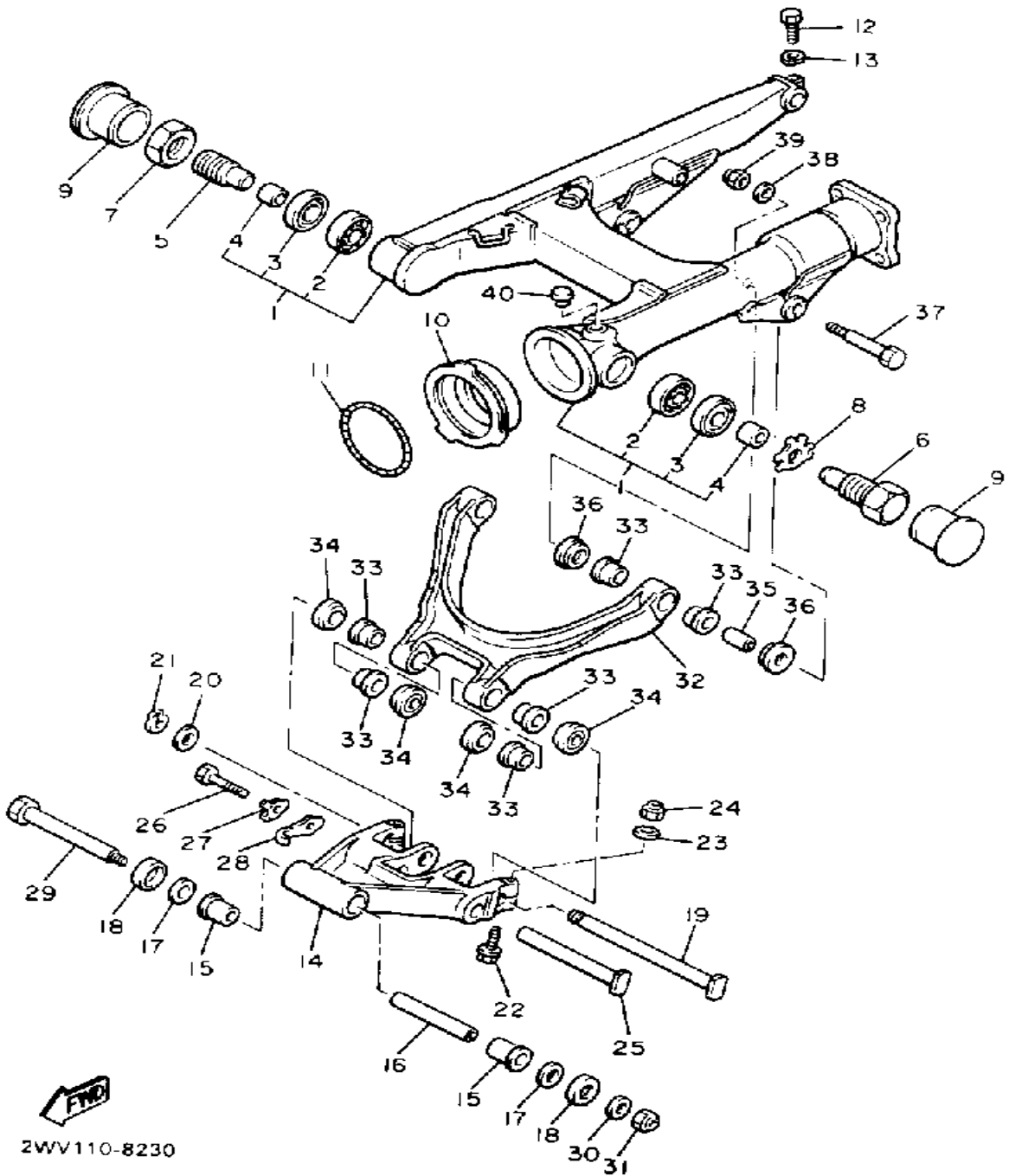


2WV110-8230

Ref. No.	Part Number	Description	Qty	Remarks
1	2WR-W2211-00-35	REAR ARM COMP .....	1	SILVER
2	93332-00050-00	. BEARING (HR30204J) .....	2	UR
	93332-00051-00	. BEARING (HI-CAP3 0204JR) .	2	UR
3	93102-28022-00	. OIL SEAL .....	2	
4	90387-204H5-00	. COLLAR .....	2	
5	26H-2214H-00-00	SHAFT, pivot 2 .....	1	
6	26H-22141-00-00	SHAFT, pivot .....	1	
7	26H-22143-00-00	NUT .....	1	
8	90215-25216-00	WASHER, lock .....	1	
9	26H-21279-00-00	PLUG, blind .....	2	
10	26H-22189-00-00	BOOT, RUBBER .....	1	
11	90506-07136-00	SPRING, TENSION .....	1	
12	97021-08035-00	BOLT .....	1	
13	92990-08100-00	WASHER .....	1	
14	(2WR-2217A-00-00)	ARM, RELAY .....	1	
15	90381-20069-00	BUSH, solid .....	2	
16	90387-144H4-00	COLLAR .....	1	
17	90202-20144-00	WASHER, plate .....	2	
18	26H-22128-00-00	COVER, thrust 1 .....	2	
19	2WR-22121-00-00	SHAFT 1 .....	1	
20	90201-187H4-00	WASHER, plate .....	1	
21	99009-18400-00	CIRCLIP .....	1	
22	95811-06045-00	BOLT, flange (95812-06045-00)	2	
23	92901-06600-00	WASHER .....	2	
24	95611-06100-00	NUT, u .....	2	
25	2WR-22122-00-00	SHAFT 2 .....	1	
26	97021-10050-00	BOLT .....	1	
27	90215-10274-00	WASHER, lock .....	1	
28	90465-16320-00	CLAMP .....	1	

CONTINUED ON NEXT FRAME ➤

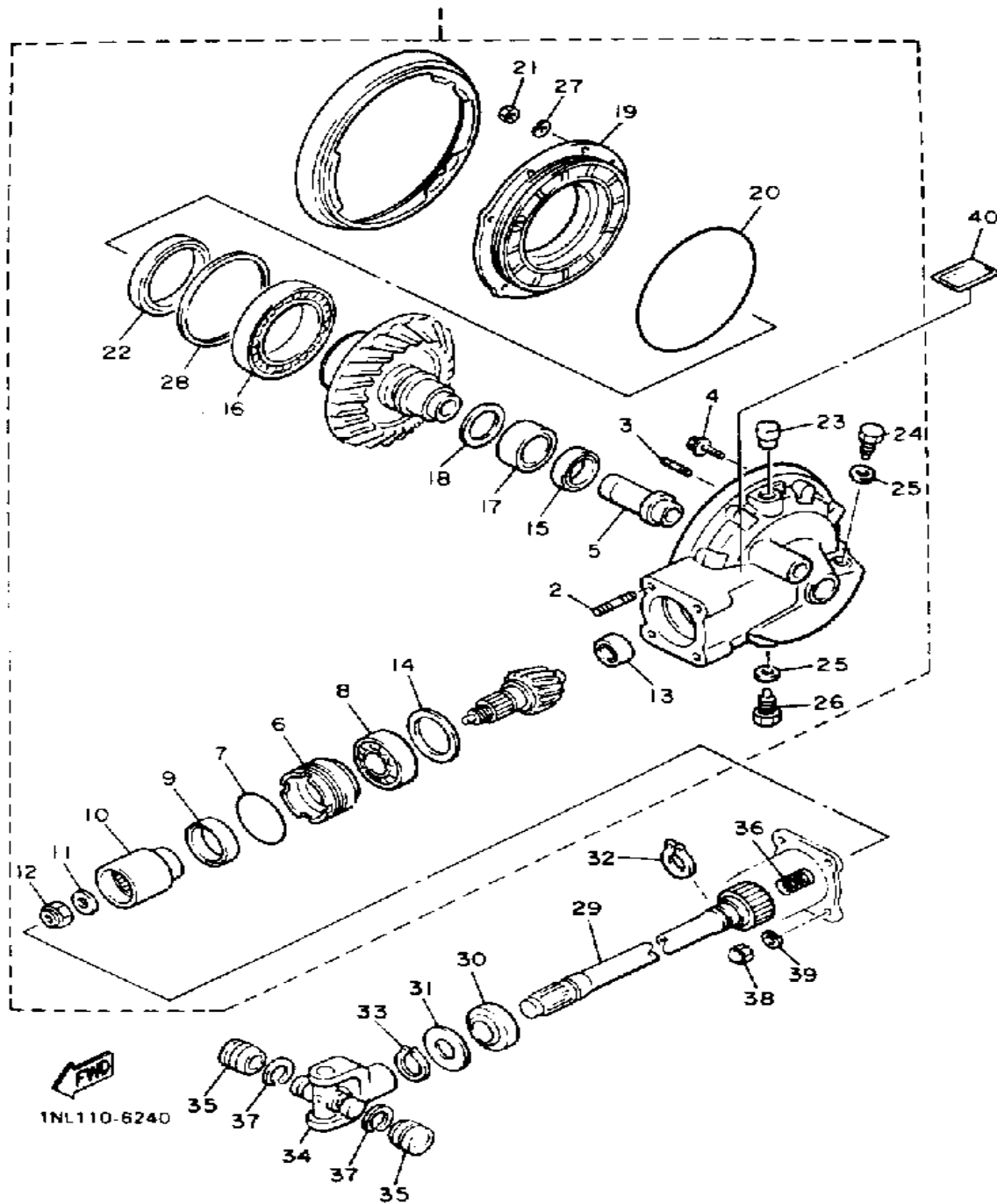
# SWING ARM



2WV110-8230

Ref. No.	Part Number	Description	Qty	Remarks
29	90101-12578-00	BOLT	1	
30	90201-120E6-00	WASHER, PLATE	1	
31	90185-12119-00	NUT, SELF-LOCKING	1	
32	2WR-2217M-00-00	INACTIVE PART NUMBER	1	
33	90381-18068-00	BUSH, solid	8	
34	26H-2217H-00-00	COVER, dust	4	
35	90387-124H1-00	COLLAR	2	
36	26H-22129-00-00	COVER, thrust 2	4	
37	90109-10720-00	BOLT	2	
38	90201-102A2-00	WASHER, PLATE	2	
39	90185-10037-00	NUT, SELF-LOCKING	2	
40	90338-20113-00	PLUG	1	

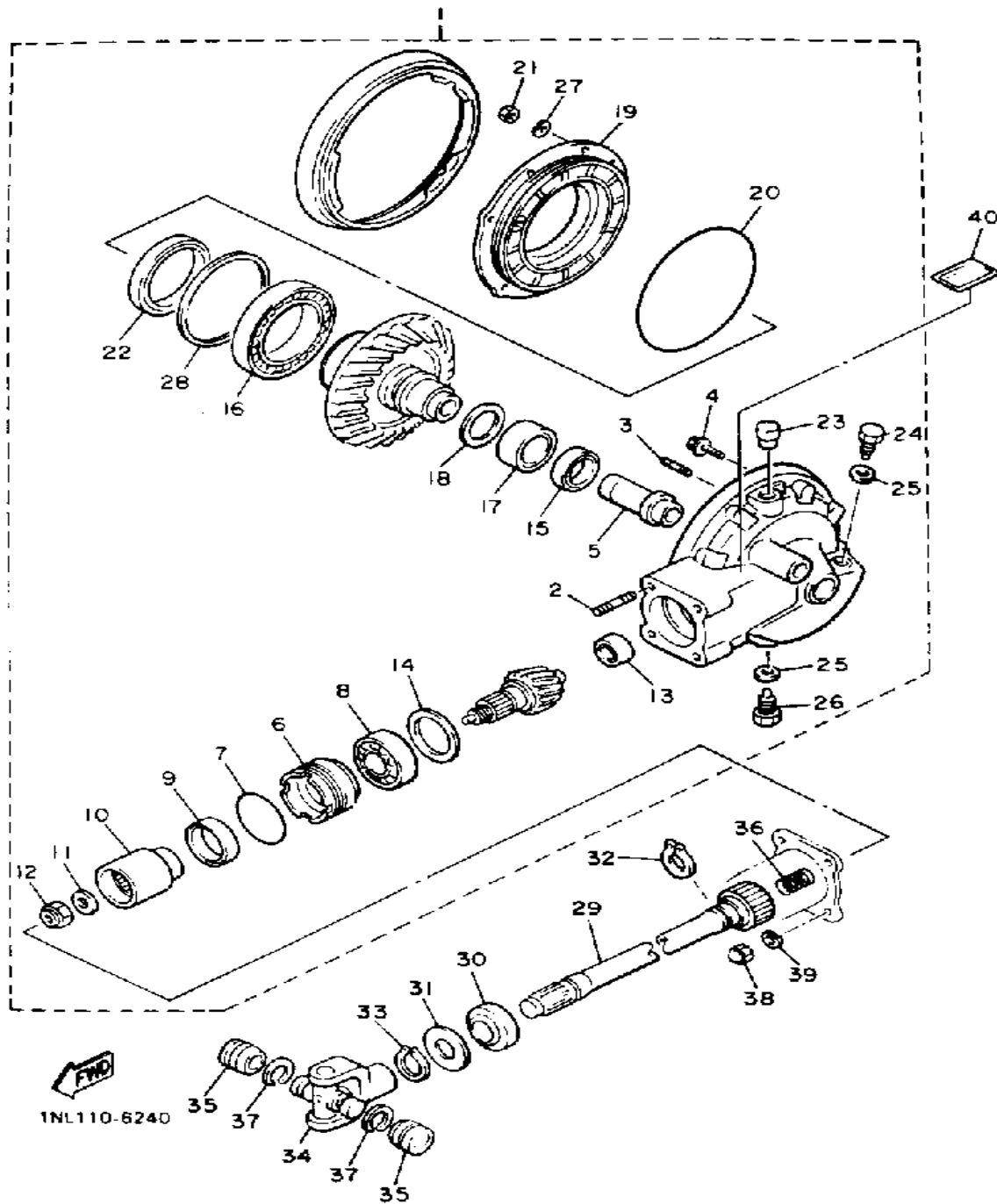
# DRIVE SHAFT



Ref. No.	Part Number	Description	Qty	Remarks
1	1NL-46101-00-00	REAR AXLE GEAR CASE ASS'Y	1	
2	90116-10428-00	. BOLT, STUD	4	
3	90116-08427-00	. BOLT, STUD	6	
4	95811-10050-00	. BOLT, FLANGE (95812-10050-00)	2	
5	1FK-46153-00-00	. COLLAR, GUIDE	1	
6	4H7-46125-00-00	. RETAINER, BEARING	1	
7	93210-60426-00	. O-RING	1	
8	93306-30533-00	. BEARING (B6305RB1 SPECIAL)	1	
9	93101-38098-00	. OIL SEAL	1	
10	4H7-46123-00-00	. COUPLING, GEAR	1	
11	90201-143K7-00	. WASHER, PLATE	1	
12	90179-14508-00	. NUT	1	
13	2H7-46102-00-00	. BEARING ASSEMBLY	1	
14	1J7-17537-Y0-30	. SHIM, THRUST (0.30T)	1	UR
	1J7-17537-Y0-40	. SHIM, THRUST (0.40T)	1	UR
	1J7-17537-Y0-50	. SHIM, THRUST (0.50T)	1	UR
15	93101-30084-00	. OIL SEAL	1	
16	93316-01403-00	. BEARING	1	
17	93311-43729-00	. BEARING	1	
18	22U-46118-00-12	. SHIM, THRUST (1.2T)	1	
	22U-46118-00-12	. SHIM, THRUST (1.2T)	1	UR
	22U-46118-00-14	. SHIM, THRUST (1.4T)	1	UR
	22U-46118-00-16	. SHIM, THRUST (1.6T)	1	UR
	22U-46118-00-18	. SHIM, THRUST (1.8T)	1	UR
	22U-46118-00-20	. SHIM, THRUST (2.0T)	1	UR
19	1FK-46152-01-00	. HOUSING, BEARING	1	
20	93211-54698-00	. O-RING	1	

CONTINUED ON NEXT FRAME ►

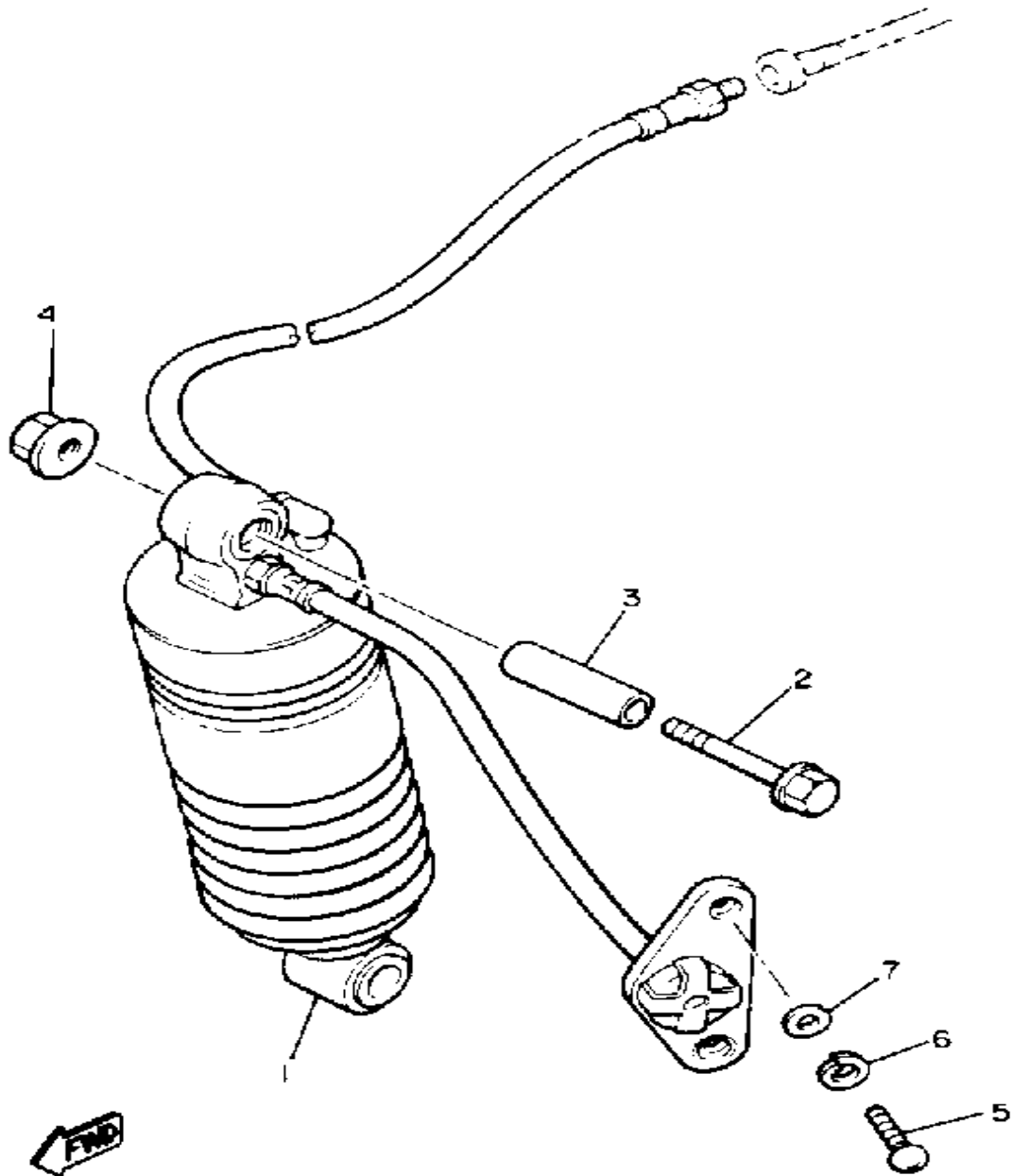
# DRIVE SHAFT



Ref. No.	Part Number	Description	Qty	Remarks
21	95333-08600-00	. NUT	6	
22	93102-70167-00	. OIL SEAL	1	
23	2H7-17590-00-00	. BREATHER COMP.	1	
24	3VD-13455-00-00	. PLUG	1	
25	214-11198-01-00	. GASKET	2	
26	90340-14118-00	. PLUG, STRAIGHT	1	
27	92901-08700-00	. WASHER, WAVE	1	
28	1J7-46117-Y0-25	. SHIM, RING GEAR (0.25T)	1	UR
	1J7-46117-Y0-30	. SHIM, RING GEAR (0.30T)	1	UR
	1J7-46117-Y0-35	. SHIM, RING GEAR	1	UR
	1J7-46117-Y0-40	. SHIM, RING GEAR (0.40T)	1	UR
	1J7-46117-Y0-50	. SHIM, RING GEAR (0.50T)	1	UR
29	1NL-46172-00-00	SHAFT, drive	1	
30	93108-23007-00	OIL SEAL	1	
31	90201-231A2-00	WASHER, PLATE	1	
32	93410-23056-00	CIRCLIP	1	
33	93410-22039-00	CIRCLIP	1	
34	4X7-46180-00-00	CROSS JOINT COMP.	1	
35	93399-99926-00	BEARING	2	
36	90501-16491-00	SPRING, COMPRESSION	1	
37	93440-20088-00	CIRCLIP	2	
38	90176-10049-00	NUT, CROWN	4	
39	92990-10100-00	WASHER, SPRING	4	
40	31A-46181-00-00	LABEL, OIL CAUTION	1	

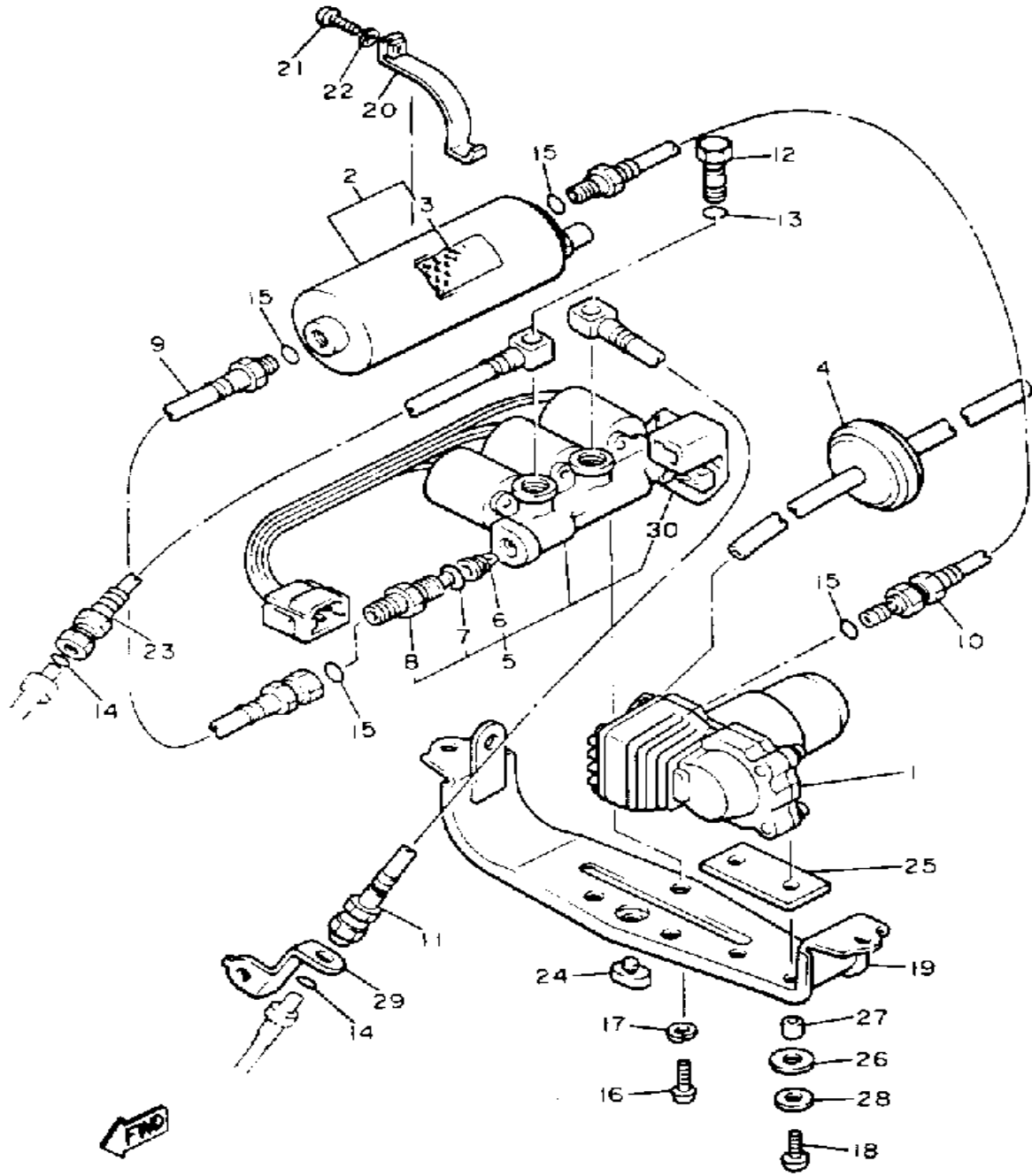
# REAR SHOCKS

Ref. No.	Part Number	Description	Qty	Remarks
1	3JJ-22210-10-00	SHOCK ABSORBER ASS'Y, rear (31M-22210-01)	1	
2	90105-10250-00	BOLT, WASHER BASED	1	
3	90387-124H0-00	COLLAR	1	
4	95601-10200-00	NUT, SELF-LOCKING	1	
5	98503-06014-00	SCREW, PAN HEAD (92502-06016)	2	
6	92995-06100-00	WASHER, SPRING	2	
7	92990-06600-00	WASHER, PLATE	2	



**FWD**  
2WR110-8250

# LEVELING UNIT

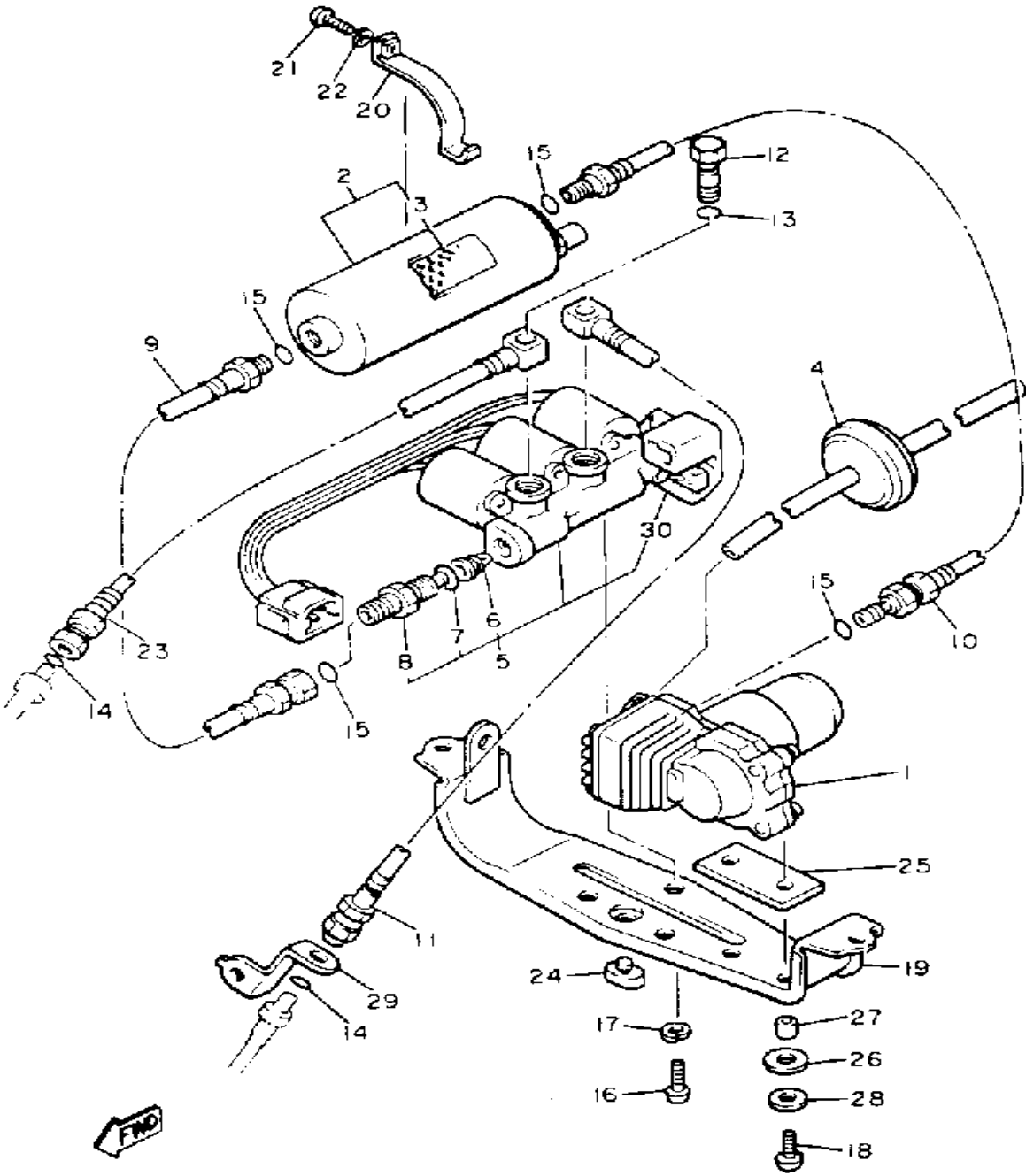


2WR110-B26C

Ref. No.	Part Number	Description	Qty	Remarks
1	31M-22910-00-00	AIR COMPRESSOR ASS'Y	1	
2	31M-22940-00-00	DRYER AAS'Y	1	
3	31M-22945-00-00	. DESICCANT	1	
4	31M-22950-00-00	SUCTION FILTER ASS'Y	1	
5	31M-22960-00-00	VALVE ASS'Y	1	
6	31M-13512-00-00	. VALVE, reed	1	
7	93210-06632-00	. O-RING	1	
8	31M-22962-00-00	. ADAPTER	1	
9	31M-22906-00-00	HOSE ASS'Y 1	1	
10	31M-22907-00-00	HOSE ASS'Y 2	1	
11	31M-22908-00-00	HOSE ASS'Y 3	1	
12	31M-22955-00-00	BOLT, union	2	
13	93210-10166-00	O-RING	2	
14	93210-05098-00	O-RING	2	
15	93210-06632-00	O-RING	4	
16	98580-06010-00	SCREW, PAN HEAD (92503-06010)	2	
17	92995-06100-00	WASHER, SPRING	2	
18	98580-05016-00	SCREW, PAN HEAD	2	
19	31M-21688-00-00	BRACKET, read stay	1	
20	31M-21647-00-00	BAND	1	
21	98580-05010-00	SCREW, PAN HEAD	1	
22	92990-05100-00	WASHER, SPRING	1	
23	31M-22909-00-00	HOSE ASS'Y 4	1	
24	(31M-22958-00-00)	HOSE ASSEMBLY 4	2	
25	(31M-22928-00-00)	DAMPER	1	
26	(90201-083H9-00)	WASHER, PLATE	2	
27	90387-05682-00	COLLAR	2	
28	90201-05032-00	WASHER, PLATE	2	

CONTINUED ON NEXT FRAME ►

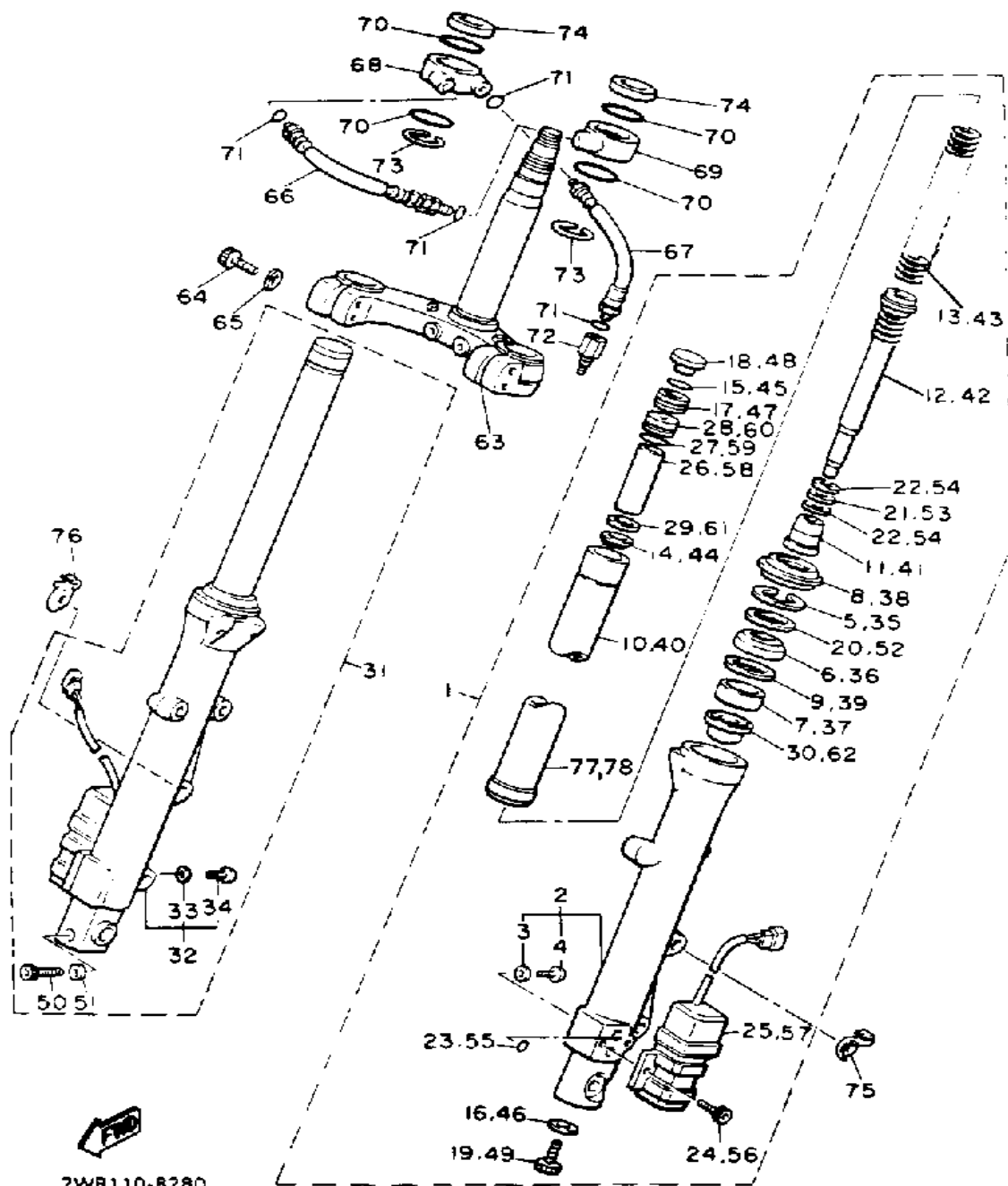
# LEVELING UNIT



Ref. No.	Part Number	Description	Qty	Remarks
29	(31M-22957-00-00)	BRACKET, HOSE .....	1	
30	31M-22960-00-00	VALVE ASS"Y .....	1	

2WR110-B26C

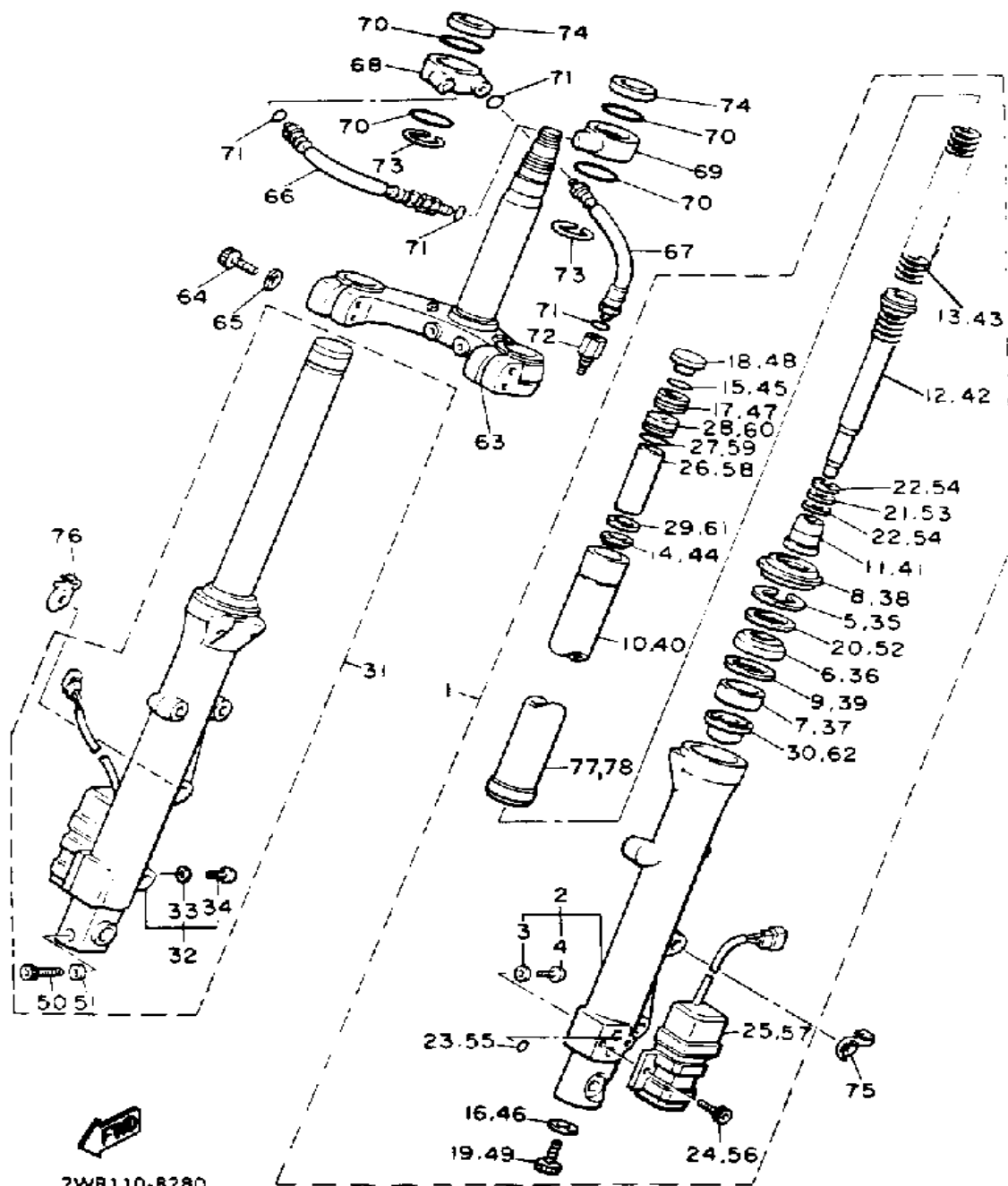
# FRONT FORK



Ref. No.	Part Number	Description	Qty	Remarks
1	2WR-23102-01-00	FRONT FORK ASSEMBLY LH	1	
2	2WR-23126-00-00	. TUBE, OUTER 1	1	
3	122-23129-00-00	.. GASKET, DRAIN PLUG	1	
4	4H7-23119-00-00	.. PLUG, DRAIN - (122-23119-01)	1	
5	26H-23156-00-00	. CLIP, OIL SEAL	1	
6	1NL-23145-00-00	. OIL SEAL	1	
7	3JJ-23125-00-00	. METAL, slide 1	1	
8	26H-23144-00-00	. SEAL, DUST	1	
9	26H-23149-00-00	. WASHER, spring upper	1	
10	3JJ-23110-00-00	. INNER TUBE COMP. 1	1	
11	26H-23173-00-00	. SPINDLE, taper	1	
12	2WR-23170-01-00	. CYLINDER COMP., front fork	1	
13	41R-23141-00-00	. SPRING, front fork	1	
14	1FK-23142-00-00	. SEAT, SPRING UPPER	1	
15	26H-23147-00-00	. O-RING	1	
16	2K8-23158-L0-00	. GASKET	1	
17	1NL-23111-00-00	. BOLT, cap	1	
18	26H-23168-00-00	. CAP, front fork	1	
19	1NL-23181-00-00	. BOLT, hexagon socket head	1	
20	26H-23146-00-00	. WASHER, oil seal	1	
21	26H-2319L-00-00	. WASHER	1	
22	26H-2319M-00-00	. SPRING, valve	2	
23	1NL-23147-00-00	. O-RING	2	
24	22N-23346-00-00	. BOLT 1	2	
25	2WR-2310E-00-00	. A.N.D. MODULATOR ASS'Y 1	1	
26	1NL-2316E-00-00	. SPACER	1	
27	1NL-23188-00-00	. O-RING	1	
28	1NL-2319U-00-00	. CAP	1	

CONTINUED ON NEXT FRAME ►

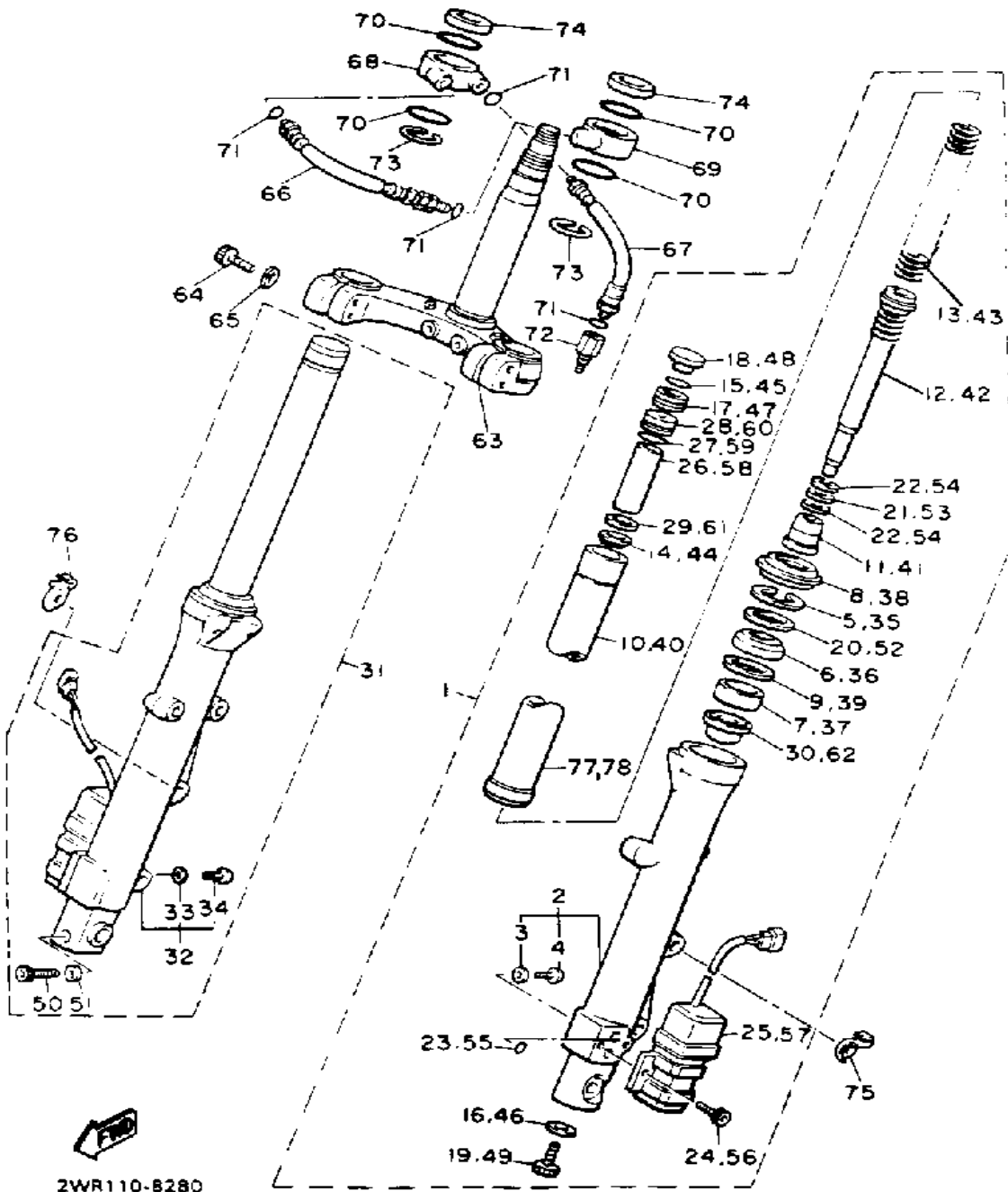
# FRONT FORK



Ref. No.	Part Number	Description	Qty	Remarks
29	1NL-23188-10-00	. O-RING .....	1	
30	2WR-2318U-00-00	. PLATE, seat .....	1	
31	2WR-23103-01-00	FRONT FORK ASSEMBLY RH .	1	
32	2WR-23136-00-00	. TUBE, OUTER 2 .....	1	
33	122-23129-00-00	.. GASKET, DRAIN PLUG .....	1	
34	4H7-23119-00-00	.. PLUG, DRAIN - (122-23119-01) .....	1	
35	26H-23156-00-00	. CLIP, OIL SEAL .....	1	
36	1NL-23145-00-00	. OIL SEAL .....	1	
37	3JJ-23125-00-00	. METAL, slide 1 .....	1	
38	26H-23144-00-00	. SEAL, DUST .....	1	
39	26H-23149-00-00	. WASHER, spring upper .....	1	
40	3JJ-23110-00-00	. INNER TUBE COMP. 1 .....	1	
41	26H-23173-00-00	. SPINDLE, taper .....	1	
42	2WR-23170-01-00	. CYLINDER COMP., front fork	1	
43	41R-23141-00-00	. SPRING, front fork .....	1	
44	1FK-23142-00-00	. SEAT, SPRING UPPER .....	1	
45	26H-23147-00-00	. O-RING .....	1	
46	2K8-23158-L0-00	. GASKET .....	1	
47	1NL-23111-00-00	. BOLT, cap .....	1	
48	26H-23168-00-00	. CAP, front fork .....	1	
49	1NL-23181-00-00	. BOLT, hexagon socket head .	1	
50	91311-08040-00	. BOLT, SOCKET HEAD .....	1	
51	90201-08085-00	. WASHER, PLATE .....	1	
52	26H-23146-00-00	. WASHER, oil seal .....	1	
53	26H-2319L-00-00	. WASHER .....	1	
54	26H-2319M-00-00	. SPRING, valve .....	2	
55	1NL-23147-00-00	. O-RING .....	2	
56	22N-23346-00-00	. BOLT 1 .....	2	

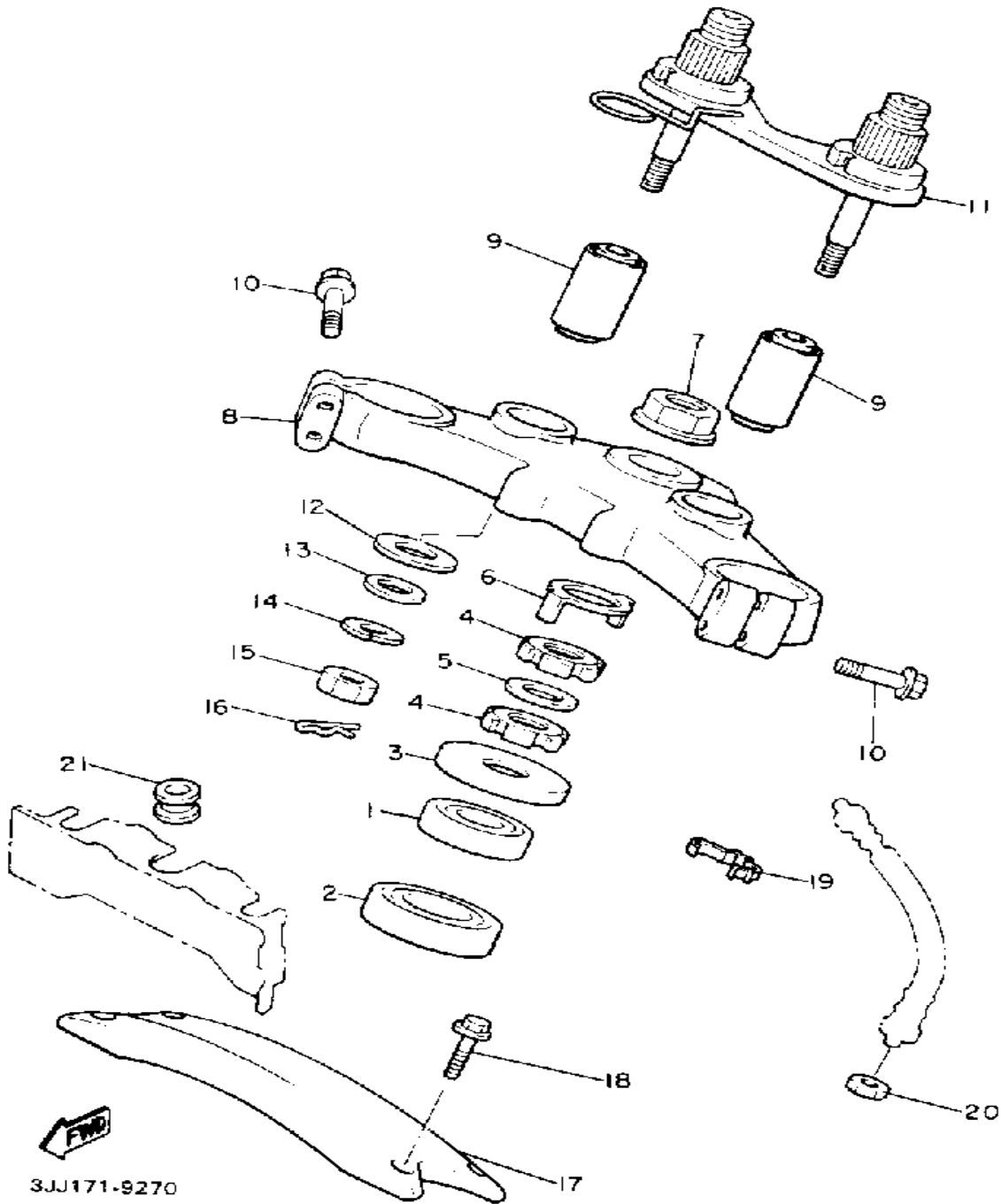
CONTINUED ON NEXT FRAME ►

# FRONT FORK



Ref. No.	Part Number	Description	Qty	Remarks
57	2WR-2310E-00-00	. A.N.D. MODULATOR ASS'Y 1	1	
58	1NL-2316E-00-00	. SPACER	1	
59	1NL-23188-00-00	. O-RING	1	
60	1NL-2319U-00-00	. CAP	1	
61	1NL-23188-10-00	. O-RING	1	
62	2WR-2318U-00-00	. PLATE, seat	1	
63	2WR-23340-01-00	UNDER BRACKET COMP	1	
64	91311-08035-00	BOLT	4	
65	92990-08100-00	WASHER	4	
66	2LV-2318F-00-00	HOSE, air	1	
67	1NL-2318K-00-00	HOSE, air 2	1	
68	26H-2319A-00-00	JOINT, air 2	1	
69	26H-2318A-00-00	JOINT, air 1	1	
70	26H-23188-00-00	O-RING	4	
71	3J2-23147-00-00	O-RING	4	
72	31M-2318E-00-00	CONNECTOR	1	
73	26H-23153-00-00	RING, snap	2	
74	26H-23163-00-00	GASKET	2	
75	2WR-23318-00-00	HOLDER, cable 1	1	
76	2WR-23319-00-00	HOLDER, cable 2	1	
77	3JJ-23171-00-00	PISTON, front fork	1	
78	3JJ-23171-00-00	PISTON, front fork	1	

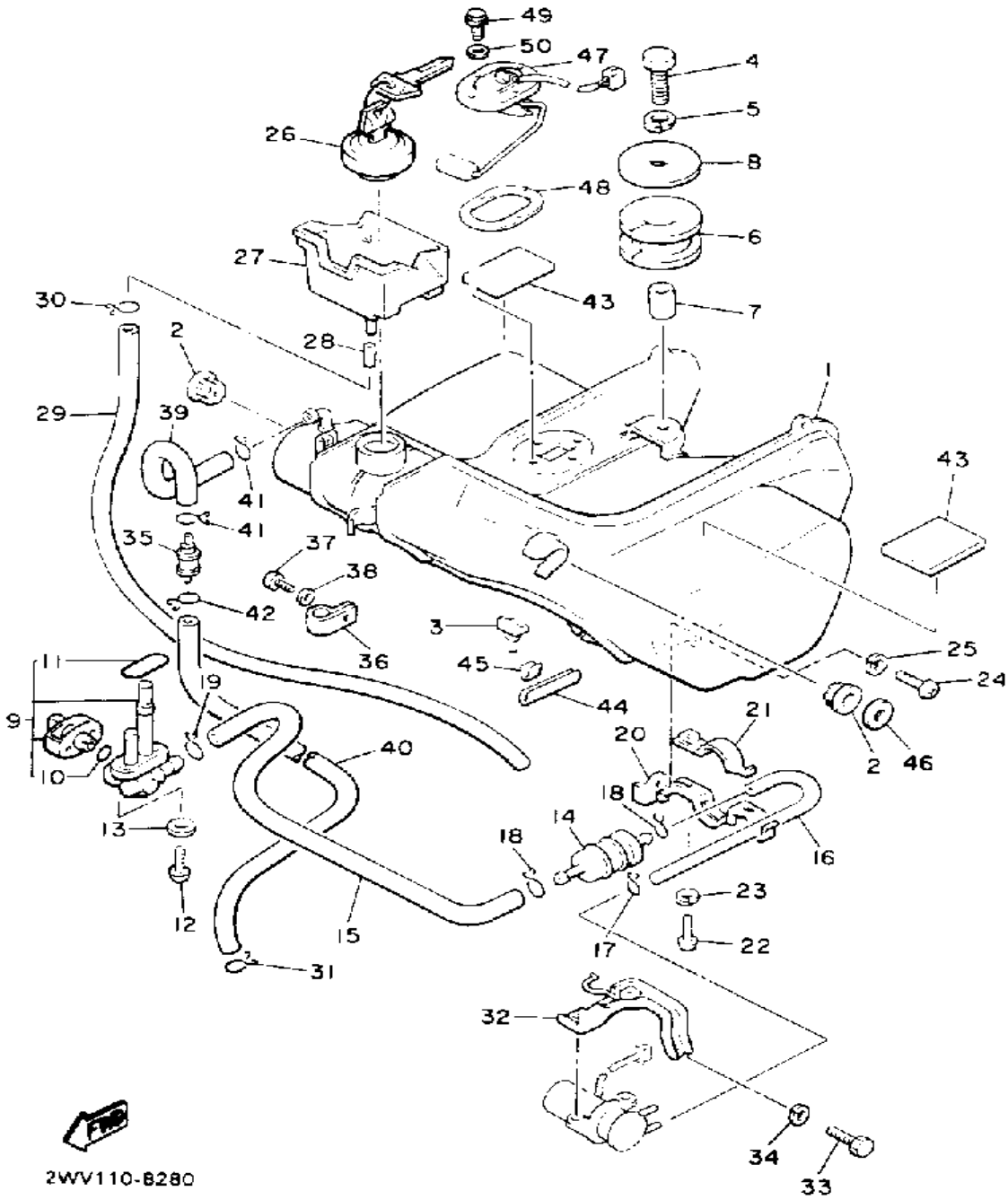
# STEERING



3JJ171-9270

Ref. No.	Part Number	Description	Qty	Remarks
1	93332-00001-00	BEARING	1	
2	93332-00008-00	BEARING	1	
3	1J7-23415-00-00	COVER, BALL RACE 1	1	
4	90179-25033-00	NUT	2	
5	90202-26142-00	WASHER, PLATE	1	
6	26H-23418-01-00	WASHER, SPECIAL	1	
7	90179-22412-00	NUT	1	
8	1NL-23440-00-98	CROWN, handle	1	LOW GLOSS BLK
9	1NL-23434-00-00	HOLDER, damper	2	
10	95816-08045-00	BOLT, FLANGE	4	
11	1NL-23442-00-00	HOLDER, handle lower	1	
12	90202-19173-00	WASHER, plate	2	
13	90201-126K4-00	WASHER, plate	2	
14	92901-12100-00	WASHER, SPRING	2	
15	95301-12700-00	NUT (95302-12700)	2	
16	90468-12124-00	CLIP	2	
17	26H-2313A-00-00	BRACE, fork	1	
18	90105-08705-00	BOLT, WASHER BASED	4	
19	90465-14310-00	CLAMP	6	
20	95303-10700-00	NUT	1	
21	90480-14455-00	GROMMET	1	

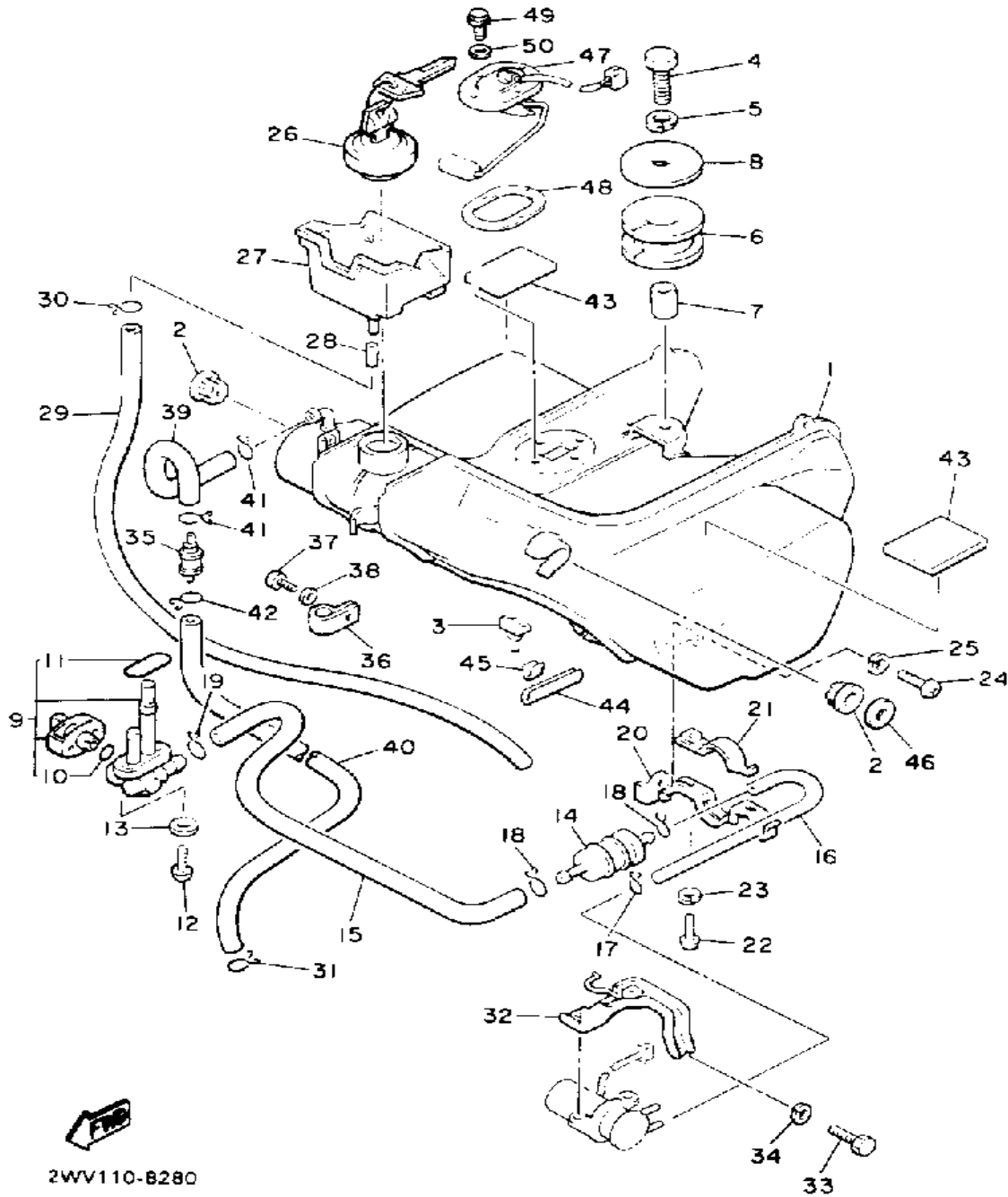
# FUEL TANK



Ref. No.	Part Number	Description	Qty	Remarks
1	54K-24110-00-33	FUEL TANK COMP	1	YAMAHA BLK
2	26H-24181-00-00	DAMPER, locating 1	2	
3	26H-24182-01-00	DAMPER, locating 2	2	
4	97003-08040-00	BOLT (82G)	1	
5	92990-08100-00	WASHER	1	
6	90480-20357-00	GROMMET	1	
7	90387-084R5-00	COLLAR	1	
8	90201-08569-00	WASHER, PLATE	1	
9	3JJ-24500-00-00	FUEL COCK ASS'Y 1	1	
10	4X8-24534-00-00	. SEAL, COCK	1	
11	4X8-24512-00-00	. O-RING	1	
12	90149-06011-00	SCREW	2	
13	90202-05187-00	WASHER, PLATE	2	
14	1FK-24560-00-00	FILTER ASSEMBLY	1	
15	41R-24314-00-00	PIPE 4	1	
16	26H-24315-01-00	PIPE 5	1	
17	90467-10091-00	CLIP, SCISSOR	1	
18	90467-11044-00	CLIP	2	
19	90467-10091-00	CLIP, SCISSOR	1	
20	26H-24566-02-00	BRACKET, filter	1	
21	26H-24568-00-00	BAND, FILTER	1	
22	98580-05016-00	SCREW, PAN HEAD	1	
23	92990-05100-00	WASHER, SPRING	1	
24	98580-05016-00	SCREW, PAN HEAD	1	
25	92990-05100-00	WASHER, SPRING	1	
26	47G-24650-00-00	CAP ASSEMBLY	1	
27	54K-2414A-00-00	COVER, filler	1	
28	(54K-24376-00-00)	PIPE, JOINT 1	1	
29	90445-042E2-00	HOSE	1	

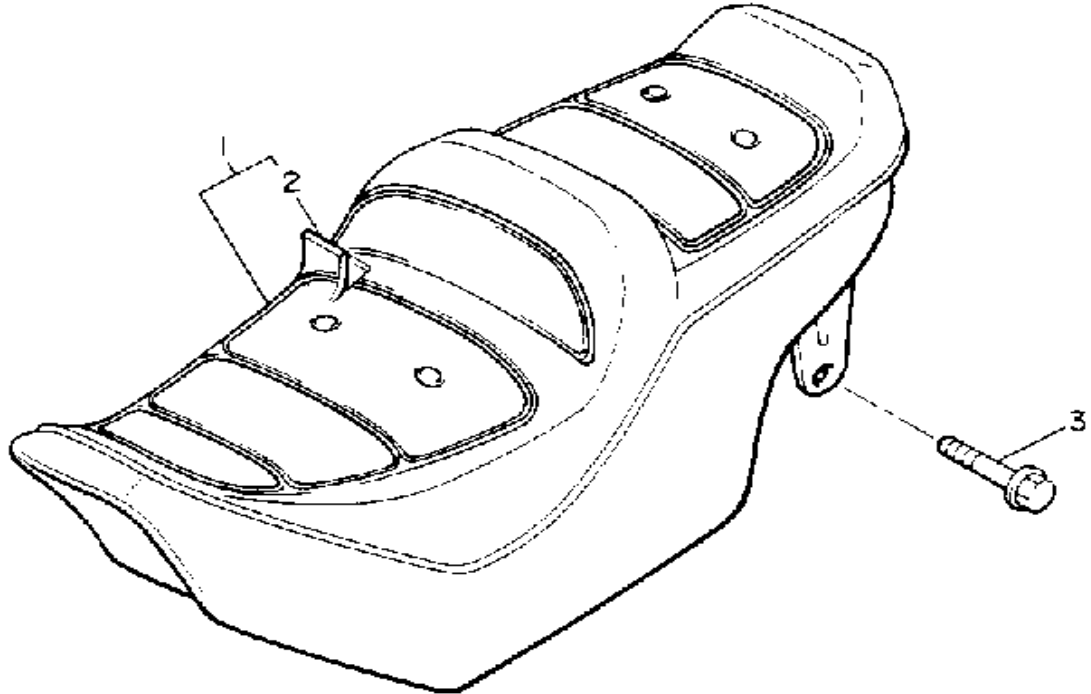
CONTINUED ON NEXT FRAME ►

# FUEL TANK

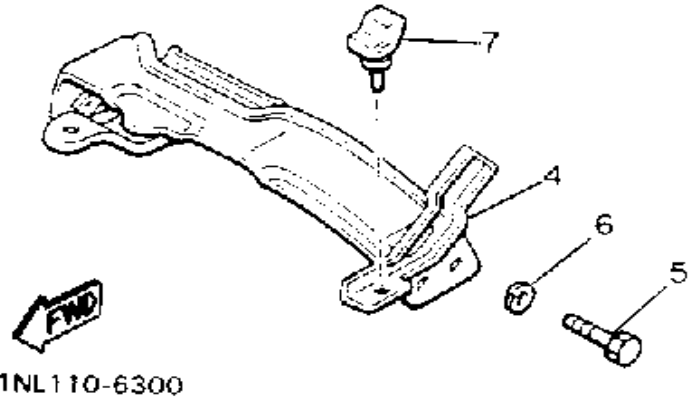


Ref. No.	Part Number	Description	Qty	Remarks
30	90467-08021-00	CLIP	1	
31	90467-08003-00	CLIP	1	
32	26H-24491-01-00	BRACKET, fuel pump	1	
33	97013-06012-00	BOLT	2	
34	92995-06100-00	WASHER, SPRING	2	
35	25H-24180-00-00	ROLL OVER VALVE ASSEMBLY	1	
36	90461-15100-00	CLAMP	1	
37	98580-05010-00	SCREW, PAN HEAD	1	
38	92901-05600-00	WASHER, PLATE	1	
39	54K-24311-00-00	PIPE, fuel 1	1	
40	(54K-24312-00-00) ϕ1U-W2431-20-00	PIPE 2 UNAVAILABLE IN PRICE BOOK	1	UR NON-CALIF UR FOR CALIF.
41	90467-10008-00	CLIP	2	UR NON-CALIF
42	90467-08003-00	CLIP	1	UR NON-CALIF
43	31A-21638-00-00	DAMPER 1	2	
44	26H-24188-00-00	MOLD, fuel tank	2	
45	90468-03063-00	CLIP	4	
46	90202-16163-00	WASHER, plate	2	
47	26H-85752-00-00	SENDER UNIT ASS'Y, fuel meter	1	
48	2H7-85753-00-00	GASKET, SENDER UNIT	1	
49	95821-06014-00	BOLT, FLANGE	4	
50	90202-05187-00	WASHER, PLATE	4	

# SEAT

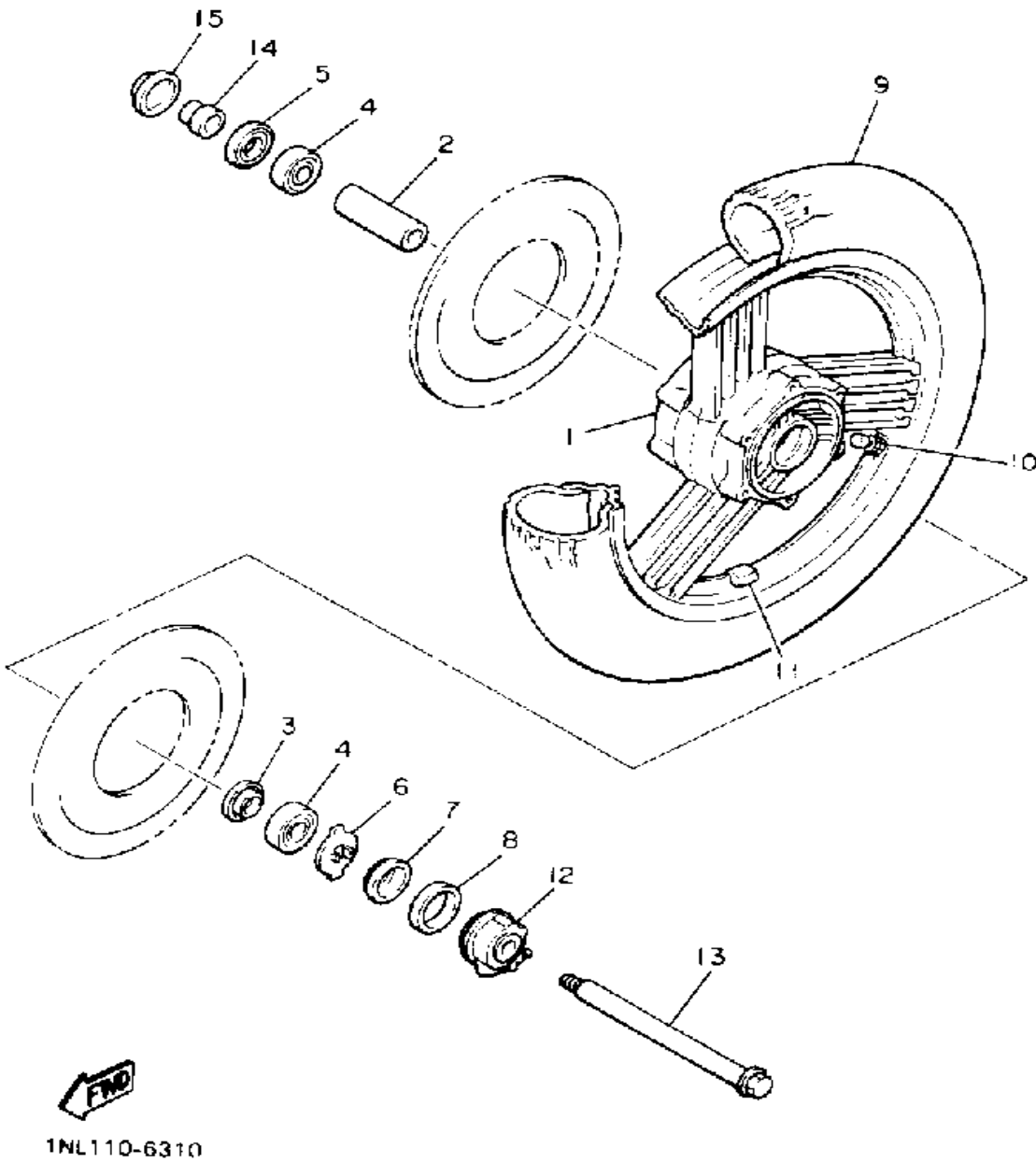


Ref. No.	Part Number	Description	Qty	Remarks
1	3JJ-24730-00-00	DOUBLE SEAT ASS'Y	1	UR BROWN
	3JJ-24730-10-00	DOUBLE SEAT ASSEMBLY	1	UR BLACK
2	1NL-2477A-00-00	. SEAT COVER ASSEMBLY	1	UR BROWN
	1VE-2477A-00-00	. SEAT COVER ASSEMBLY	1	UR BLACK
3	95816-08016-00	BOLT, FLANGE	2	
4	26H-2471A-02-00	STAY, seat	1	
5	97013-06012-00	BOLT	4	
6	92995-06100-00	WASHER, SPRING	4	
7	26H-24747-00-00	DAMPER, seat	2	



1NL110-6300

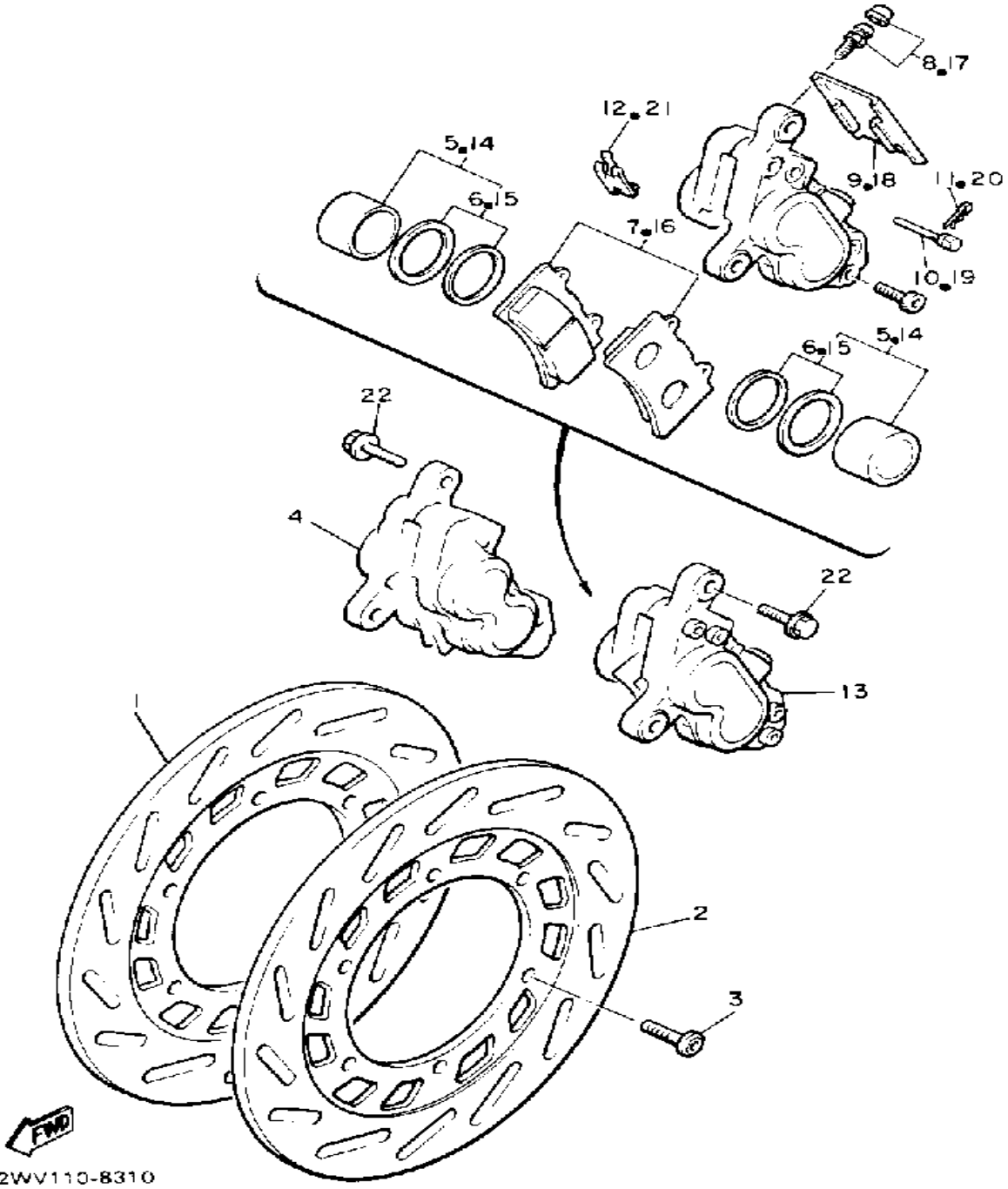
# FRONT WHEEL



Ref. No.	Part Number	Description	Qty	Remarks
1	41R-25168-00-98	WHEEL, CAST FRONT	1	UR LOW GLOSS BLK
	41R-25168-00-P0	WHEEL, CAST FRONT	1	UR LIGHT YELLOWISH GRAY ME 4
2	90560-17233-00	SPACER	1	
3	146-25315-00-00	FLANGE, SPACER	1	
4	93306-30309-00	BEARING	2	
5	93102-28022-00	OIL SEAL	1	
6	341-25149-00-00	CLUTCH, METER	1	
7	341-25846-00-00	RETAINER, CLUTCH	1	
8	93105-45017-00	OIL SEAL	1	
9	94112-187G9-00	TIRE (MCS 120/90-18 65H)	1	UR BRIDGESTONE
10	93900-00001-00	VALVE, RIM	1	UR BRIDGESTONE
	93900-00003-00	VALVE, RIM	1	UR DUNLOP
11	1A1-25398-01-00	BALANCER, WHEEL	1	UN
	1A1-25399-00-00	BALANCER, WHEEL	1	UN
	2M0-25399-00-00	BALANCER, WHEEL	1	UN
12	26H-25190-00-00	GEAR UNIT ASSEMBLY	1	
13	1NL-25181-00-00	AXLE, wheel	1	
14	90387-173H2-00	COLLAR	1	
15	341-25118-00-00	COVER, hub dust	1	

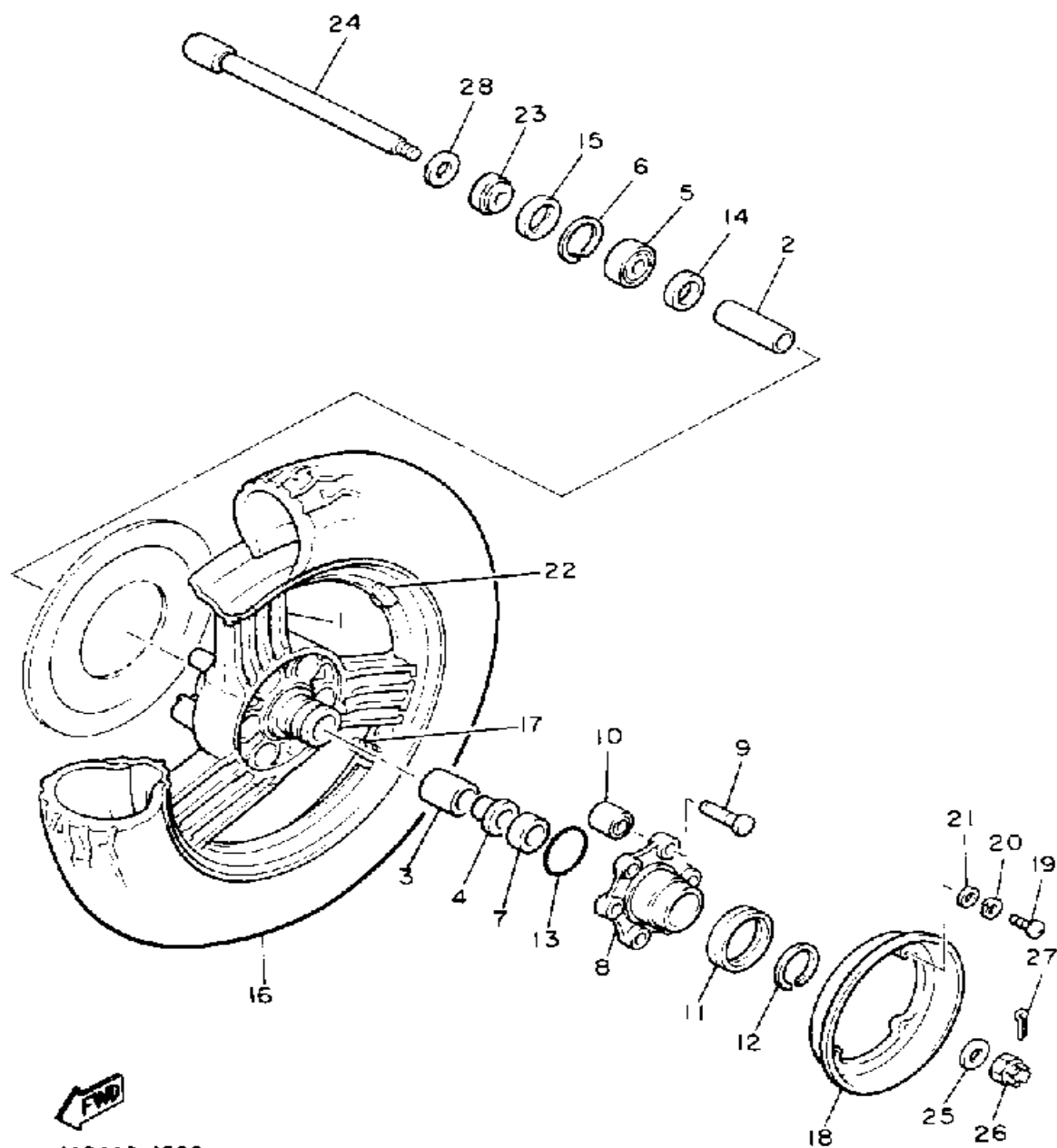
# FRONT BRAKE CALIPER

Ref. No.	Part Number	Description	Qty	Remarks
1	1NL-25831-00-00	DISC, brake (RIGHT)	1	
2	1NL-25831-10-00	DISC, brake (LEFT)	1	
3	90109-08718-00	BOLT	12	
4	1NL-25810-01-00	CALIPER ASS'Y (RIGHT)	1	
5	1KT-W0057-00-00	. PISTON ASSEMBLY, CALIPER	2	
6	1KT-W0047-00-00	.. CALIPER SEAL KIT	1	
7	1NL-W0045-01-00	. BRAKE PAD KIT	1	
8	1J3-W0048-00-00	. BLEED SCREW KIT	1	
9	1NL-25836-00-00	. COVER, DUST	1	
10	3HE-25924-00-00	. PIN, PAD	2	
11	3GM-25925-00-00	. CLIP	2	
12	1NL-25919-00-00	. SUPPORT, PAD	1	
13	1NL-25810-11-00	CALIPER ASS'Y (LEFT)	1	
14	1NL-W0057-00-00	. PISTON ASSEMBLY, CALIPER	2	
15	1NL-W0047-00-00	.. CALIPER SEAL KIT	1	
16	1NL-W0045-01-00	. BRAKE PAD KIT	1	
17	1J3-W0048-00-00	. BLEED SCREW KIT	1	
18	1NL-25836-00-00	. COVER, DUST	1	
19	3HE-25924-00-00	. PIN, PAD	2	
20	3GM-25925-00-00	. CLIP	2	
21	1NL-25919-00-00	. SUPPORT, PAD	1	
22	90105-10638-00	BOLT, WASHER BASED	4	



2WV110-8310

# REAR WHEEL

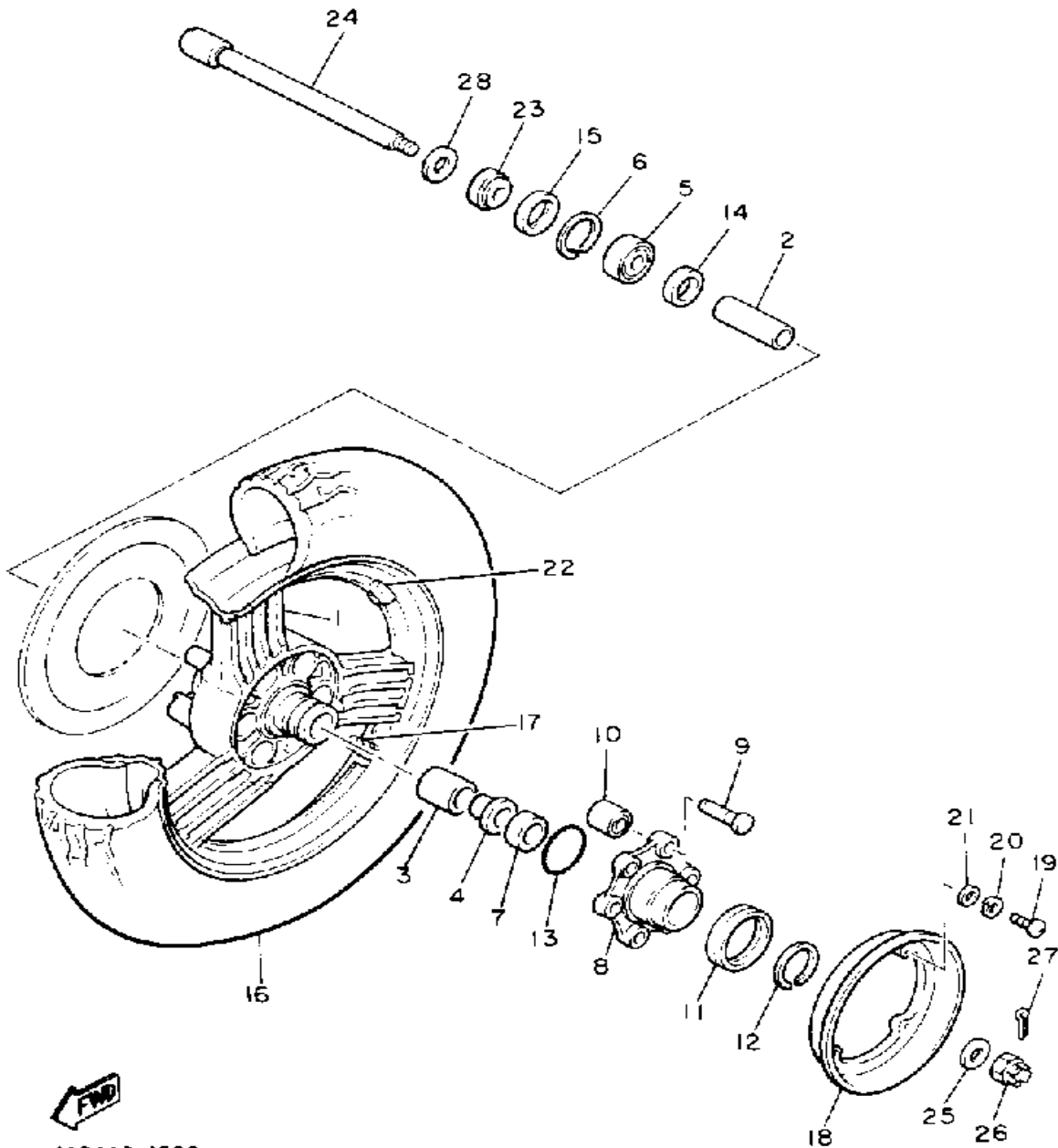


41R110-4320

Ref. No.	Part Number	Description	Qty	Remarks
1	26H-25338-20-98	WHEEL, CAST REAR .....	1	UR LOW GLOSS BLACK
	26H-25338-20-P0	WHEEL, CAST REAR .....	1	UR LIGHT YELLOWISH GRAY ME 4
2	90560-20235-00	SPACER .....	1	
3	93317-32635-00	BEARING, CYLINDRICAL ....	1	
4	90387-203H7-00	COLLAR .....	1	
5	93306-30417-00	BEARING (B6304ZZ) .....	1	
6	99009-52500-00	CIRCLIP .....	1	
7	93102-25064-00	OIL SEAL .....	1	
8	26H-25366-00-00	CLUTCH, HUB .....	1	
9	90249-12167-00	PIN .....	6	
10	26H-25364-00-00	DAMPER .....	6	
11	1J7-25319-01-00	SEAL, HUB DUST .....	1	
12	93440-45022-00	CIRCLIP .....	1	
13	93210-68347-00	O-RING .....	1	
14	2H7-25315-00-00	FLANGE, SPACER .....	1	
15	93106-40027-00	OIL SEAL .....	1	
16	94114-167G8-00	TIRE (MCS 140/90-16 71H) ....	1	UR BRIDGESTONE BRIDGESTONE
17	93900-00016-00	VALVE, RIM .....	1	
18	1FK-25327-00-00	COVER, PLATE .....	1	
19	98501-05018-00	SCREW, PAN HEAD .....	4	
20	92990-05100-00	WASHER, SPRING .....	4	
21	92901-05600-00	WASHER, PLATE .....	4	
22	1A1-25398-01-00	BALANCER, WHEEL .....	1	UN
	1A1-25399-00-00	BALANCER, WHEEL .....	1	UN
	2M0-25399-00-00	BALANCER, WHEEL .....	1	UN
23	90387-200J2-00	COLLAR .....	1	
24	26H-25381-00-00	AXLE, wheel .....	1	

CONTINUED ON NEXT FRAME ►

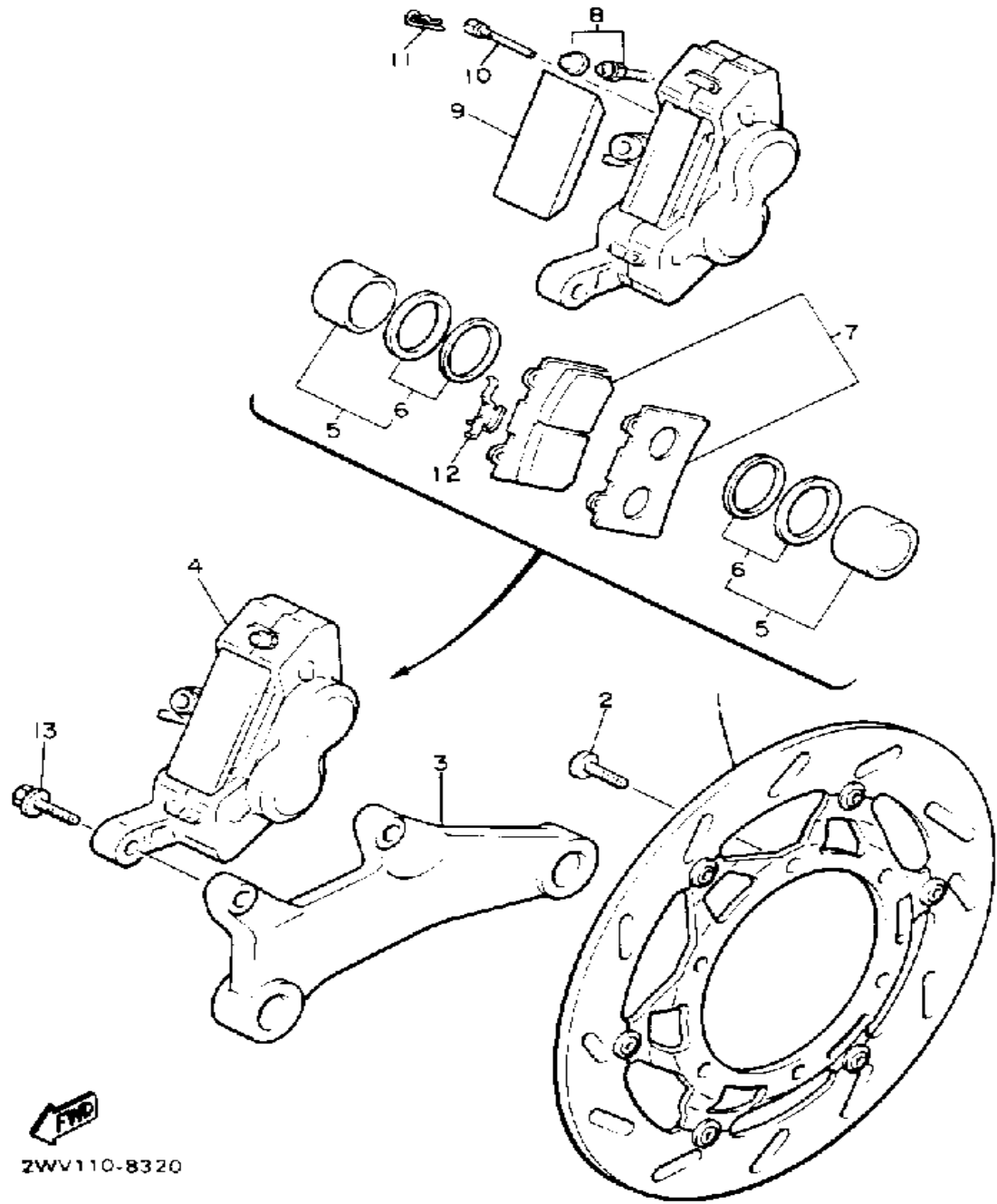
# REAR WHEEL



Ref. No.	Part Number	Description	Qty	Remarks
25	90201-18620-00	WASHER, PLAIN	1	
26	90171-18043-00	NUT, CASTLE	1	
27	91401-40040-00	PIN, COTTER	1	
28	92901-20600-00	WASHER, WAVE	1	

 41R110-4320

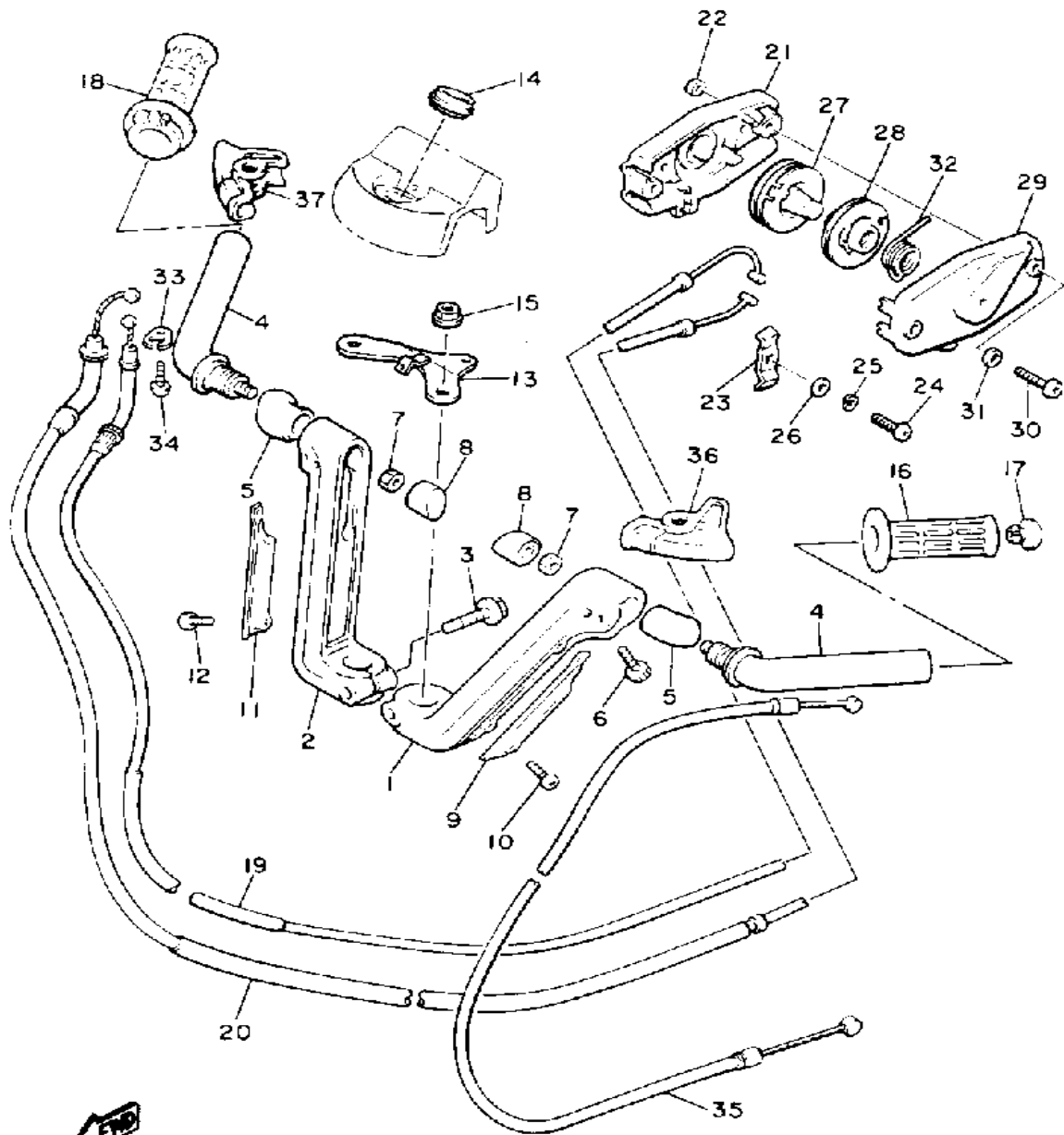
# REAR BRAKE CALIPER



Ref. No.	Part Number	Description	Qty	Remarks
1	1NL-25830-52-00	DISK BRAKE ASS'Y (1NL-25830-51-00)	1	
2	90109-08718-00	BOLT	6	
3	1NL-25819-00-00	BRACKET, caliper	1	
4	1NL-25810-52-00	CALIPER ASS'Y	1	
5	1KT-W0057-00-00	. PISTON ASSEMBLY, CALIPER	2	
6	1KT-W0047-00-00	.. CALIPER SEAL KIT	1	
7	1NL-W0045-01-00	. BRAKE PAD KIT	1	
8	1J3-W0048-00-00	. BLEED SCREW KIT	1	
9	1KT-25836-00-00	. COVER, DUST	1	
10	3HE-25924-00-00	. PIN, PAD	2	
11	3GM-25925-00-00	. CLIP	2	
12	1KT-25919-00-00	. SUPPORT, pad	1	
13	90105-10638-00	BOLT, WASHER BASED	2	

ZWV110-8320

# HANDLEBAR - CABLE

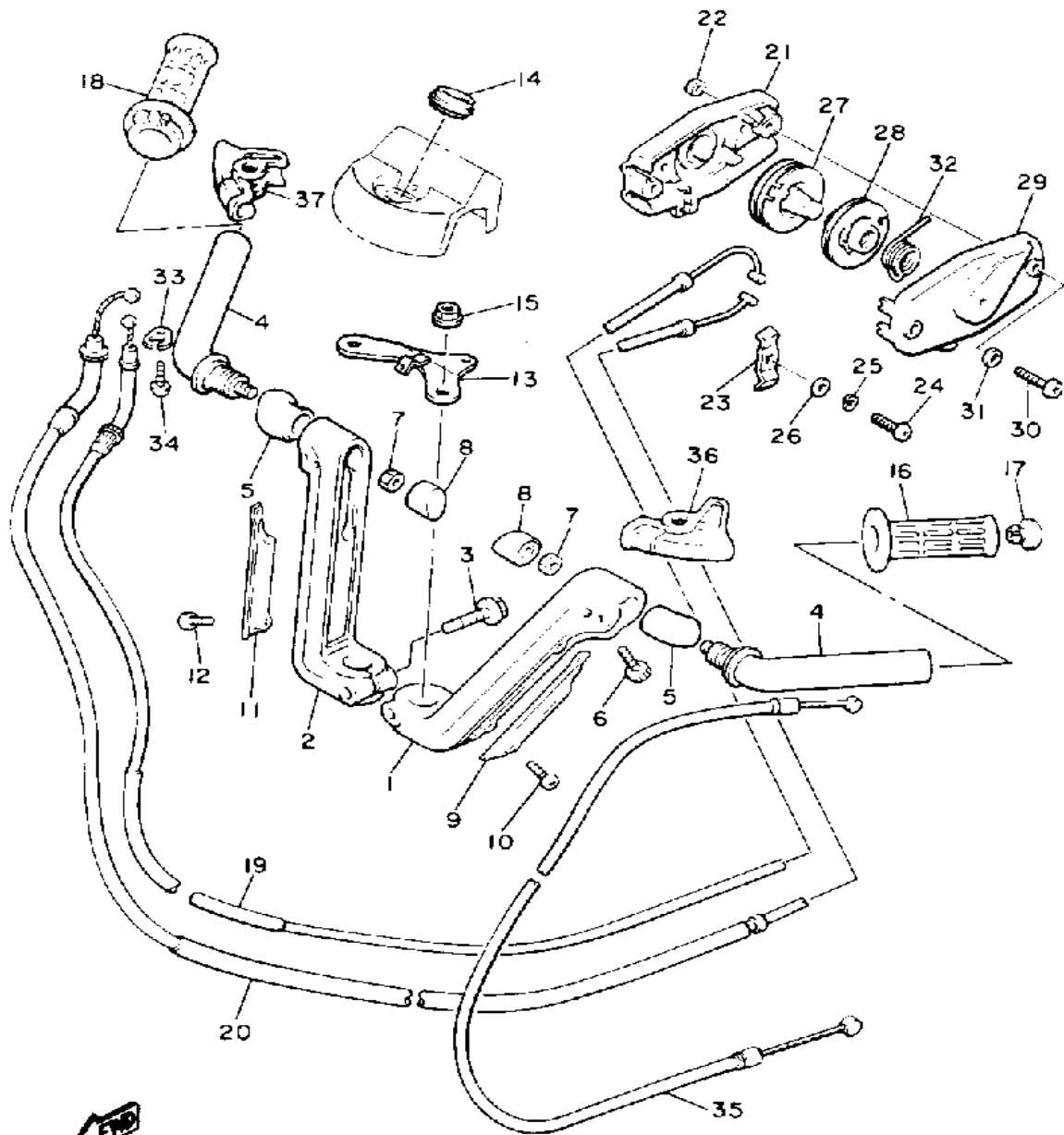


Ref. No.	Part Number	Description	Qty	Remarks
1	26H-26121-01-00	HANDLEBAR (LEFT)	1	
2	26H-26122-01-00	HANDLEBAR (RIGHT)	1	
3	95811-08045-00	BOLT, FLANGE (JN5)	2	
4	26H-W2613-00-00	HANDLEBAR	2	
5	26H-26147-00-00	BOOT, handlebar	2	
6	91311-06030-00	BOLT, SOCKET HEAD	4	
7	90179-10370-00	NUT, SPEC'L SHAPE	2	
8	26H-26133-00-00	CAP	2	
9	26H-26144-00-00	COVER, handlebar lower 1	1	
10	98506-05010-00	SCREW, PAN HEAD	2	
11	26H-26146-00-00	COVER, handlebar lower 2	1	
12	98506-05010-00	SCREW, PAN HEAD	2	
13	1NL-26226-02-00	BRACKET, handle cover 1	1	
14	1NL-26218-00-00	MOLD, cover	1	
15	90170-22094-00	NUT	2	
16	26H-26241-00-00	GRIP (L.H)	1	
17	26H-2628J-00-00	CAP, grip	1	
18	26H-26240-00-00	GRIP ASS'Y	1	
19	41V-26311-00-00	CABLE, throttle 1	1	
20	41V-26312-00-00	CABLE, throttle 2	1	
21	41V-2629A-00-00	HOUSING COMP.	1	
22	95601-05100-00	NUT, U	4	
23	41V-2627E-00-00	CLAMP, WIRE	2	
24	98580-05016-00	SCREW, PAN HEAD	2	
25	92990-05100-00	WASHER, SPRING	2	
26	92901-05600-00	WASHER, PLATE	2	
27	41V-26273-00-00	ROTOR	1	
28	41V-2627A-00-00	ROTOR 2	1	
29	41V-2629G-00-00	HOUSING 2	1	

2WV110-8340

CONTINUED ON NEXT FRAME ►

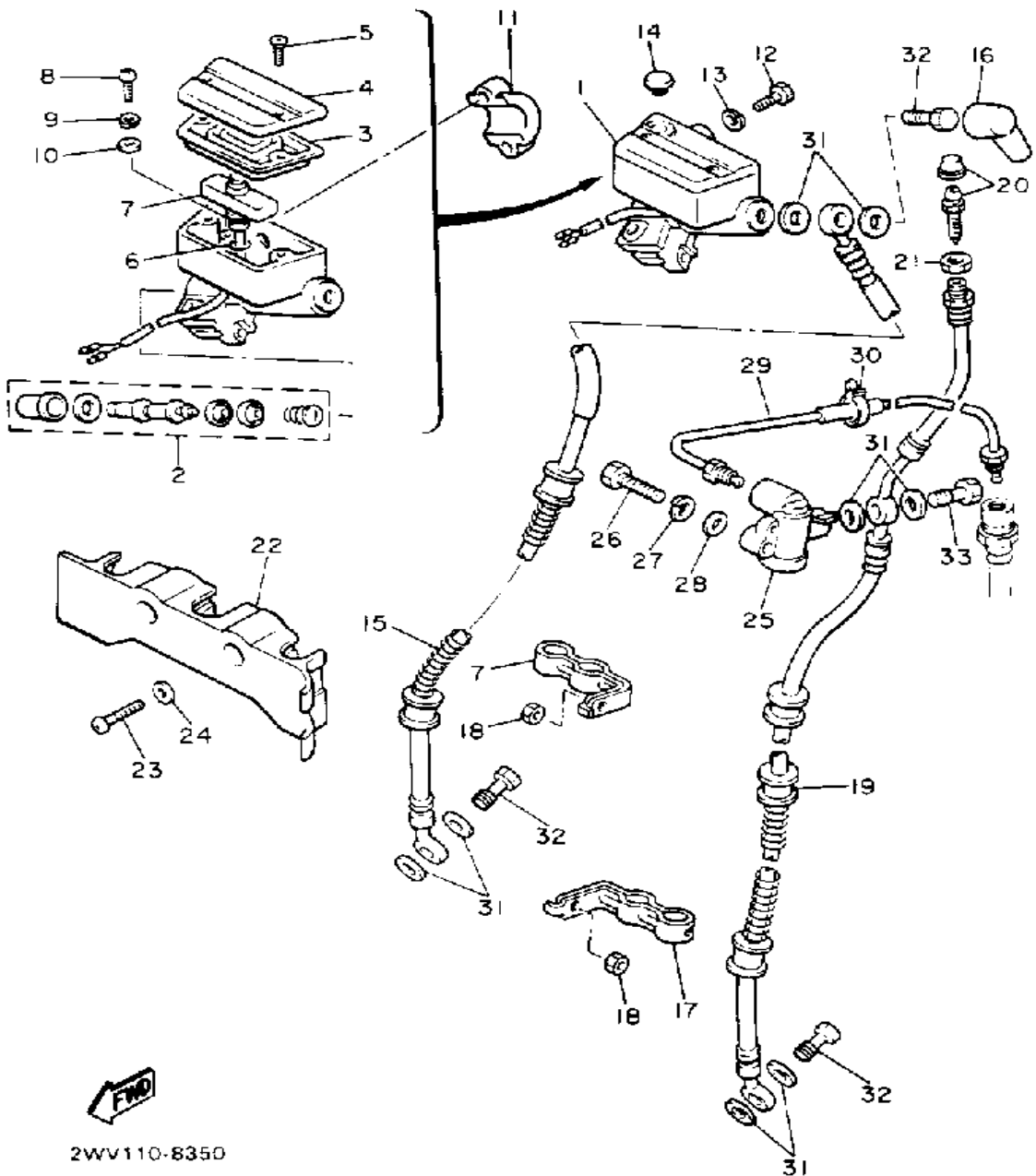
# HANDLEBAR - CABLE



Ref. No.	Part Number	Description	Qty	Remarks
30	98503-05025-00	SCREW, PAN HEAD (98501-05025)	2	
31	92901-05600-00	WASHER, PLATE	2	
32	41V-2629L-00-00	SPRING, TORSION	1	
33	5H0-26393-00-00	HOLDER	1	
34	98506-05008-00	SCREW, PAN HEAD	1	
35	26H-26331-00-00	CABLE, starter 1	1	
36	26H-26372-01-00	COVER, handle lever 1	1	
37	26H-2637A-00-00	COVER, handle lever 2	1	

2WV110-8340

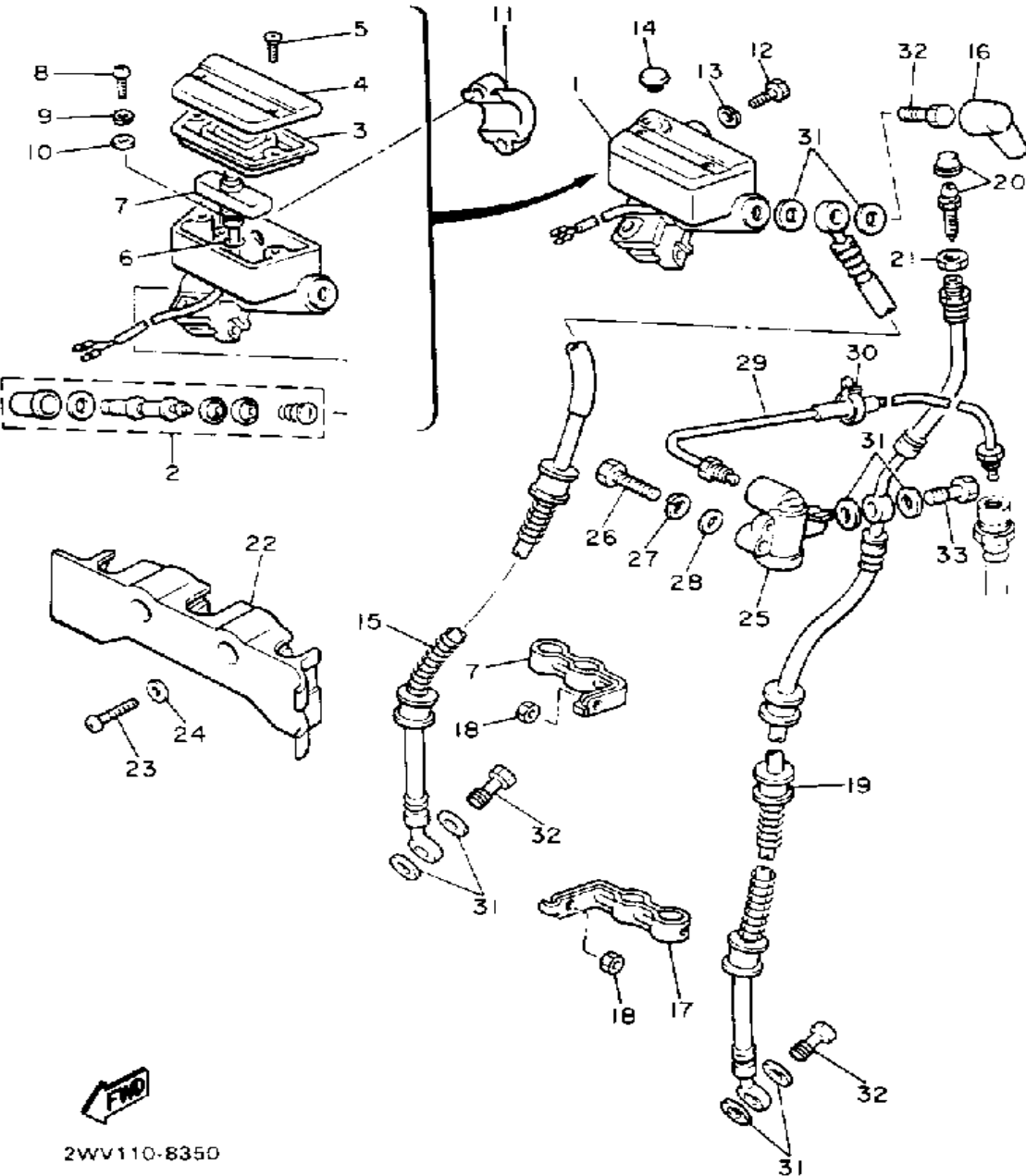
# FRONT MASTER CYLINDER 1



Ref. No.	Part Number	Description	Qty	Remarks
1	1NL-25850-01-00	MASTER CYLINDER ASS'Y	1	
2	4H7-W0041-50-00	. CYLINDER KIT, MASTER	1	
3	26H-25854-00-00	. DIAPHRAGM, reservoir	1	
4	26H-25852-01-00	. CAP, reservoir	1	
5	98706-04012-00	. SCREW, FLAT HEAD	2	
6	93210-08493-00	. O-RING	1	
7	26H-85702-00-00	. LEAD SWITCH ASS'Y	1	
8	98511-04012-00	. SCREW, PAN HEAD	1	
9	92901-04100-00	. WASHER, SPRING	1	
10	92901-04600-00	. WASHER, PLATE	1	
11	1J3-25867-00-00	BRACKET, MASTER CYLINDER (341-25867-00)	1	
12	97016-06025-00	BOLT	2	
13	92906-06100-00	WASHER, SPRING	2	
14	90338-09012-00	PLUG	1	
15	2WR-25872-01-00	HOSE, brake 1 (2WR-25872-00)	1	
16	306-25862-00-00	BOOT, MASTER CYLINDER	1	
17	2WR-25875-00-00	HOLDER, brake hose 1	2	
18	95306-06800-00	NUT	2	
19	2WR-25873-01-00	HOSE, BRAKE 2	1	
20	1NL-W0048-00-00	BLEED SCREW KIT	1	
21	95306-12600-00	NUT	1	
22	26H-25886-01-00	HOLDER, brake hose	1	
23	98506-06025-00	SCREW, PAN HEAD	2	
24	92906-06600-00	WASHER	2	
25	1NL-25940-00-00	METERING VALVE ASS'Y	1	
26	97026-06030-00	BOLT	1	
27	92906-06100-00	WASHER, SPRING	1	
28	92906-06600-00	WASHER	1	

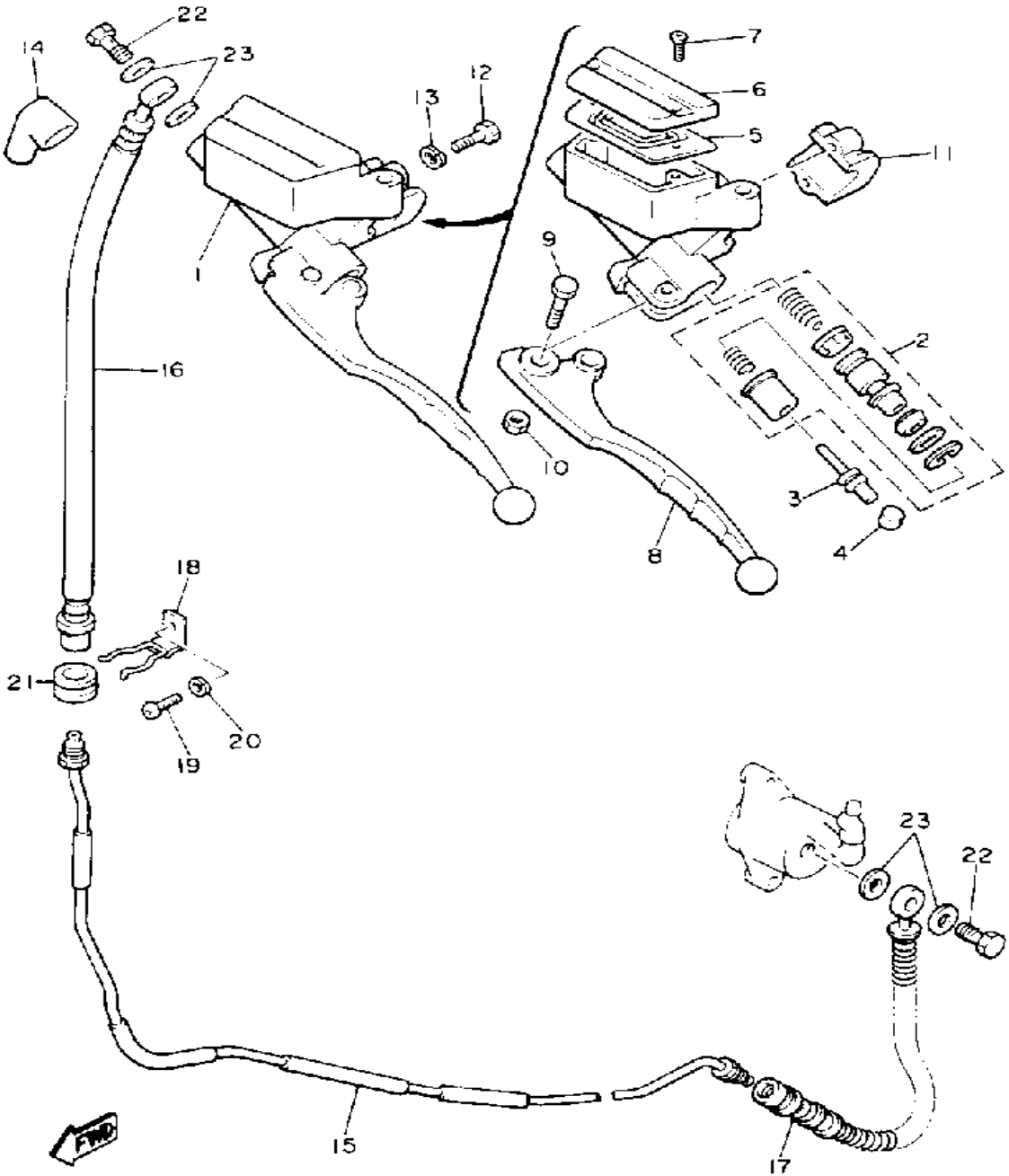
CONTINUED ON NEXT FRAME ►

# FRONT MASTER CYLINDER 1



Ref. No.	Part Number	Description	Qty	Remarks
29	26H-25871-00-00	PIPE, brake	1	
30	437-83936-11-00	BAND, SWITCH CORD	2	
31	90201-10118-00	WASHER, PLATE	8	
32	90401-10096-00	BOLT, UNION	3	
33	90401-10114-00	BOLT, union	1	

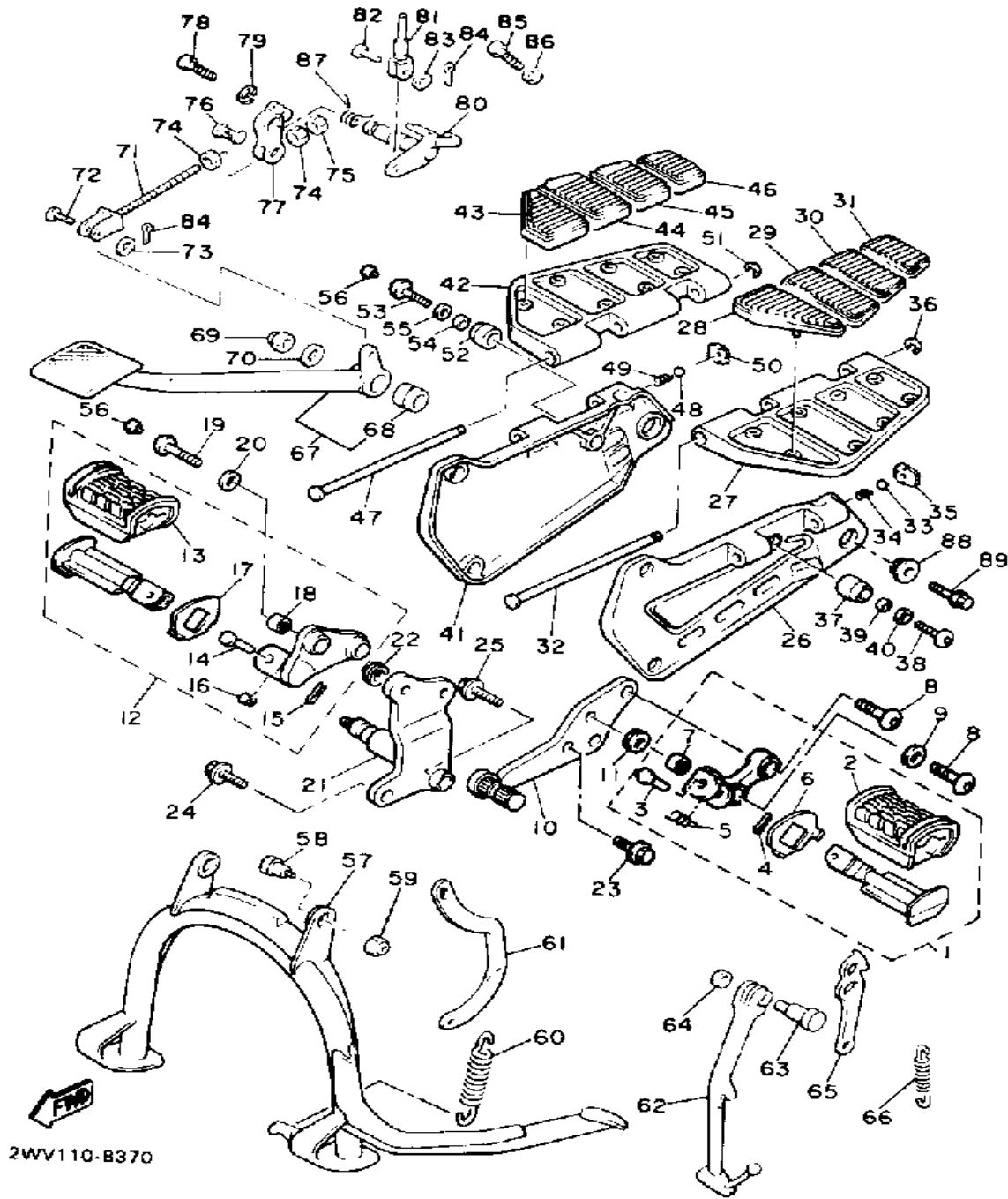
# FRONT MASTER CYLINDER 2



Ref. No.	Part Number	Description	Qty	Remarks
1	26H-26450-20-00	MASTER CYLINDER ASS'Y (CLUTCH) (26H-26450-01)	1	
2	2KW-W0099-00-00	. CYLINDER KIT, MASTER (CLUTCH)	1	
3	26H-26464-00-00	. ROD, PUSH	1	
4	3GM-26455-00-00	. BUSH	1	
5	26H-25854-00-00	. DIAPHRAGM, reservoir	1	
6	26H-25852-01-00	. CAP, reservoir	1	
7	98706-04012-00	. SCREW, FLAT HEAD	2	
8	26H-83912-10-00	. LEVER 1 (26H-83912-00)	1	
9	90109-06577-00	. BOLT	1	
10	95616-06100-00	. NUT, U	1	
11	26H-26467-00-00	. HOLDER	1	
12	97016-06025-00	BOLT	2	
13	92906-06100-00	WASHER, SPRING	2	
14	306-25862-00-00	BOOT, MASTER CYLINDER	1	
15	26H-26471-02-00	PIPE	1	
16	26H-26472-00-00	HOSE, clutch 1	1	
17	26H-26473-00-00	HOSE, clutch 2	1	
18	(26H-26475-01-00)	HOLDER	1	
19	98516-06012-00	SCREW, PAN HEAD	1	
20	92906-06100-00	WASHER, SPRING	1	
21	341-25881-00-00	PROTECTOR, BRAKE HOSE	1	
22	90401-10096-00	BOLT, UNION	2	
23	90201-10118-00	WASHER, PLATE	4	

3JJ110-9370

# STAND - FOOTREST

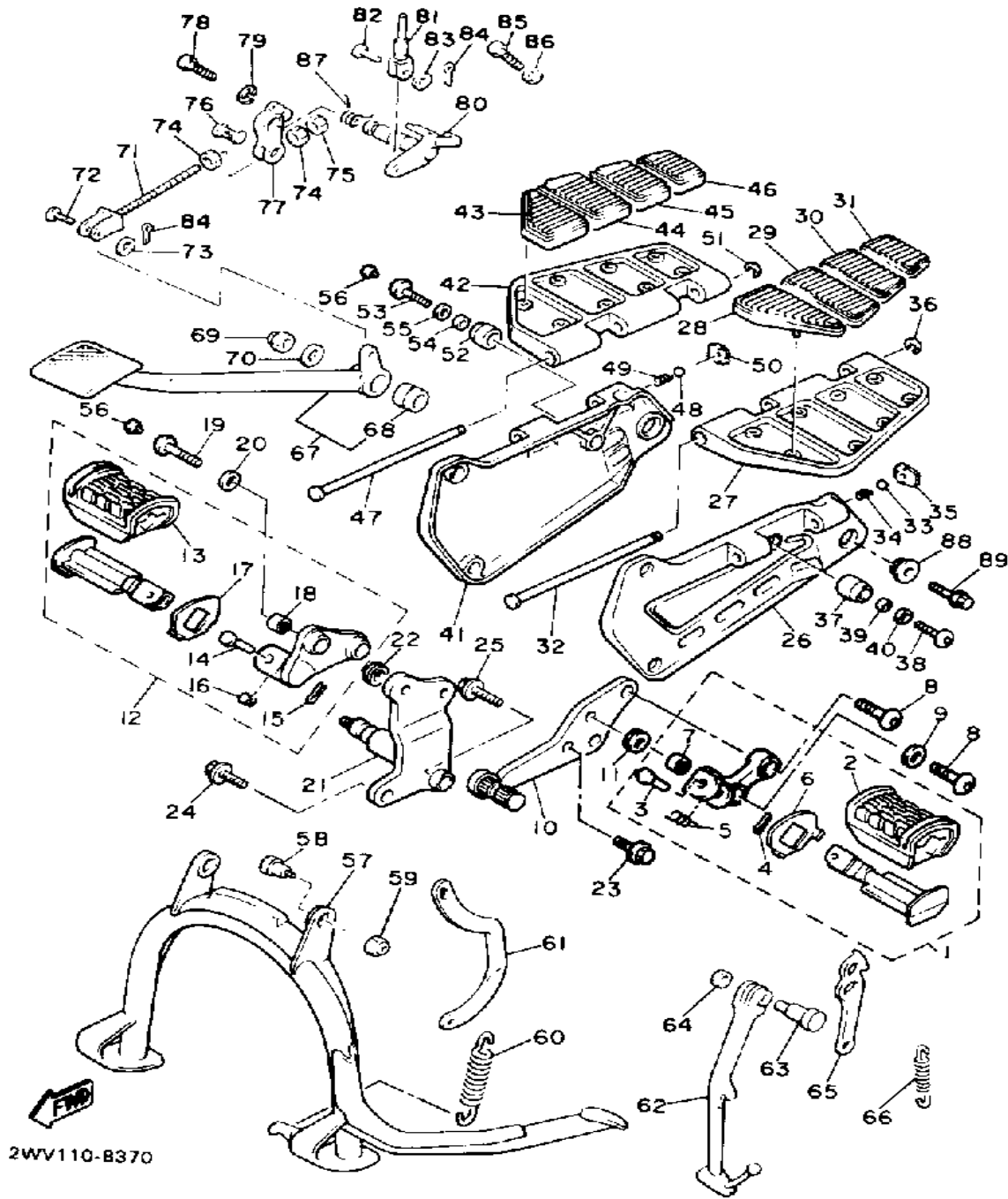


2WV110-B370

Ref. No.	Part Number	Description	Qty	Remarks
1	1NL-27410-01-93	FRONT FOOTREST ASS'Y (LEFT)	1	CHROME- PLATED
2	26H-27413-02-00	. COVER, footrest	1	
3	91701-08038-00	. PIN, CLEVIS	1	
4	91401-25020-00	. PIN, COTTER	1	
5	90508-20023-00	. SPRING, TORSION	1	
6	26H-27417-00-00	. WASHER, footrest	1	
7	1NL-27424-00-00	. DAMPER, FOOTREST 2	2	
8	90110-08127-00	BOLT, hexagon socket head	2	
9	1AA-27415-00-00	PLATE, footrest		
10	1NL-2741L-01-00	BRACKET 4 (1NL-2741L-00)	1	
11	90202-19174-00	WASHER, plate	2	
12	1NL-27420-01-93	FRONT FOOTREST ASS'Y (RIGHT)	1	CHROME- PLATED
13	26H-27413-02-00	. COVER, footrest	1	
14	91701-08038-00	. PIN, CLEVIS	1	
15	91401-25020-00	. PIN, COTTER	1	
16	90508-20023-00	. SPRING, TORSION	1	
17	26H-27417-00-00	. WASHER, footrest	1	
18	1NL-27424-00-00	. DAMPER, FOOTREST 2	2	
19	90110-08127-00	BOLT, hexagon socket head	2	
20	1AA-27415-00-00	PLATE, footrest	2	
21	1NL-2742L-01-00	BRACKET 5	1	
22	90202-19174-00	WASHER, plate	2	
23	95023-10030-00	BOLT, flange	2	
24	95023-10020-00	BOLT, flange	1	
25	95023-10030-00	BOLT, flange	1	
26	1NL-27442-00-00	BRACKET 2	1	
27	1NL-27451-00-00	FOOTREST	1	

CONTINUED ON NEXT FRAME ►

# STAND - FOOTREST

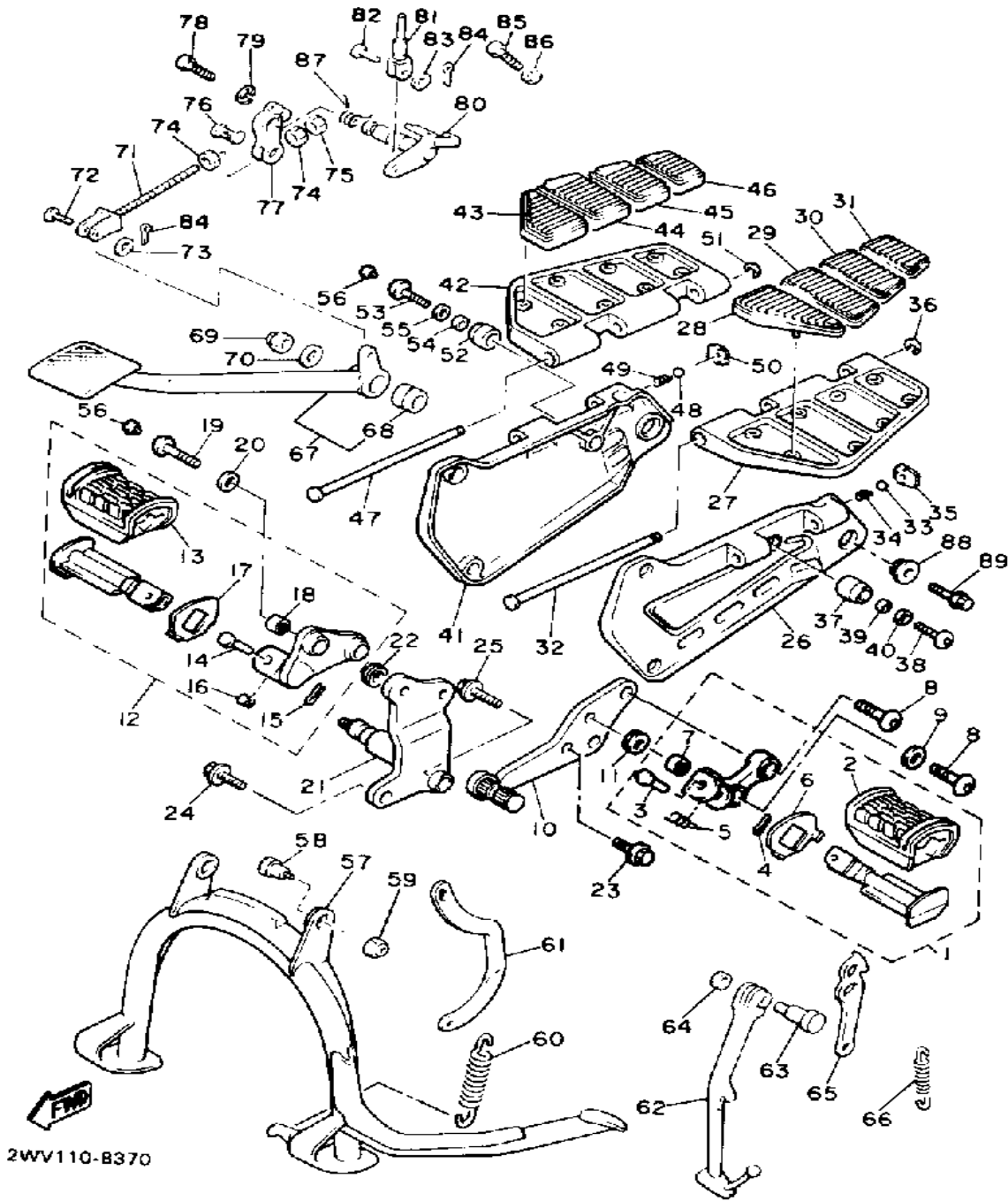


2WV110-B370

Ref. No.	Part Number	Description	Qty	Remarks
28	1NL-27413-00-00	COVER, footrest	1	
29	1NL-27433-00-00	COVER, rear footrest	1	
30	1NL-27453-00-00	COVER 1	1	
31	1NL-27486-00-00	COVER 1	1	
32	1NL-27427-00-00	SHAFT	1	
33	93501-04011-00	BALL	1	
34	90501-13720-00	SPRING, COMPRESSION	1	
35	1NL-27437-00-00	WASHER, special	1	
36	99009-06600-00	CIRCLIP	1	
37	1NL-27414-00-00	DAMPER, footrest	3	
38	90110-08127-00	BOLT, hexagon socket head	3	
39	90387-086N4-00	COLLAR	3	
40	90201-087F0-00	WASHER, PLATE	3	
41	1NL-27443-00-00	BRACKET 3	1	
42	1NL-27461-00-00	FOOTREST	1	
43	1NL-27423-00-00	COVER, footrest	1	
44	1NL-27444-00-00	COVER, rear footrest	1	
45	1NL-27463-00-00	COVER 2	1	
46	1NL-27487-00-00	COVER 2	1	
47	1NL-27427-00-00	SHAFT	1	
48	93501-04011-00	BALL	1	
49	90501-13720-00	SPRING, COMPRESSION	1	
50	1NL-27437-00-00	WASHER, special	1	
51	99009-06600-00	CIRCLIP	1	
52	1NL-27414-00-00	DAMPER, footrest	3	
53	90110-08127-00	BOLT, hexagon socket head	3	
54	90387-086N4-00	COLLAR	3	
55	90201-087F0-00	WASHER, PLATE	3	
56	90338-08163-00	PLUG	10	

CONTINUED ON NEXT FRAME ►

# STAND - FOOTREST

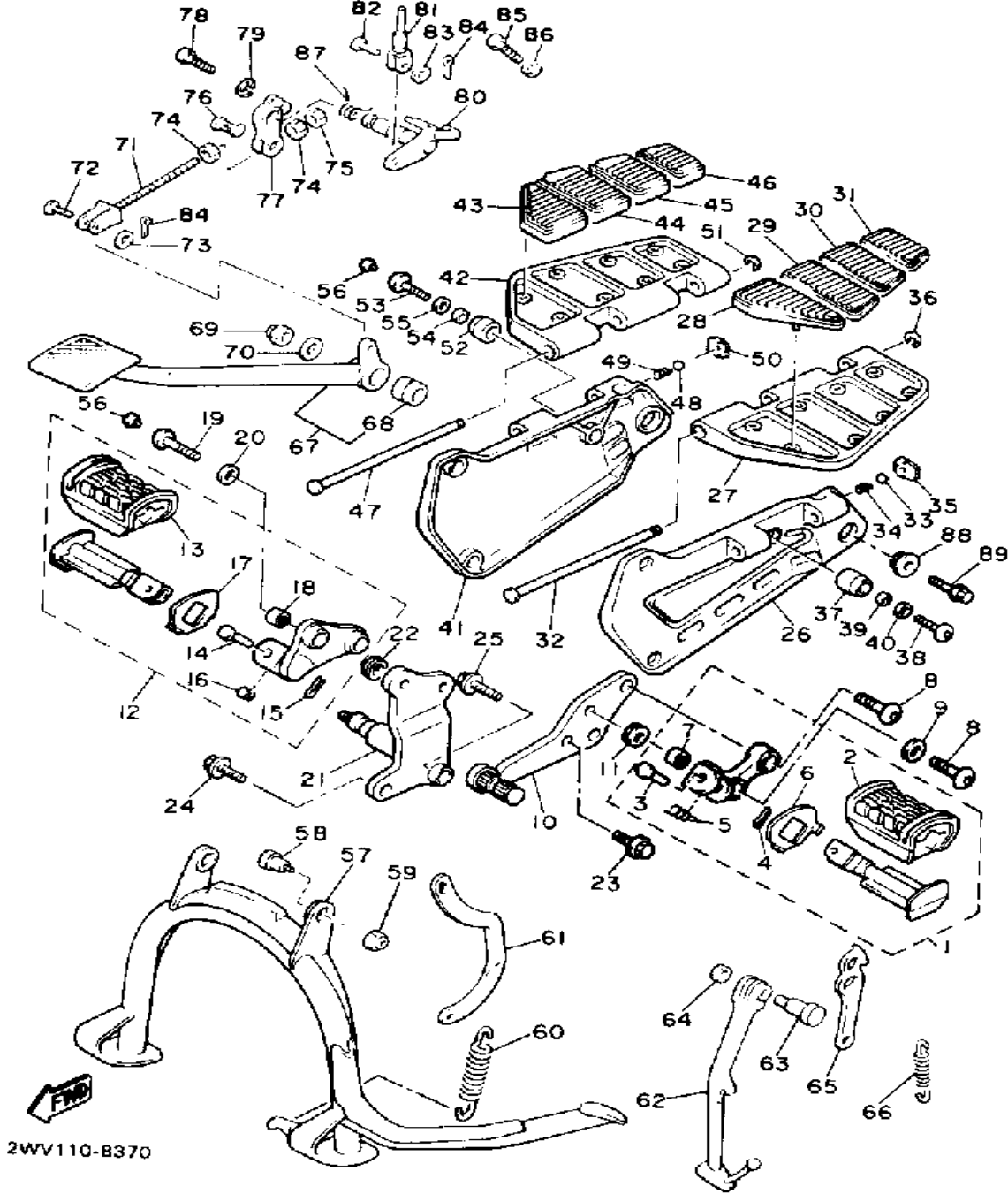


2WV110-B370

Ref. No.	Part Number	Description	Qty	Remarks
57	26H-27111-01-R4	STAND, main	1	BLACK
58	90109-10691-00	BOLT	2	
59	90185-10091-00	NUT, SELF-LOCKING	2	
60	90506-32314-00	SPRING, tension	1	
61	26H-27115-00-00	LINK, main stand	1	
62	26H-27311-01-R4	STAND, side	1	BLACK
63	90109-10474-00	BOLT	1	
64	90185-10037-00	NUT, SELF-LOCKING	1	
65	26H-27315-00-00	LINK, side stand	1	
66	90506-29266-00	SPRING, TENSION	1	
67	26H-27200-00-39	PEDAL, brake	1	CLEAR NO BUFFING
68	90387-06701-00	. COLLAR	1	
69	90176-10045-00	NUT, crown	1	
70	90201-100A1-00	WASHER, PLATE	1	
71	26H-27247-01-00	ROD 1	1	
72	90240-06006-00	PIN, CLEVIS	1	
73	92990-06200-00	WASHER	1	
74	90179-08437-00	NUT	2	
75	95303-08700-00	NUT	1	
76	90249-08172-00	PIN	1	
77	26H-27243-00-00	BOSS, brake pedal	1	
78	90101-06291-00	BOLT	1	
79	92995-06100-00	WASHER, SPRING	1	
80	26H-27212-00-00	SHAFT, brake pedal	1	
81	26H-27231-00-00	ROD, brake	1	
82	90240-06006-00	PIN, CLEVIS	1	
83	92990-06200-00	WASHER	1	
84	91490-20020-00	PIN, COTTER	2	
85	97011-06020-00	BOLT	1	

CONTINUED ON NEXT FRAME ➤

# STAND - FOOTREST

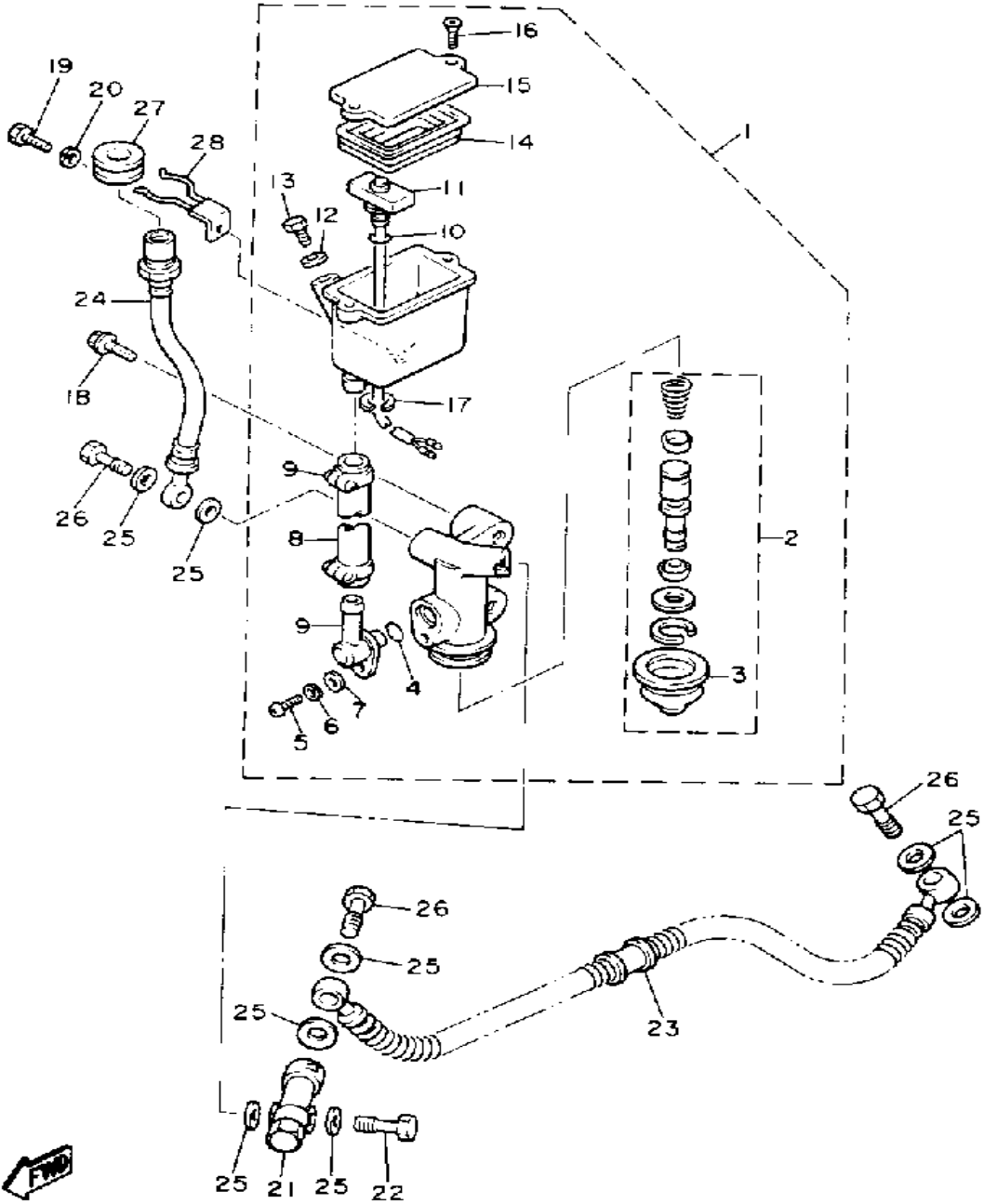


2WV110-B370

Ref. No.	Part Number	Description	Qty	Remarks
86	90170-06184-00	NUT, HEXAGON .....	1	
87	90508-32590-00	SPRING, torsion .....	1	
88	15R-27415-00-00	PLATE, footrest .....	2	
89	95023-10050-00	BOLT, flange .....	2	

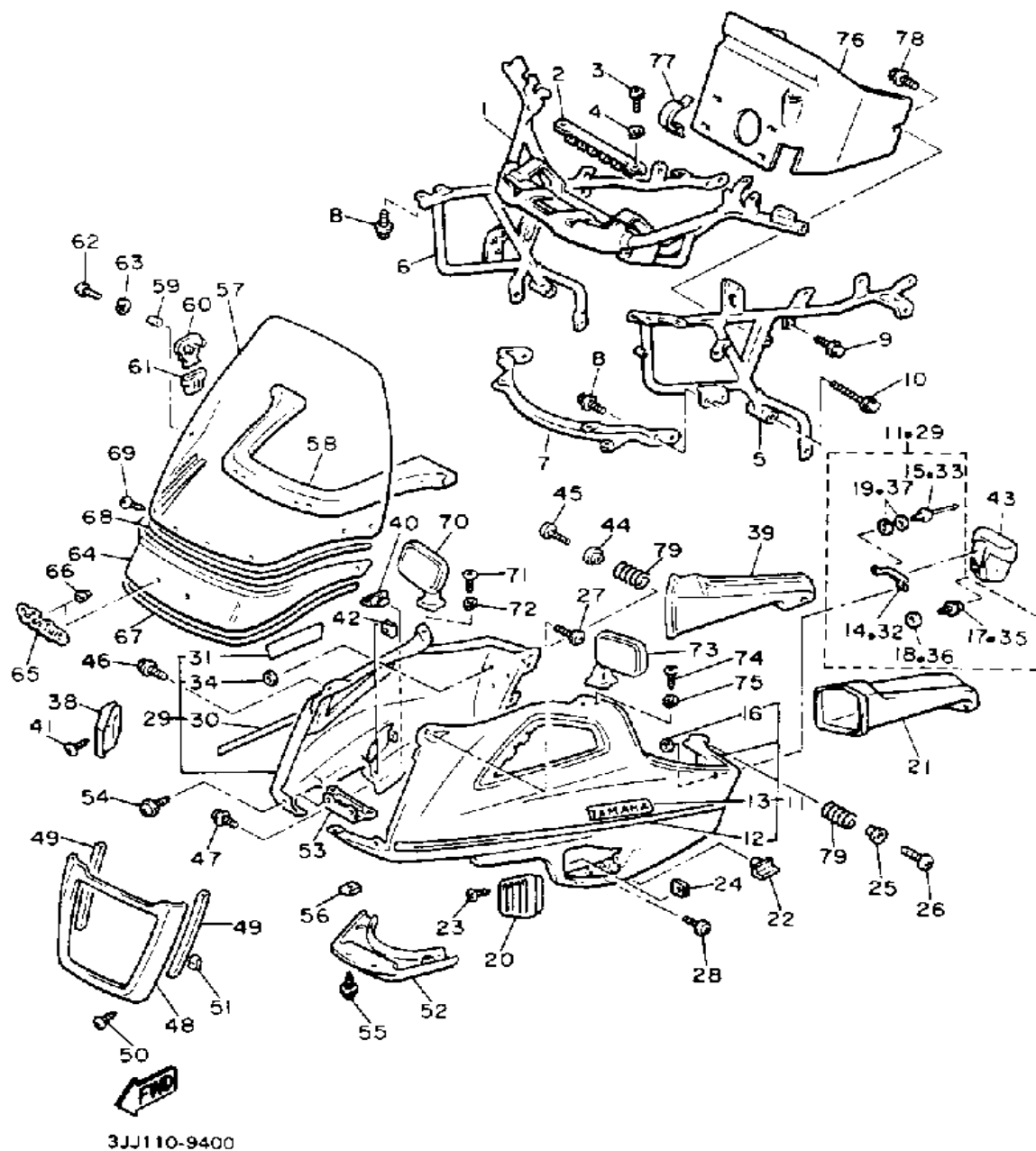
# REAR MASTER CYLINDER

Ref. No.	Part Number	Description	Qty	Remarks
1	1NL-25850-51-00	MASTER CYLINDER ASS'Y	1	
2	4W1-W0041-00-00	. CYLINDER KIT, master	1	
3	1J3-25862-51-00	. . BOOT, master cylinder	1	
4	2M0-25864-50-00	. O-RING	1	
5	98511-04012-00	. SCREW, PAN HEAD	1	
6	92901-04100-00	. WASHER, SPRING	1	
7	92901-04600-00	. WASHER, PLATE	1	
8	26H-25895-50-00	. HOSE, reservoir	1	
9	90460-16237-00	. CLAMP, hose	2	
10	93210-08493-00	. O-RING	1	
11	5G2-85702-00-00	. LEAD SWITCH ASS'Y	1	
12	90201-10610-00	. WASHER, plate	1	
13	90153-10015-00	. SCREW, hexagon	1	
14	1NL-25854-50-00	. DIAPHRAGM, reservoir	1	
15	1NL-25852-51-00	. CAP, reservoir	1	
16	98706-04012-00	. SCREW, FLAT HEAD	2	
17	99001-09600-00	. CIRCLIP	1	
18	90105-08141-00	BOLT, washer based	2	
19	97016-06020-00	BOLT	1	
20	92906-06100-00	WASHER, SPRING	1	
21	1NL-25884-00-00	VALVE, proportioning	1	
22	90401-10044-00	BOLT, UNION	1	
23	26H-25872-52-00	HOSE, brake 1 (26H-25872-51)	1	
24	26H-25874-01-00	HOSE, brake ( (26H-25874-01))	1	
25	90201-10118-00	WASHER, PLATE	8	
26	90401-10096-00	BOLT, UNION	3	
27	341-25881-00-00	PROTECTOR, BRAKE HOSE	1	
28	26H-25887-50-00	HOLDER, brake hose	1	



2WV110-8380

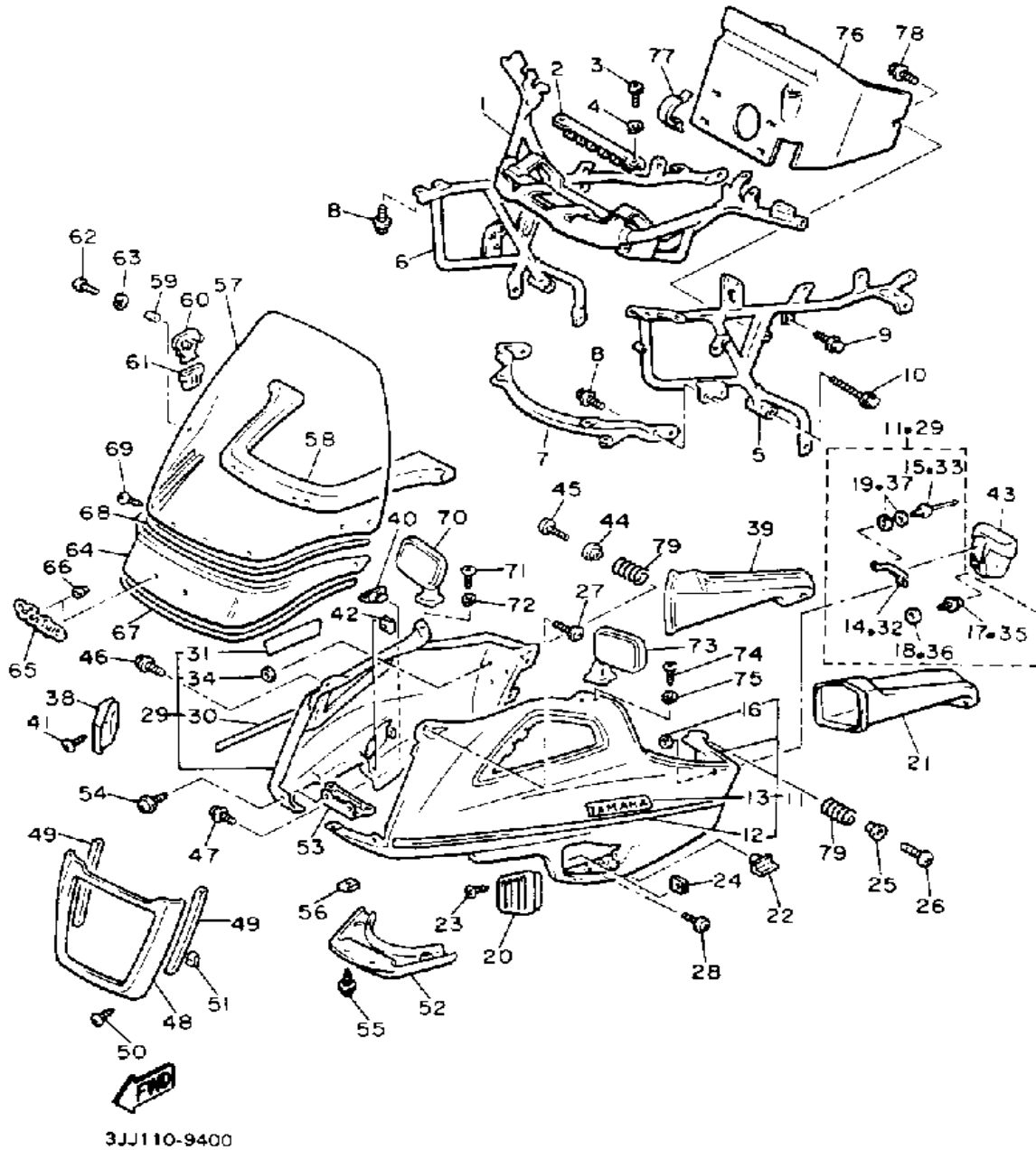
# FAIRING



Ref. No.	Part Number	Description	Qty	Remarks
1	1NL-28356-00-00	STAY 1	1	
2	41R-2134E-01-00	BRACKET, relay	1	
3	98516-06012-00	SCREW, PAN HEAD	2	
4	92906-06100-00	WASHER, SPRING	2	
5	1NL-28322-00-00	STAY, leg shield	1	
6	1NL-28332-00-00	STAY, leg shield	1	
7	26H-28359-01-00	STAY 2	1	
8	95811-06010-00	BOLT, FLANGE	8	
9	95811-08012-00	BOLT, FLANGE	4	
10	95811-08050-00	BOLT, FLANGE (95812-08050)	2	
11	2WR-Y283G-01-8Y	BODY, FRONT UPPER 1	1	UR GRACEFUL MAROON MIYABI MAR
	2WR-Y283G-21-9Y	BODY, FRONT UPPER 1	1	UR DULL BLUE COCKTAIL 1 DARK
12	2WR-28391-10-00	. GRAPHIC, COWLING 1	1	UR FOR GRM
	2WR-28391-20-00	. GRAPHIC, COWLING 1	1	UR FOR DBC1
13	26H-28328-00-00	. EMBLEM	1	
14	59G-28283-01-00	. BRACKET, pouch	1	
15	90267-32019-00	. RIVET, BLIND	2	
16	92990-03200-00	. WASHER, PLAIN	2	
17	59J-28379-00-00	. HOOK	1	
18	90201-04325-00	. WASHER, PLATE	1	
19	90201-033H3-00	. WASHER, PLATE	4	
20	26H-2837N-01-33	GRILL, air intake 1	1	YAMAHA BLK
21	26H-2838T-01-00	DUCT 3	1	
22	26H-28372-00-00	DAMPER	1	
23	90164-04006-00	SCREW, TAPPING	1	
24	90183-04027-00	NUT, SPRING	1	
25	90387-064J1-00	COLLAR	1	

CONTINUED ON NEXT FRAME ►

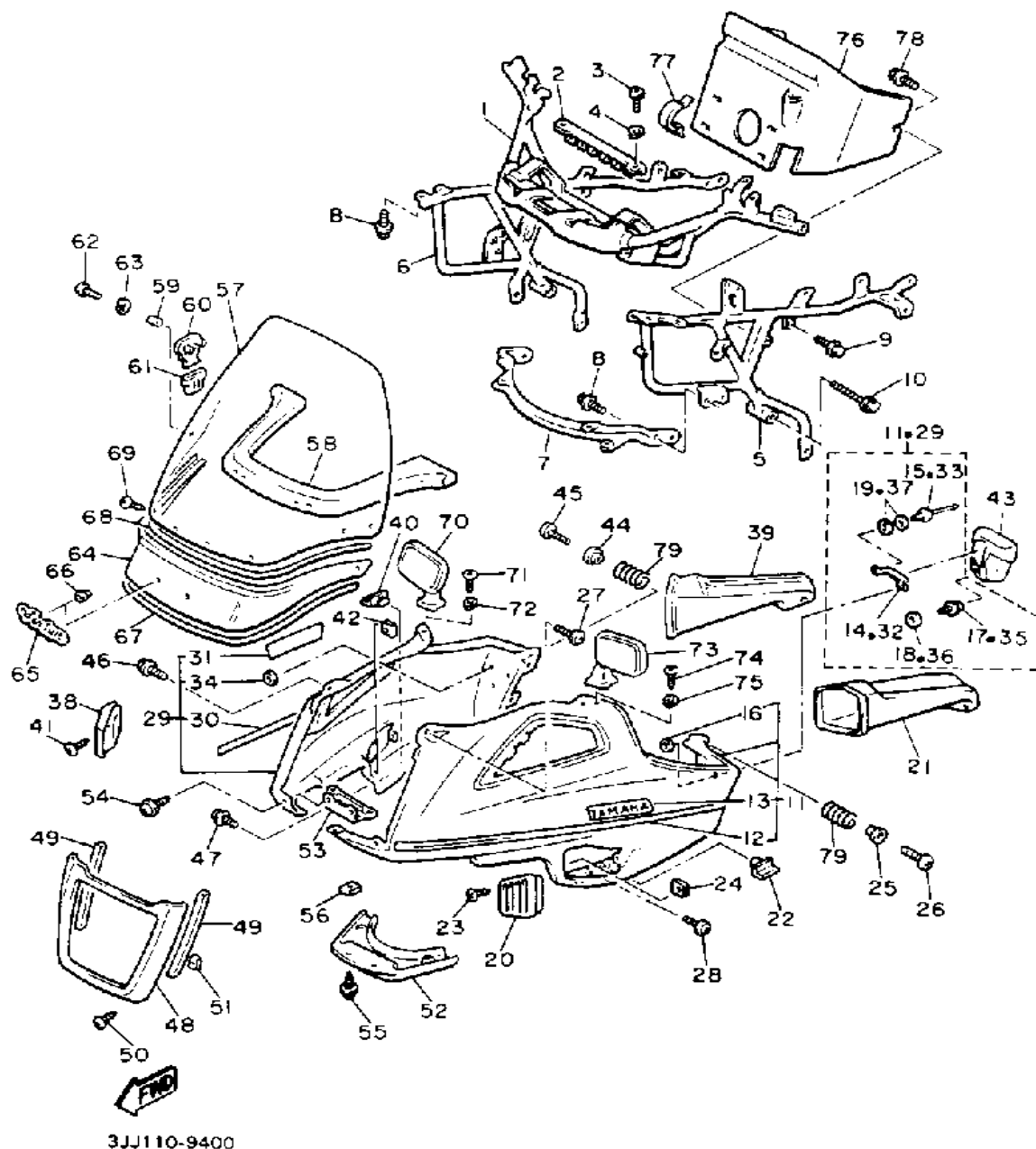
# FAIRING



Ref. No.	Part Number	Description	Qty	Remarks
26	98503-06014-00	SCREW, PAN HEAD (92502-06016)	1	
27	90159-06060-00	SCREW, WITH WASHER	2	
28	90159-05134-00	SCREW, w/washer	1	
29	2WR-Y283H-01-8Y	BODY, FRONT UPPER 2	1	UR GRACEFUL MAROON MIYABI MAR
	2WR-Y283H-21-9Y	BODY, FRONT UPPER 2	1	UR DULL BLUE COCKTAIL 1 DARK
30	2WR-28392-10-00	. GRAPHIC, COWLING 2	1	UR FOR GRM
	2WR-28392-20-00	. GRAPHIC, COWLING 2	1	UR FOR DBC1
31	26H-28338-00-00	. EMBLEM	1	
32	59G-28283-01-00	. BRACKET, pouch	1	
33	90267-32019-00	. RIVET, BLIND	2	
34	92990-03200-00	. WASHER, PLAIN	2	
35	59J-28379-00-00	. HOOK	1	
36	90201-04325-00	. WASHER, PLATE	1	
37	90201-033H3-00	. WASHER, PLATE	4	
38	26H-2837R-01-33	GRILL, air intake 2	1	YAMAHA BLK
39	26H-2838U-01-00	DUCT 4	1	
40	26H-28372-00-00	DAMPER	1	
41	90164-04006-00	SCREW, TAPPING	1	
42	90183-04027-00	NUT, SPRING	1	
43	1NL-28281-00-00	POUCH, COWLING 1	2	UR BROWN
	1NL-28281-10-00	POUCH, COWLING	2	UR BLK
44	90387-064J1-00	COLLAR	1	
45	98503-06014-00	SCREW, PAN HEAD (92502-06016)	1	
46	90159-06060-00	SCREW, WITH WASHER	2	
47	90159-05134-00	SCREW, w/washer	1	

CONTINUED ON NEXT FRAME ►

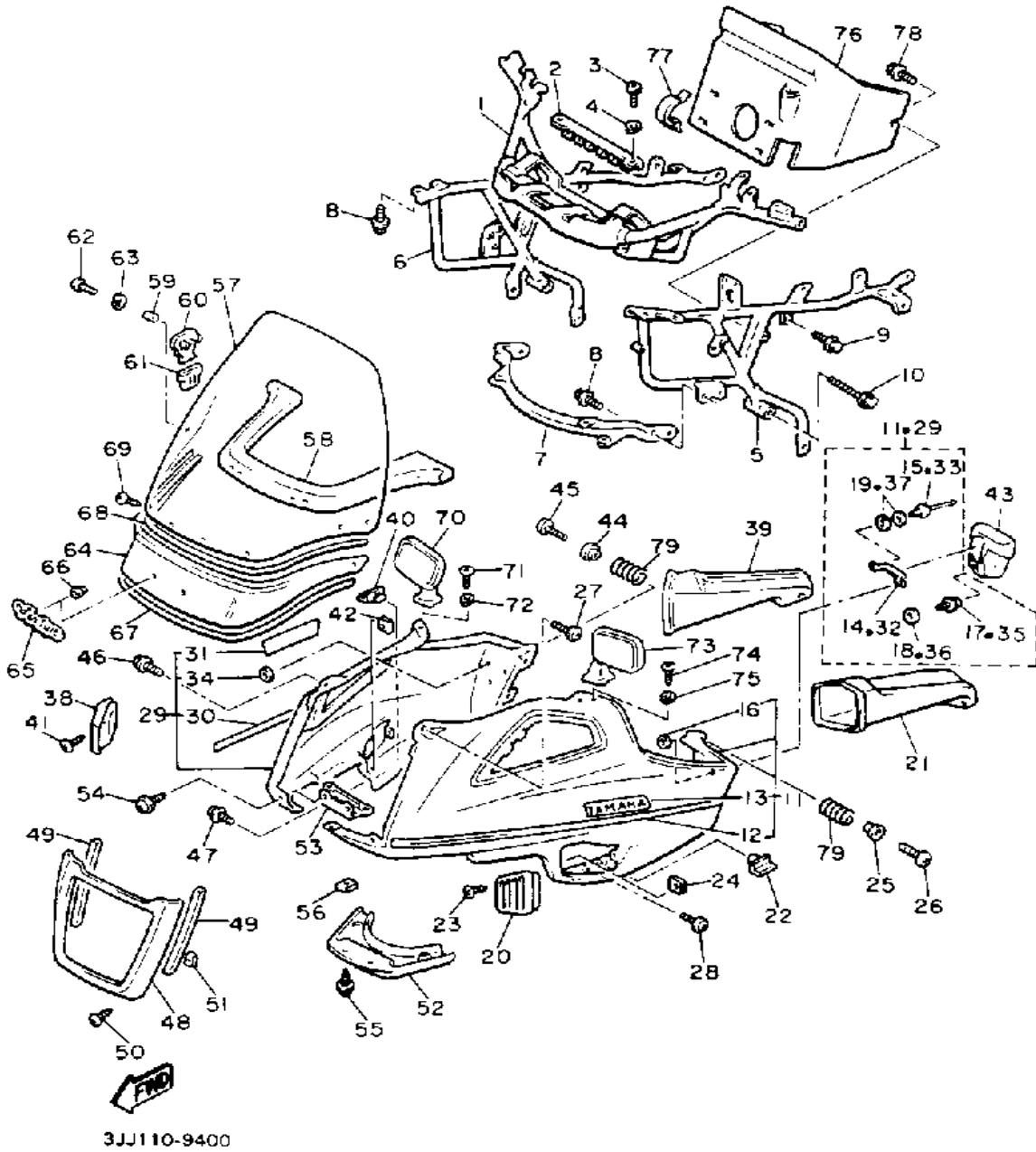
# FAIRING



Ref. No.	Part Number	Description	Qty	Remarks
48	1NL-2835A-00-8B	RIM, HEADLIGHT	1	UR DULL BLUE COCKTAIL 1
	1NL-2835A-00-R0	RIM, headlight	1	UR GRACEFUL MAROON
49	1NL-28378-00-00	PAD	2	
50	90164-04006-00	SCREW, TAPPING	2	
51	90183-04027-00	NUT, SPRING	2	
52	26H-2837T-00-9B	GRILL, AIR INTAKE 3	1	UR DARK GRAYISH BLUE METALLIC
	26H-2837T-00-JY	GRILL, AIR INTAKE 3	1	UR MIYABI MAROON
53	1NL-28336-00-00	PLATE	1	
54	90159-05134-00	SCREW, w/washer	2	
55	90159-05134-00	SCREW, w/washer	4	
56	90183-05024-00	NUT, SPRING	2	
57	ABA-26H01-11-00	SCREEN (41R-2837U-00)	1	
58	26H-28345-00-00	MOLE 1	1	
59	90387-056J6-00	COLLAR	2	
60	1NL-28361-00-00	PLATE, front	2	
61	2N4-21717-00-00	DAMPER	2	
62	98586-05016-00	SCREW, PAN HEAD	4	
63	92906-05100-00	WASHER, SPRING	4	
64	1NL-28346-00-00	MOLE 2	1	
65	54K-2842J-01-00	EMBLEM 3	1	
66	90480-01432-00	GROMMET	2	
67	1NL-28347-00-00	MOLE 3	1	
68	1NL-28348-01-00	MOLE 4	1	
69	90149-05185-00	SCREW	2	
70	26H-26290-01-00	BACK MIRROR ASS'Y (RIGHT)	1	
71	98511-05020-00	SCREW, PAN HEAD	2	
72	92990-05100-00	WASHER, SPRING	2	

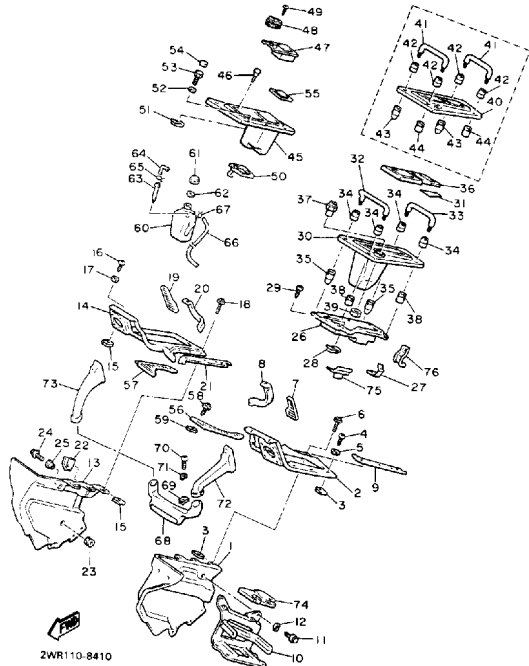
CONTINUED ON NEXT FRAME ►

# FAIRING



Ref. No.	Part Number	Description	Qty	Remarks
73	26H-26290-11-00	BACK MIRROR ASS'Y (LEFT)	1	
74	98511-05020-00	SCREW, PAN HEAD	2	
75	92990-05100-00	WASHER, SPRING	2	
76	41V-2836M-00-00	PANEL, inner 3	1	
77	1NL-28366-00-00	BRACKET	2	
78	90119-06117-00	BOLT, WITH WASHER	2	
79	90501-142E6-00	SPRING, compression	2	

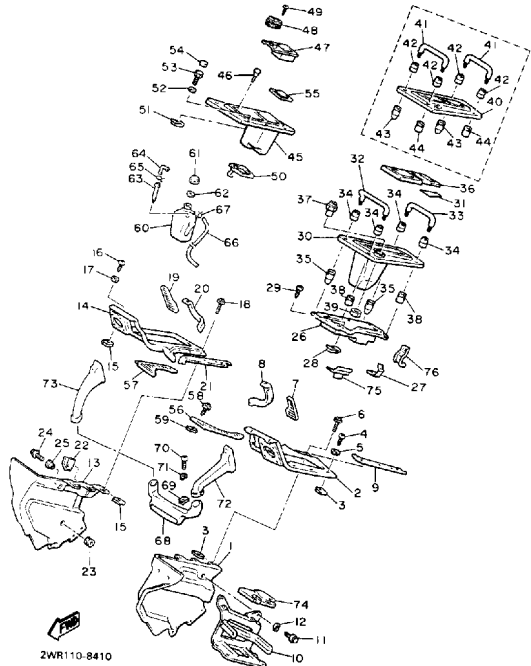
# COWLING 1



Ref. No.	Part Number	Description	Qty	Remarks
1	1NL-2836K-00-00	PANEL, inner 1	1	
2	26H-2837L-02-00	PANEL, console 1	1	
3	90183-05024-00	NUT, SPRING	11	
4	98586-05016-00	SCREW, PAN HEAD	3	
5	92906-05600-00	WASHER, PLATE	3	
6	90159-05134-00	SCREW, w/washer	8	
7	26H-2837V-00-00	GRILL, air outlet 1	1	
8	26H-2834G-00-00	MOLE 5	1	
9	26H-2836T-00-00	DAMPER, locating 1	1	
10	26H-28232-00-00	BRACKET, accessory 1	1	
11	97023-06020-00	BOLT (3XF)	2	
12	92995-06100-00	WASHER, SPRING	2	
13	1NL-2836L-00-00	PANEL, inner 2	1	
14	26H-2837M-01-00	PANEL, console 2	1	
15	90183-05024-00	NUT, SPRING	11	
16	98586-05016-00	SCREW, PAN HEAD	3	
17	92906-05600-00	WASHER, PLATE	3	
18	90159-05134-00	SCREW, w/washer	8	
19	26H-2837W-00-00	GRILL, air outlet 2	1	
20	26H-2834H-00-00	MOLE 6	1	
21	26H-2836U-00-00	DAMPER, locating 2	1	
22	90462-12131-00	CLAMP	1	
23	90480-40367-00	GROMMET	1	
24	95811-06020-00	BOLT, FLANGE	2	
25	90387-06681-00	COLLAR	2	
26	26H-28210-00-00	TERMINAL PANEL ASSEMBLY	1	
27	26H-28255-00-00	PLATE, spring	1	
28	90183-04027-00	NUT, SPRING	6	
29	90164-04006-00	SCREW, TAPPING	6	

CONTINUED ON NEXT FRAME ➤

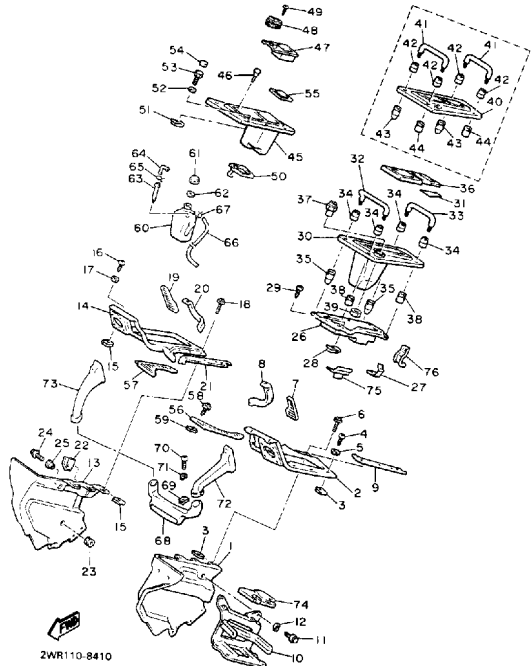
# COWLING 1



Ref. No.	Part Number	Description	Qty	Remarks
30	26H-28212-00-00	PANEL, accessory 1	1	
31	26H-28291-00-00	EMBLEM 1	1	
32	26H-28214-00-00	HANDLE, carrying 1	1	
33	26H-28224-00-00	HANDLE, carrying 2	1	
34	26H-28215-00-00	WASHER, special	4	
35	26H-28225-00-00	NUT, special	2	
36	26H-28217-00-00	DAMPER, 1	1	
37	26H-21708-00-00	SIDE COVER LOCK ASSEMBLY	1	
38	26H-28244-00-00	NUT, special 2	2	
39	90170-22187-00	NUT	1	
40	26H-28219-00-00	COVER 1	1	
41	26H-28224-00-00	HANDLE, carrying 2	2	
42	26H-28215-00-00	WASHER, special	4	
43	26H-28225-00-00	NUT, special	2	
44	26H-28244-00-00	NUT, special 2	2	
45	59J-28221-00-00	PANEL, terminal	1	
46	26H-2843A-00-00	DAMPER, grip	2	
47	59J-28222-00-00	PANEL, accessory 2	1	
48	1HX-21780-00-00	LOCK ASSEMBLY	1	
49	97701-40510-00	SCREW, TAPPING	2	
50	59J-28242-00-00	BRACKET, accessoryu 2	1	
51	90183-04039-00	NUT, spring	6	
52	92906-04600-00	WASHER, PLATE	6	
53	91316-04016-00	BOLT	6	
54	90338-07175-00	PLUG	6	
55	26H-28247-00-00	DAMPER 4	1	
56	26H-2835E-00-00	HOOD 1	1	
57	26H-2835F-00-00	HOOD 2	1	
58	90159-05134-00	SCREW, w/washer	2	

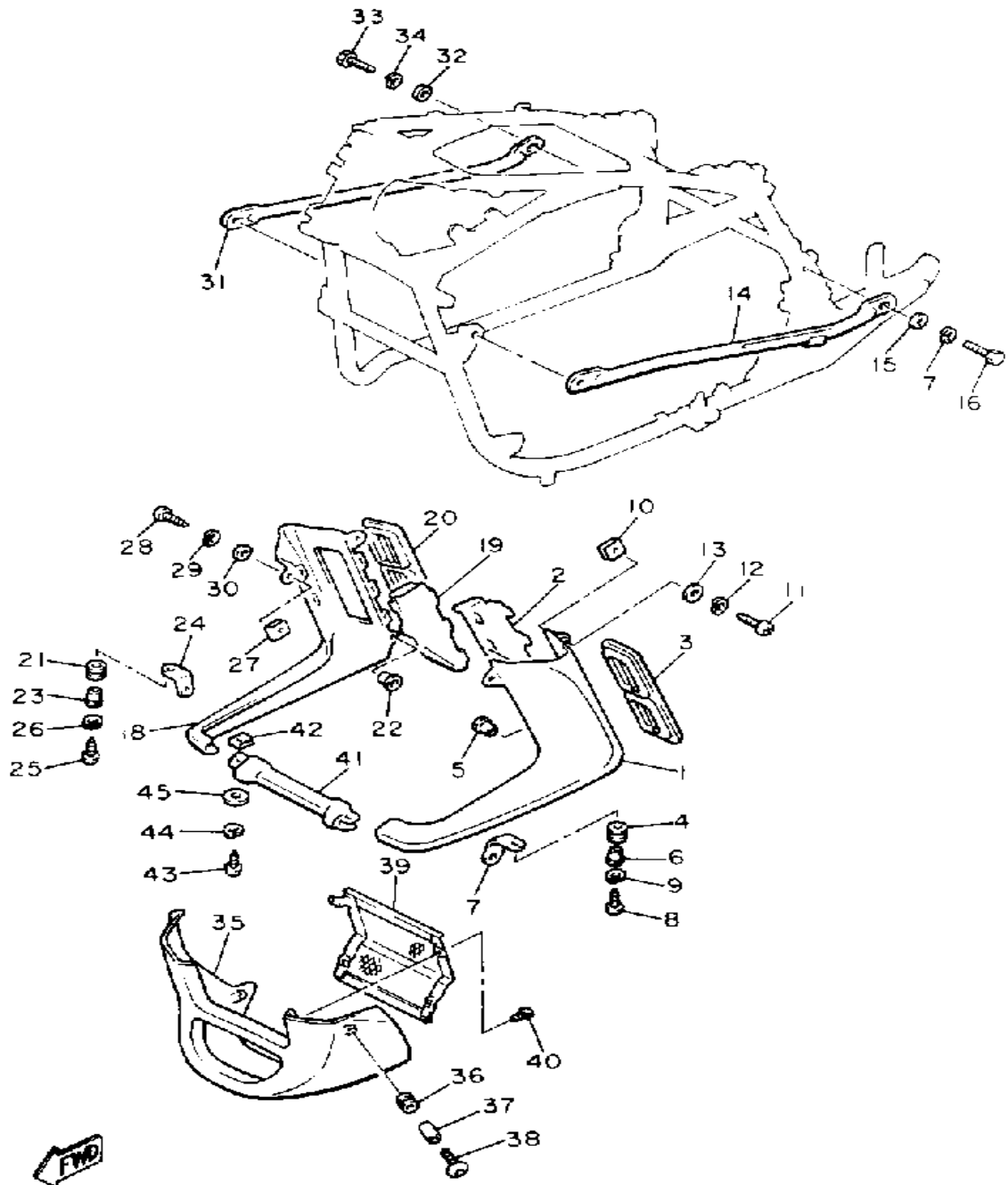
CONTINUED ON NEXT FRAME ➤

# COWLING 1



Ref. No.	Part Number	Description	Qty	Remarks
59	90183-05024-00	NUT, SPRING	2	
60	26H-21871-01-00	TANK, recovery	1	
61	26H-21875-00-00	CAP	1	
62	26H-21874-00-00	GASKET	1	
63	26H-21816-01-00	PIPE 1	1	
64	26H-21828-00-00	ELBOW	1	
65	90467-11019-00	CLIP	1	
66	90446-11206-00	HOSE	1	
67	90467-10008-00	CLIP	1	
68	26H-2838J-00-00	DUCT 5	1	
69	90183-05024-00	NUT, SPRING	2	
70	98580-05016-00	SCREW, PAN HEAD	2	
71	92990-05100-00	WASHER, SPRING	2	
72	26H-2838N-00-00	DUCT 1	1	
73	26H-2838R-00-00	DUCT 2	1	
74	26H-28239-00-00	COVER 3	1	
75	26H-28265-00-00	CLAMP, connecting	1	
76	26H-28266-00-00	CLAMP, connecting 2	1	

# COWLING 2

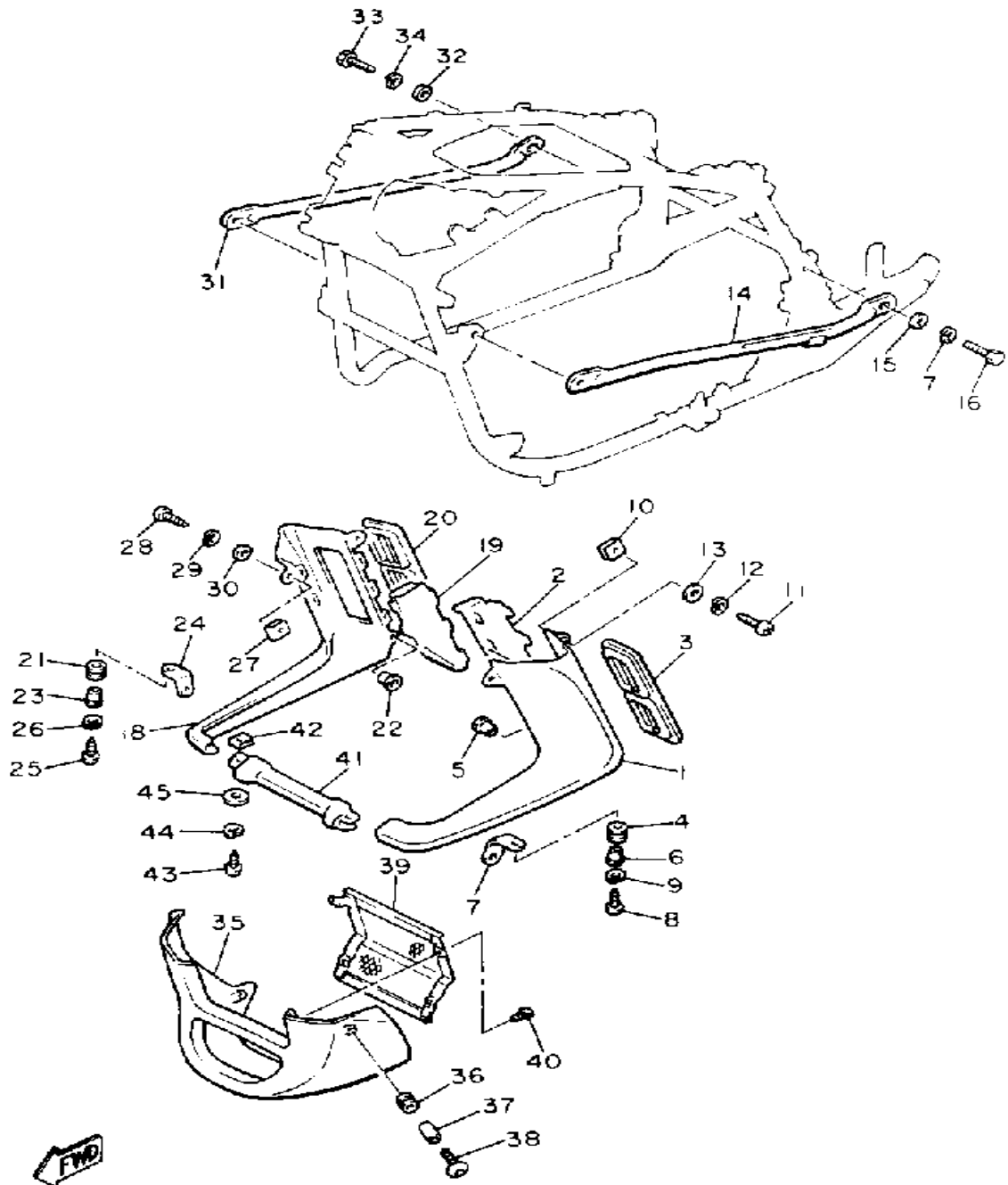


2WV110-8410

Ref. No.	Part Number	Description	Qty	Remarks
1	26H-2835J-01-9B	BODY, FRONT LOWER 1	1	UR DARK GRAYISH BLUE METALLIC
	26H-2835J-01-JY	BODY, FRONT LOWER 1	1	UR MIYABI MAROON
2	26H-2836N-02-00	PANEL, inner 4	1	
3	26H-2837X-00-00	GRILL, air outlet 3	1	
4	90480-15058-00	GROMMET	1	
5	90480-08374-00	GROMMET	1	
6	90387-071E0-00	COLLAR	1	
7	26H-2833X-02-00	BRACKET 2	1	
8	98580-06020-00	SCREW	1	
9	92995-06100-00	WASHER, SPRING	1	
10	90183-06023-00	NUT, SPRING	2	
11	98503-06014-00	SCREW, PAN HEAD (92502-06016)	2	
12	92995-06100-00	WASHER, SPRING	2	
13	92990-06600-00	WASHER, PLATE	2	
14	41R-28357-00-00	STAY 2	1	
15	92990-08200-00	WASHER, PLAIN	1	
16	97313-08020-00	BOLT, HEXAGON	1	
17	92990-08100-00	WASHER	1	
18	26H-2835K-01-9B	BODY, FRONT LOWER 2	1	UR DARK GRAYISH BLUE METALLIC
	26H-2835K-01-JY	BODY, FRONT LOWER 2	1	UR MIYABI MAROON
19	26H-2836R-01-00	PANEL, inner 5	1	
20	26H-2837Y-00-00	GRILL, air outlet 4	1	
21	90480-15058-00	GROMMET	1	
22	90480-08371-00	GROMMET	1	
23	90387-071E0-00	COLLAR	1	
24	26H-2833Y-02-00	BRACKET 3	1	
25	98580-06020-00	SCREW	1	

CONTINUED ON NEXT FRAME ►

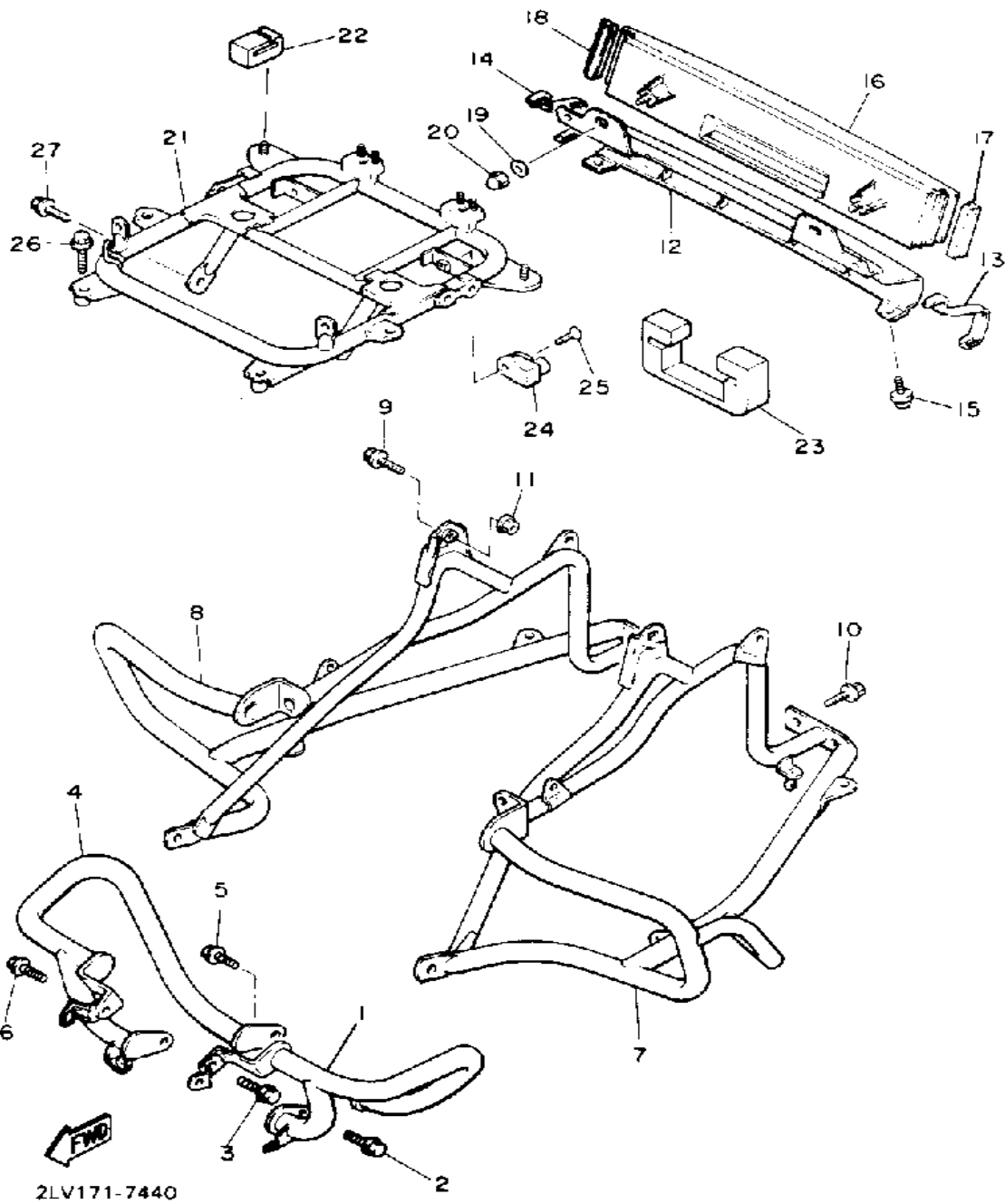
# COWLING 2



2WV110-8410

Ref. No.	Part Number	Description	Qty	Remarks
26	92995-06100-00	WASHER, SPRING .....	1	
27	90183-06023-00	NUT, SPRING .....	2	
28	98503-06014-00	SCREW, PAN HEAD (92502-06016) .....	2	
29	92995-06100-00	WASHER, SPRING .....	2	
30	92990-06600-00	WASHER, PLATE .....	2	
31	41R-28358-00-00	STAY 3 .....	1	
32	92990-08200-00	WASHER, PLAIN .....	1	
33	97313-08020-00	BOLT, HEXAGON .....	1	
34	92990-08100-00	WASHER .....	1	
35	1NL-28385-00-9B	COVER, LOWER .....	1	UR DARK GRAYISH BLUE METALLIC
	1NL-28385-00-JY	COVER, LOWER .....	1	UR MIUABI MAROON
36	90480-13018-00	GROMMET .....	4	
37	90387-060G7-00	COLLAR .....	4	
38	90110-06078-00	BOLT, HEXAGON SOCKET ...	4	
39	1NL-28365-00-00	COVER .....	1	
40	97706-40510-00	SCREW, TAPPING .....	4	
41	26H-2835M-00-9B	FIN .....	1	UR DARK GRAYISH BLUE METALLIC
	26H-2835M-00-JY	FIN .....	1	UR MIYABI MAROON
42	90183-06023-00	NUT, SPRING .....	2	
43	98506-06016-00	SCREW, PANHEAD .....	2	
44	92906-06100-00	WASHER, SPRING .....	2	
45	92906-06600-00	WASHER .....	2	

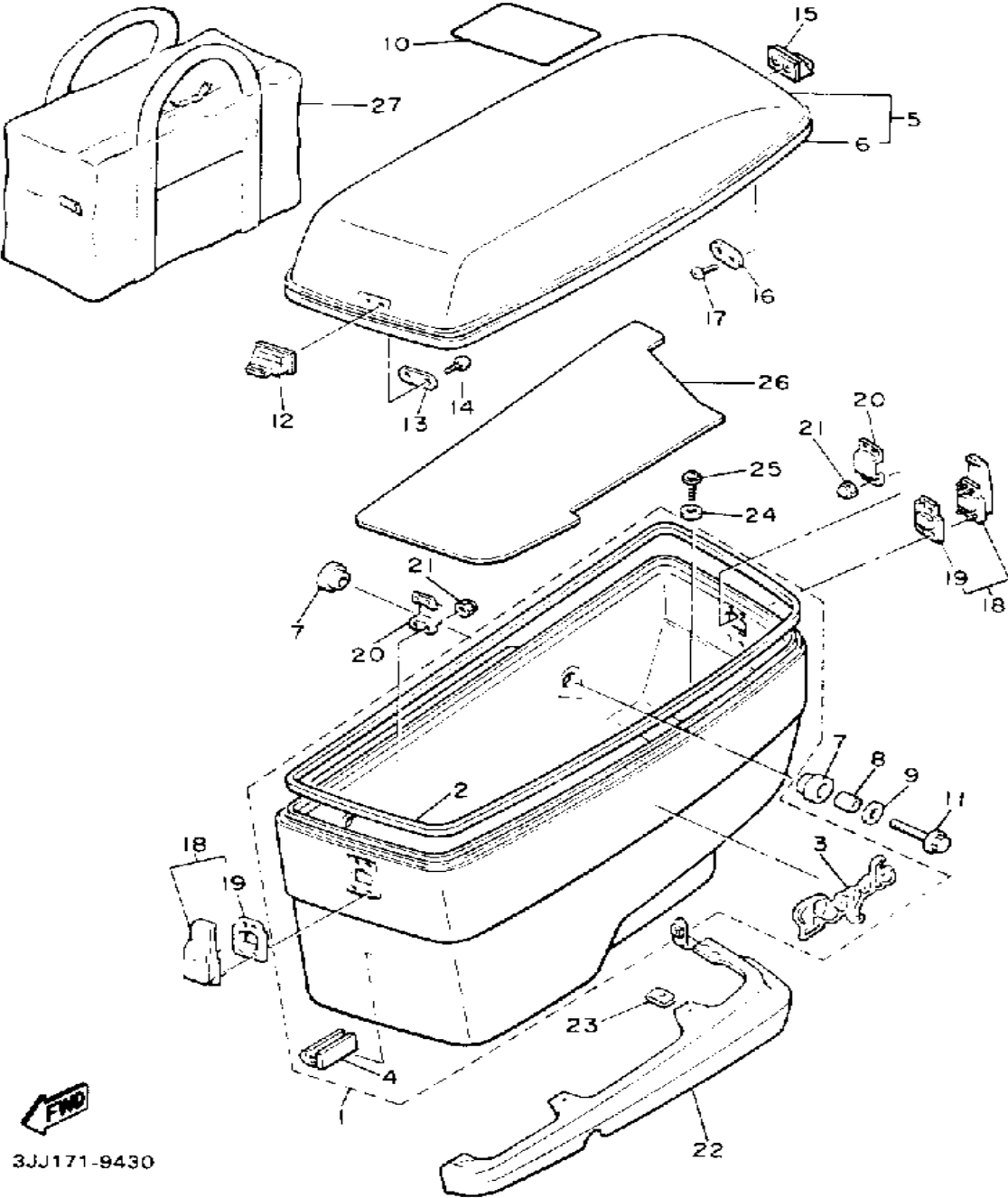
# GUARD



Ref. No.	Part Number	Description	Qty	Remarks
1	1NL-28418-01-00	GUARD, engine 1	1	
2	90105-08705-00	BOLT, WASHER BASED	2	
3	95023-08020-00	BOLT	1	
4	1NL-28419-01-00	GUARD, engine 2	1	
5	90105-08705-00	BOLT, WASHER BASED	2	
6	95023-08020-00	BOLT	1	
7	1NL-28473-02-00	FRAME, saddlebag 1	1	
8	1NL-28474-02-00	FRAME, saddlebag 2	1	
9	95821-08020-00	BOLT, FLANGE (95801-08020)	2	
10	95811-08016-00	BOLT, FLANGE	4	
11	95701-08500-00	NUT, FLANGE	2	
12	1NL-28422-00-00	GUARD, saddlebag 1	1	
13	1NL-28438-00-00	MOULDING 3	1	
14	1NL-28439-00-00	MOULDING 4	1	
15	90159-05134-00	SCREW, w/washer	4	
16	1NL-85130-00-00	REAR REFLECTOR ASS'Y	1	
17	1NL-2844N-00-00	MOULDING 7	1	
18	1NL-2844R-00-00	MOULDING 8	1	
19	92906-06200-00	WASHER	2	
20	95306-06800-00	NUT	2	
21	1NL-28475-00-00	FRAME, TRAVEL TRUNK	1	
22	1NL-28415-00-00	DAMPER 1	1	
23	1NL-28416-00-00	DAMPER 2	2	
24	26H-21308-00-00	HELMET HANGER ASSEMBLY (4R8-21308-00)	2	
25	90149-06150-00	SCREW	2	
26	95811-08040-00	BOLT, FLANGE	2	
27	95811-08016-00	BOLT, FLANGE	2	

2LV171-7440

# SADDLEBAG 1

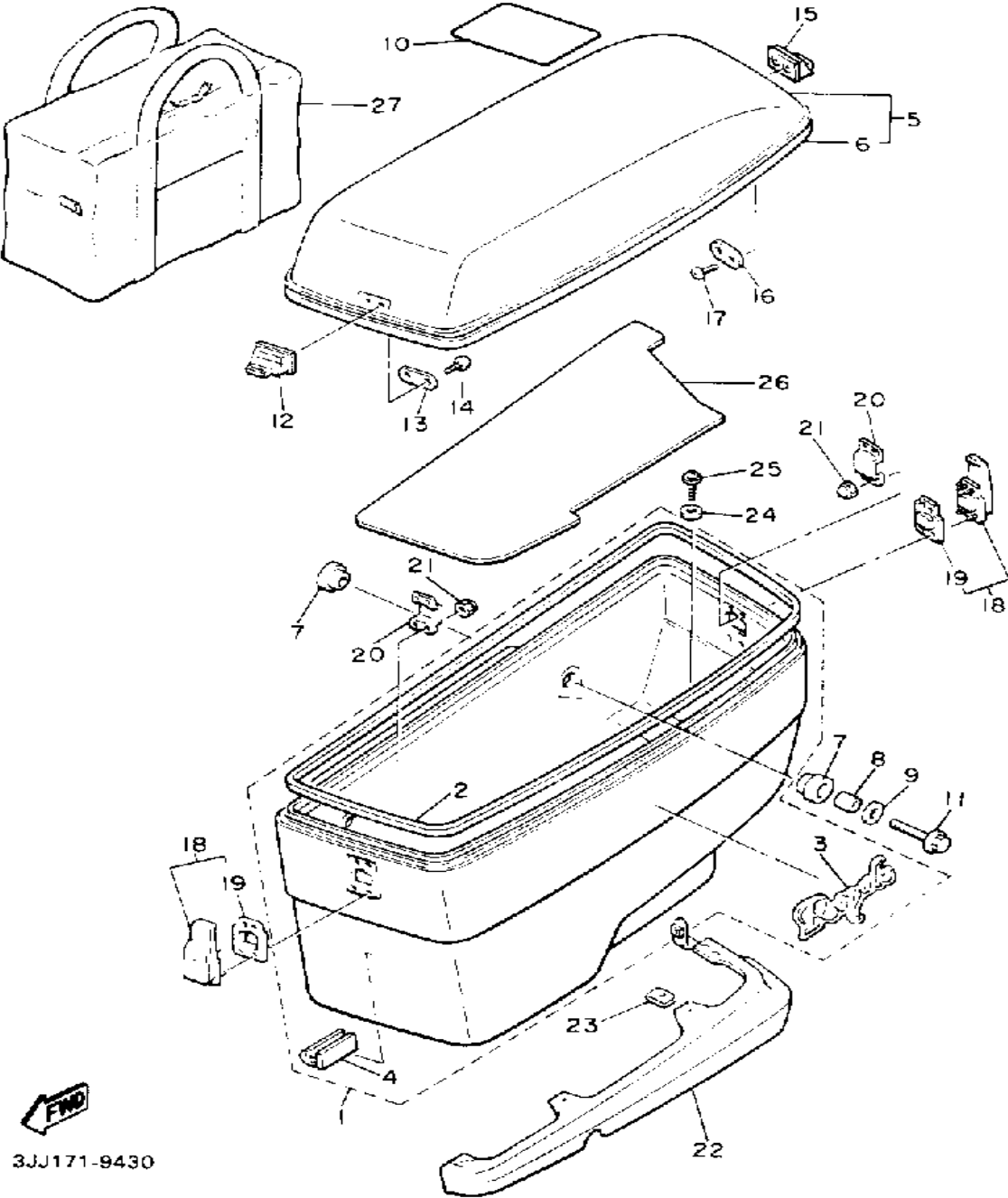


3JJ171-9430

Ref. No.	Part Number	Description	Qty	Remarks
1	1NL-Y2841-00-9B	SADDLEBAG 1	1	UR DARK GRAYISH BLUE METALLIC
	1NL-Y2841-00-JY	SADDLEBAG 1	1	UR MIYABI MAROON
2	1NL-28428-00-00	. SEAL 1	1	
3	31M-2844A-01-00	. EMBLEM 4	1	
4	90464-62085-00	. CLAMP	2	
5	1NL-Y2842-00-R0	SADDLEBAG 2	1	UR GRACEFUL MAROON
	1NL-Y2842-20-8B	SADDLEBAG 2	1	UR DULL BLUE COCKTAIL 1
6	2WR-2841G-10-00	. GRAPHIC 1	1	UR FOR GRM
	2WR-2841G-20-00	. GRAPHIC 1	1	UR FOR DBC1
7	90480-20447-00	GROMMET	8	
8	90387-083K2-00	COLLAR	4	
9	90201-065G8-00	WASHER, PLATE	4	
10	2WR-2848L-00-00	SEAT 3	1	
11	95816-06035-00	BOLT, FLANGE	4	
12	1NL-Y284J-00-00	PLATE, rubber 1	1	
13	1NL-28487-00-00	PLATE 2	1	
14	98506-05008-00	SCREW, PAN HEAD	2	
15	1NL-Y284K-00-00	PLATE, rubber 2	1	
16	1NL-28487-00-00	PLATE 2	1	
17	98506-05008-00	SCREW, PAN HEAD	2	
18	1NL-28408-01-00	GRIP, saddlebag	2	
19	1NL-2849F-00-00	. SEAL 7	2	
20	1NL-28493-00-00	. COVER LOCK ASSEMBLY 2	2	
21	95306-05800-00	NUT (CROWN)	8	
22	1NL-2840K-00-00	GUARD COMP	1	
23	90183-05024-00	NUT, SPRING	3	
24	90202-05147-00	WASHER, PLATE	3	

CONTINUED ON NEXT FRAME ►

# SADDLEBAG 1

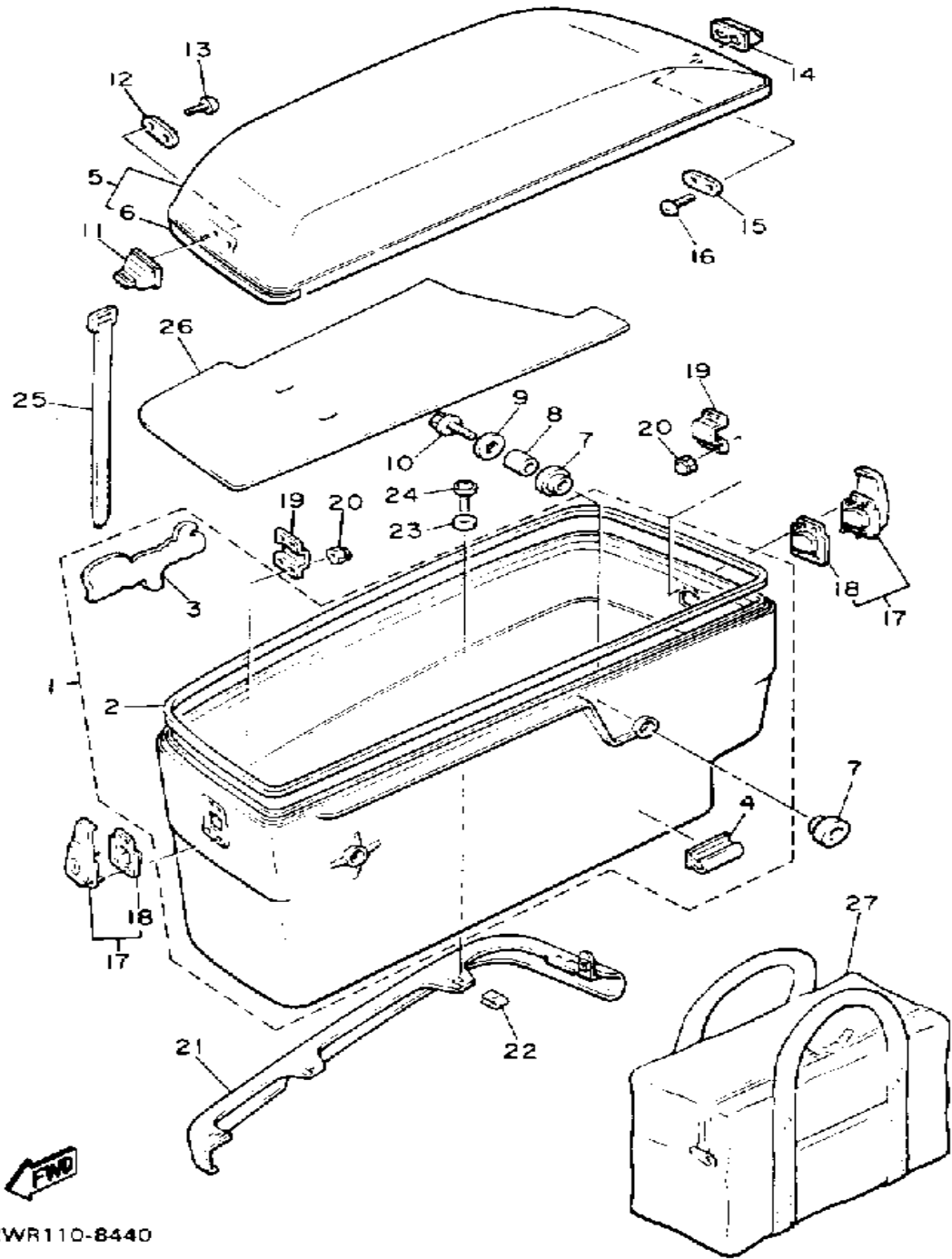


Ref. No.	Part Number	Description	Qty	Remarks
25	90159-05134-00	SCREW, w/washer .....	3	
26	1NL-2848H-00-00	SEAT .....	1	
27	1NL-28479-01-00	BAG INNER 1 .....	1	

3JJ171-9430

# SADDLEBAG 2

Ref. No.	Part Number	Description	Qty	Remarks
1	1NL-Y2848-00-9B	SADDLEBAG 3 .....	1	UR DARK GRAYISH BLUE METALLIC
	1NL-Y2848-00-JY	SADDLEBAG 3 .....	1	UR MIYABI MAROON
2	1NL-28428-00-00	. SEAL 1 .....	1	
3	31M-2844A-01-00	. EMBLEM 4 .....	2	
4	90464-62085-00	. CLAMP .....	2	
5	1NL-Y2849-00-R0	SADDLEBAG 4 .....	1	UR GRACEFUL MAROON
	1NL-Y2849-20-8B	SADDLEBAG 4 .....	1	UR DULL BLUE COCKTAIL 1
6	2WR-2841G-10-00	. GRAPHIC 1 .....	1	UR FOR GRM
	2WR-2841G-20-00	. GRAPHIC 1 .....	1	UR FOR DBC1
7	90480-20447-00	GROMMET .....	8	
8	90387-083K2-00	COLLAR .....	4	
9	90201-065G8-00	WASHER, PLATE .....	4	
10	95816-06035-00	BOLT, FLANGE .....	4	
11	1NL-Y284J-00-00	PLATE, rubber 1 .....	1	
12	1NL-28487-00-00	PLATE 2 .....	1	
13	98506-05008-00	SCREW, PAN HEAD .....	2	
14	1NL-Y284K-00-00	PLATE, rubber 2 .....	1	
15	1NL-28487-00-00	PLATE 2 .....	1	
16	98506-05008-00	SCREW, PAN HEAD .....	2	
17	1NL-28408-01-00	GRIP, saddlebag .....	2	
18	1NL-2849F-00-00	. SEAL 7 .....	2	
19	1NL-28493-00-00	COVER LOCK ASSEMBLY 2 ..	2	
20	95306-05800-00	NUT (CROWN) .....	8	
21	1NL-2840M-00-00	GUARD COMP. 2 .....	1	
22	90183-05024-00	NUT, SPRING .....	3	
23	90202-05147-00	WASHER, PLATE .....	3	
24	90159-05134-00	SCREW, w/washer .....	3	

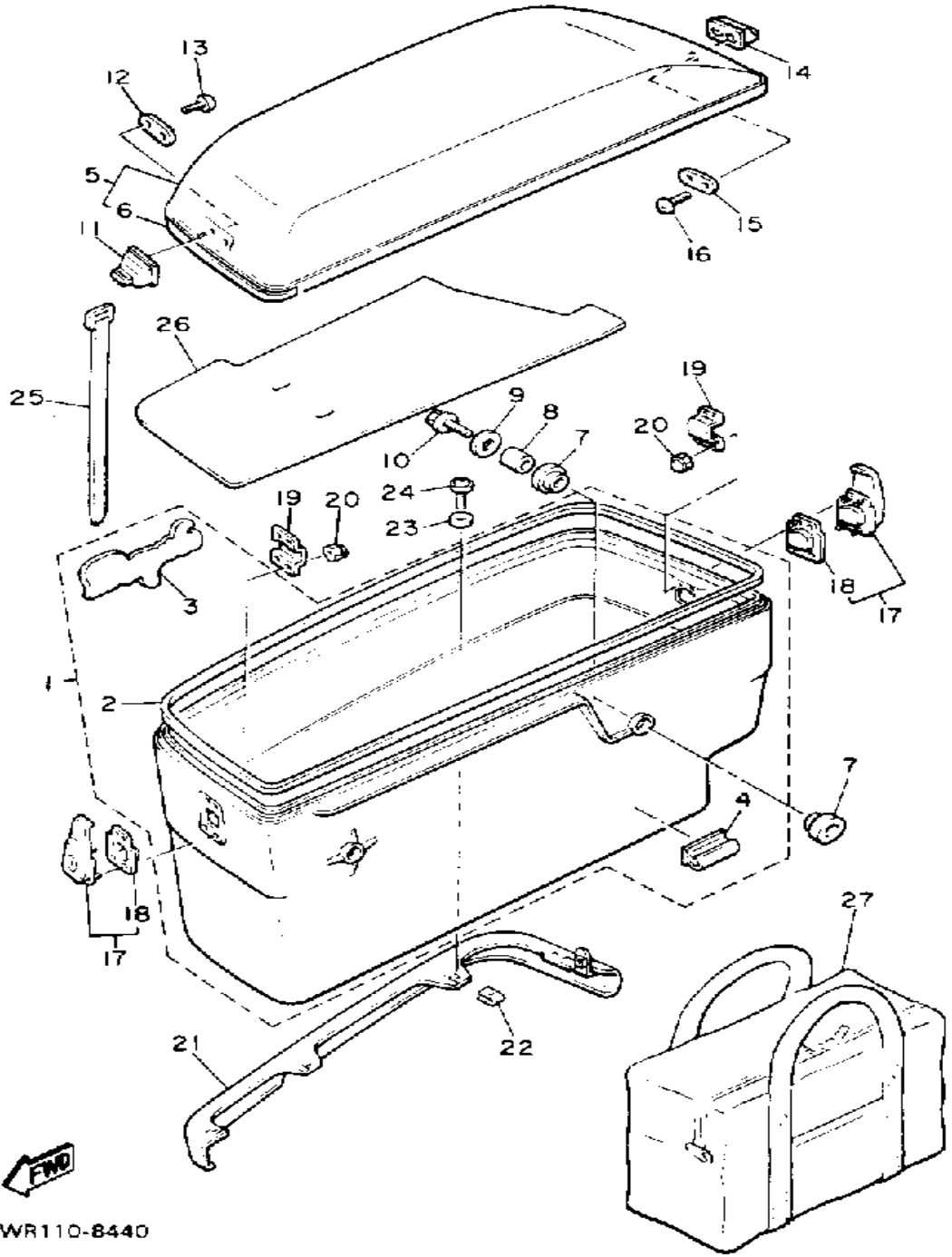


2WR110-8440

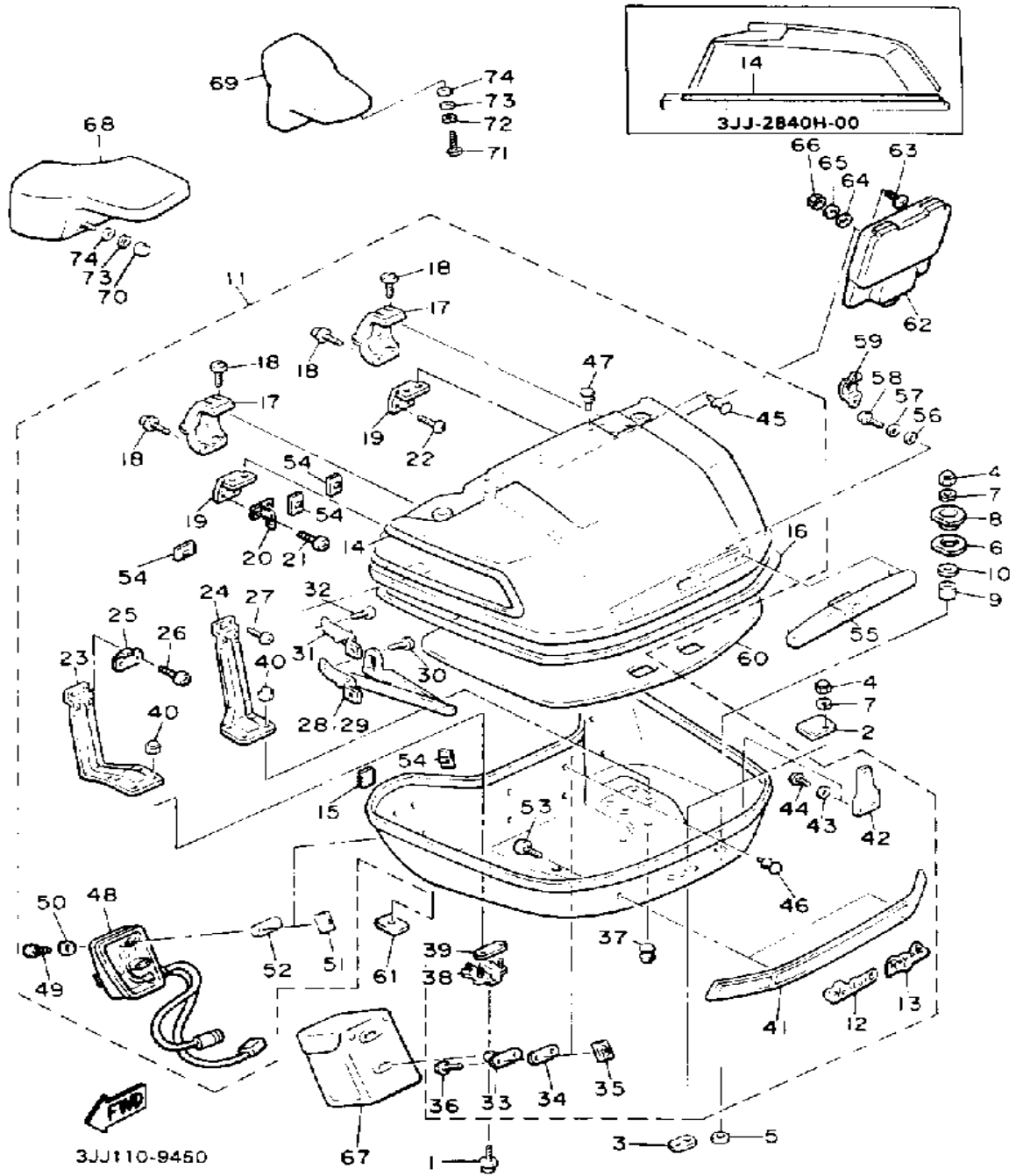
CONTINUED ON NEXT FRAME ►

# SADDLEBAG 2

Ref. No.	Part Number	Description	Qty	Remarks
25	26H-21376-00-00	BAND, tool .....	1	
26	1NL-2848H-00-00	SEAT .....	1	
27	1NL-28479-01-00	BAG INNER 1 .....	1	



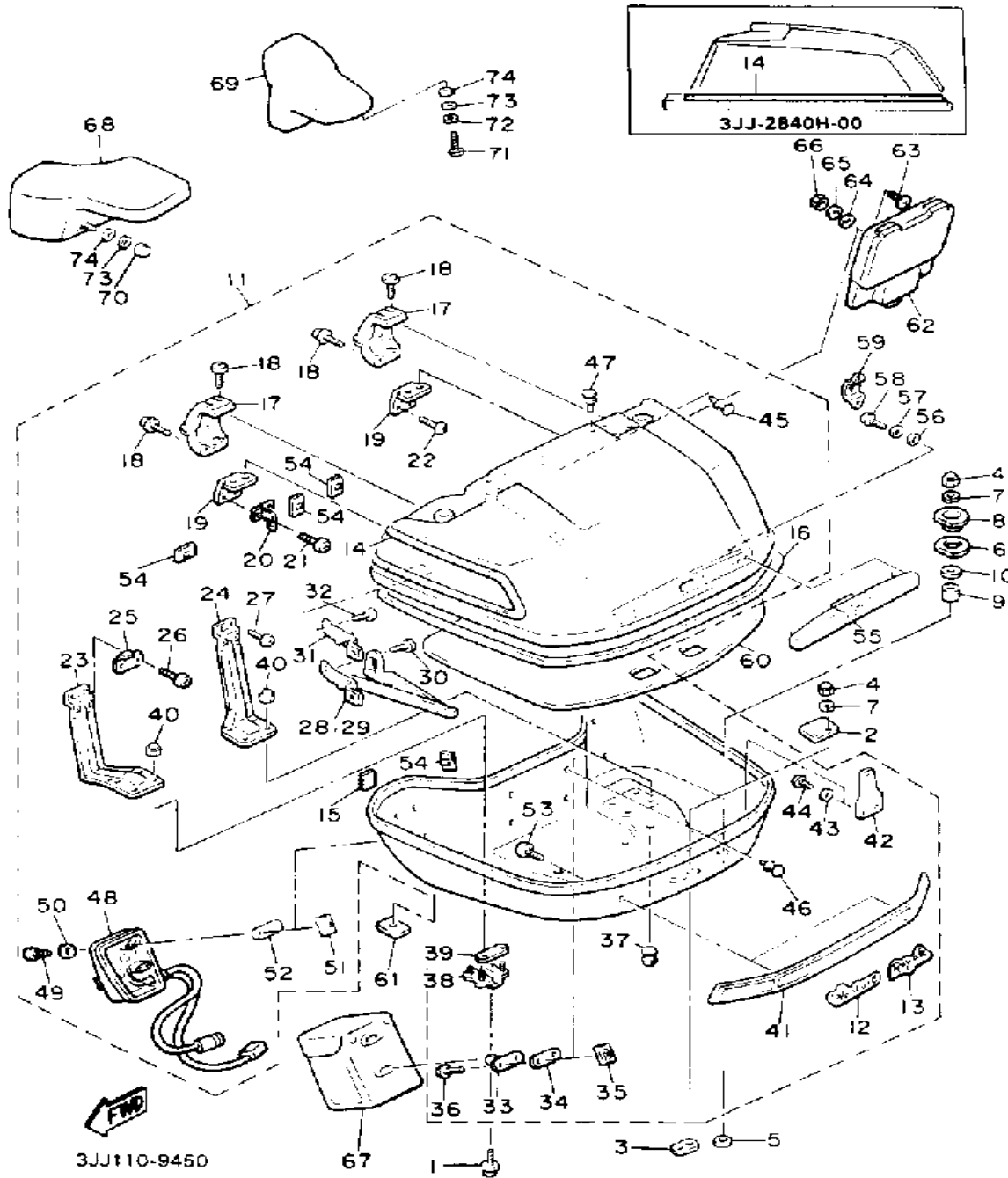
# TRAVELBAG



Ref. No.	Part Number	Description	Qty	Remarks
1	95023-06010-00	BOLT, FLANGE	2	
2	54K-28497-00-00	PLATE 3	2	
3	54K-2849J-00-00	PLATE, rubber 9	2	
4	95306-06800-00	NUT	6	
5	90202-06058-00	. WASHER, PLATE	2	
6	1NL-2845K-00-00	PLATE, rubber 0	2	
7	92906-06100-00	WASHER, SPRING	6	
8	1NL-2843K-00-00	REINFORCEMENT 4	2	
9	90387-060A3-00	COLLAR	2	
10	90202-08125-00	WASHER, PLATE	2	
11	2WR-Y284E-00-7X	TRAVEL TRUNKCOMP	1	UR GRACEFULLY MAROON MIYABI MAR.
	2WR-Y284E-00-8X	TRAVEL TRUNKCOMP	1	UR DULLBLUE COCTAIL 1 DARK
12	54K-2842J-01-00	. EMBLEM 3	1	
13	31M-2842J-00-00	. EMBLEM 3	1	
14	2WR-2840H-10-00	. GRAPHIC SET, TRUNK TRAVEL TRUNK	1	UR FOR GRM
	3JJ-2840H-00-00	. GRAPHIC SET, TRUNK TRAVEL TRUNK	1	UR FOR DBC1
15	2WR-28415-00-00	. DAMPER 1	2	
16	54K-2847F-00-00	. SEAL 5	1	
17	54K-2845E-00-00	. HINGE 2	2	
18	90159-05132-00	. SCREW, WITH WASHER	8	
19	54K-2845H-00-00	. REINFORCEMENT 3	2	
20	1NL-28469-00-00	. TRUNK SWITCH BRKT. 8	1	
21	97701-30108-00	. SCREW, tapping	2	
22	97701-30606-00	. SCREW, tapping (97701-30106)	2	
23	54K-28486-00-00	. BRACKET 5	1	

CONTINUED ON NEXT FRAME ➤

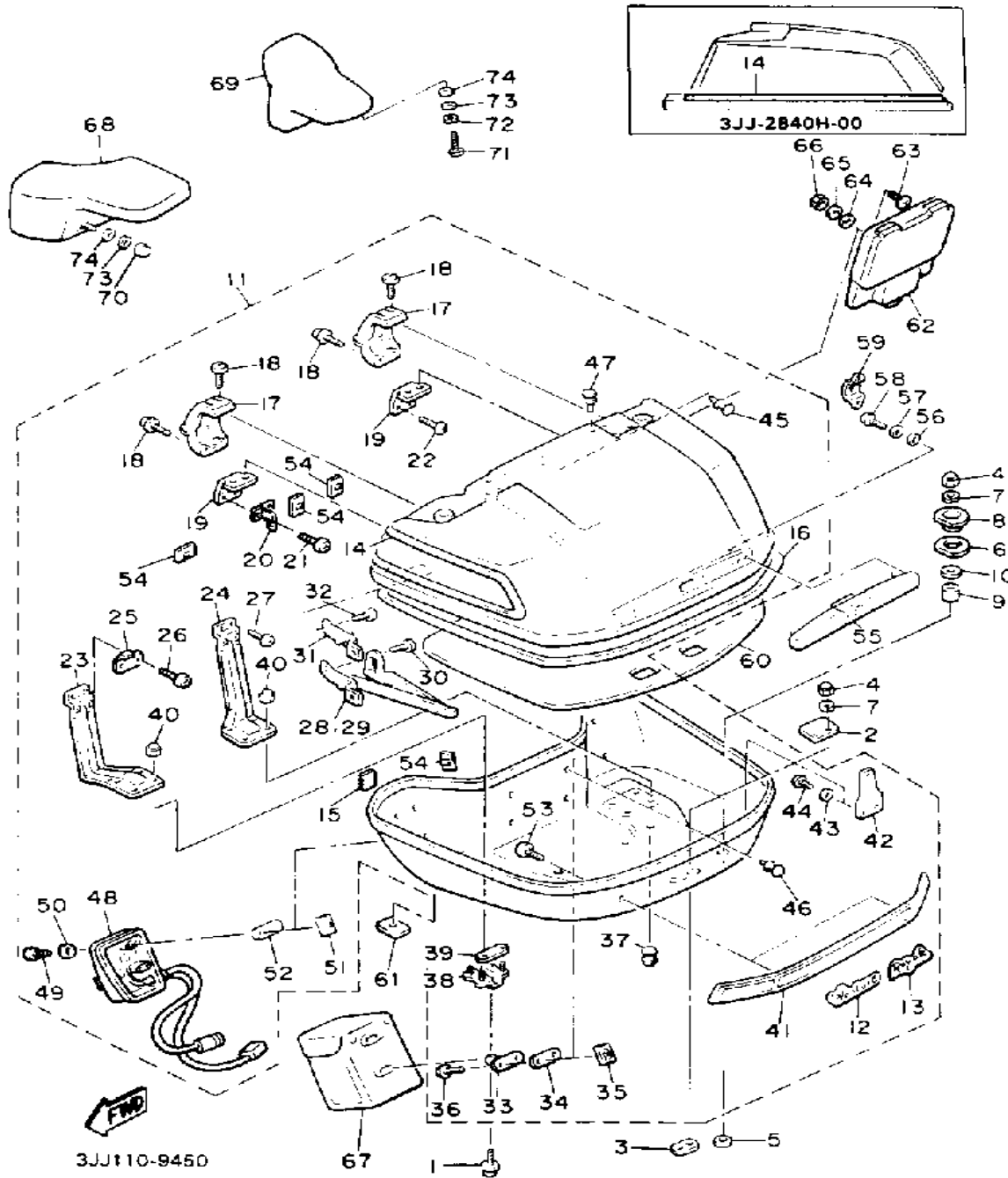
# TRAVELBAG



Ref. No.	Part Number	Description	Qty	Remarks
24	54K-28496-00-00	. BRACKET 6	1	
25	1NL-28468-00-00	. TRUNK SWITCH BRKT. 7	1	
26	97701-30108-00	. SCREW, tapping	2	
27	97701-30606-00	. SCREW, tapping (97701-30106)	2	
28	1NL-2845L-00-00	. STOPPER, open	1	FOR LEFT SIDE
29	1NL-2845M-00-00	. STOPPER, open	1	FOR RIGHT SIDE
30	97701-30606-00	. SCREW, tapping (97701-30106)	4	
31	1NL-2849R-00-00	. BRACKET, trunk stopper	2	
32	97701-30606-00	. SCREW, tapping (97701-30106)	4	
33	54K-2844L-00-00	. HOOK	2	
34	54K-2849F-00-00	. SEAL 7	2	
35	54K-2849M-00-00	. NUT, special	2	
36	97701-40710-00	. SCREW, tapping	4	
37	90480-10068-00	. GROMMET	6	
38	1NL-28476-00-00	. BRACKET 3	2	
39	1NL-28485-00-00	. PLATE, rubber 3	4	
40	95306-05800-00	. NUT (CROWN)	8	
41	54K-85140-00-00	. REAR REFLECTOR ASS'Y	1	
42	54K-28488-00-00	. HOOK	2	
43	90201-06059-00	. WASHER, PLATE	4	
44	98506-05010-00	. SCREW, PAN HEAD	4	
45	90338-07180-00	. PLUG	1	
46	90338-06181-00	. PLUG	4	
47	26H-2843A-00-00	. DAMPER, grip	2	
48	1NL-8816A-00-00	. REMOTE CONTROL BASE ASS'Y	1	
49	90167-40042-00	. SCREW, tapping	4	

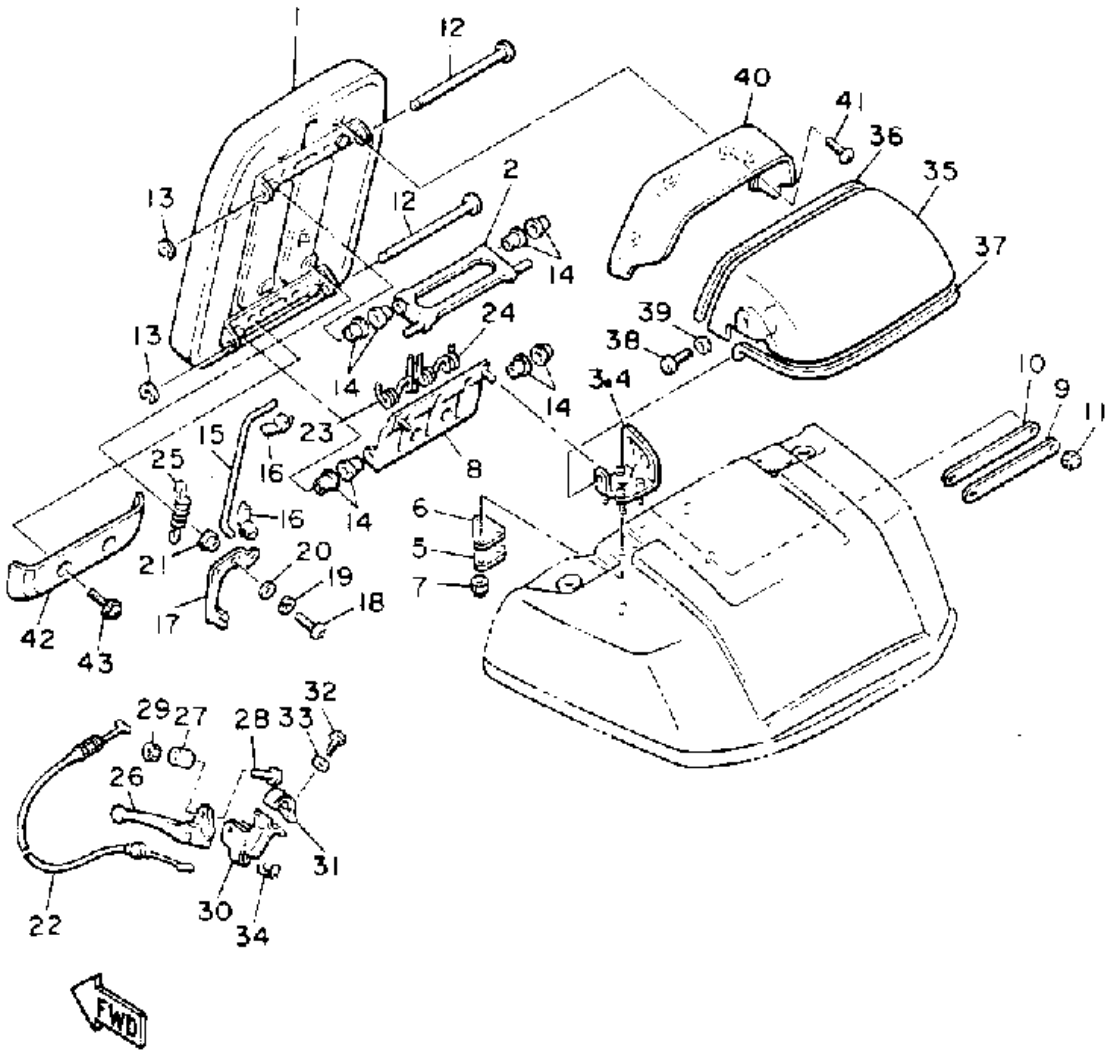
CONTINUED ON NEXT FRAME ►

# TRAVELBAG



Ref. No.	Part Number	Description	Qty	Remarks
50	92906-04600-00	. WASHER, PLATE	4	
51	54K-2849M-00-00	. NUT, special	2	
52	54K-2849F-00-00	. SEAL 7	2	
53	97706-40008-00	. SCREW, tapping	3	
54	90464-62085-00	. CLAMP	5	
55	54K-28408-00-00	GRIP, SADDLEBAG	1	
56	90202-08146-00	WASHER, plate	6	
57	90201-05721-00	WASHER, PLATE	2	
58	98506-05008-00	SCREW, PAN HEAD	6	
59	54K-28493-00-00	COVER LOCK ASS'Y 2	2	
60	54K-2848H-00-00	SEAT	1	
61	1NL-2848K-00-00	SEAT 2	1	
62	1NL-2840U-00-00	VANITY MIRROR ASS'Y	1	
63	90154-05005-00	SCREW, BINDING	4	
64	90202-05147-00	WASHER, PLATE	4	
65	90201-05721-00	WASHER, PLATE	4	
66	95306-05600-00	NUT	4	
67	1NL-28402-00-00	POUCH 2	1	UR BROWN
	1VE-28402-00-00	POUCH, 2	1	UR BLACK
68	1NL-2840R-00-00	REST, ARM L/H	1	UR BROWN
	1VE-2840R-00-00	REST, ARM L/H	1	UR BLACK
69	1NL-2840T-00-00	REST, ARM R/H	1	UR BROWN
	1VE-2840T-00-00	REST, ARM R/H	1	UR BLACK
70	95306-05800-00	NUT (CROWN)	2	
71	98586-05016-00	SCREW, PAN HEAD	2	
72	92906-05100-00	WASHER, SPRING	2	
73	90202-05147-00	WASHER, PLATE	4	
74	90201-05721-00	WASHER, PLATE	4	

# BACK REST

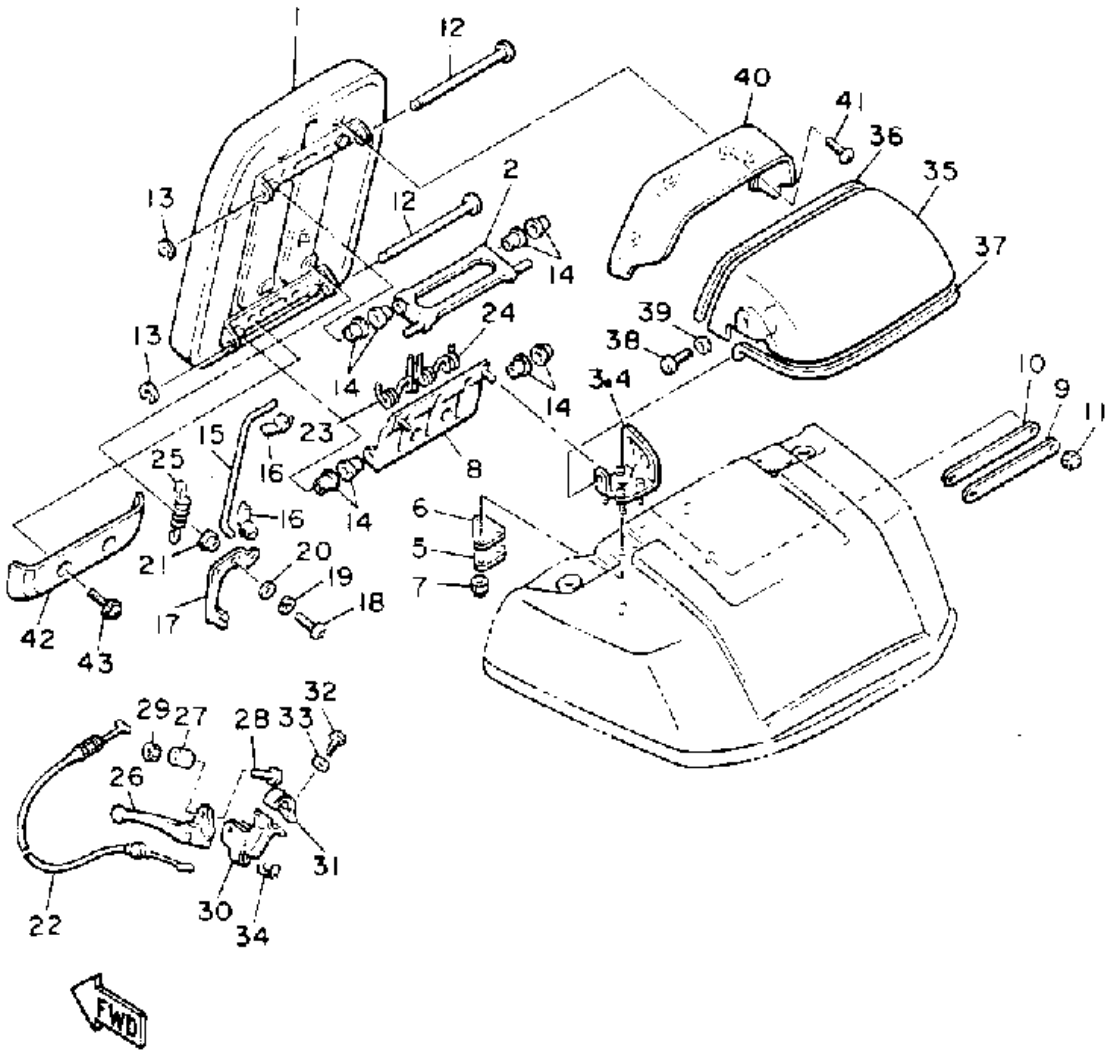


2WV110-8450

Ref. No.	Part Number	Description	Qty	Remarks
1	1NL-2840F-00-00	BACK REST ASSEMBLY	1	UR BROWN
	1VE-2840F-00-00	BACK REST ASSEMBLY	1	UR BLACK
2	1NL-28444-00-00	HINGE 1	1	
3	1NL-2846M-01-00	BRACKET, hinge	1	LEFT SIDE
4	1NL-2846N-01-00	BRACKET, hinge 2	1	RIGHT SIDE
5	1NL-2847H-00-00	PLATE 5	2	
6	1NL-2847J-00-00	PLATE, rubber 7	2	
7	95306-05800-00	NUT (CROWN)	6	
8	1NL-28477-01-00	BRACKET 4	1	
9	1NL-2849H-00-00	PLATE 6	1	
10	1NL-2846J-00-00	PLATE, rubber 6	1	
11	95306-05800-00	NUT (CROWN)	2	
12	1NL-2844M-00-00	SHAFT 1	2	
13	99080-05600-00	CIRCLIP	2	
14	90386-06108-00	BUSH	8	
15	1NL-28478-00-00	ROD	1	
16	1NL-28424-00-00	JOINT, cage	2	
17	1NL-2841A-01-00	LEVER	1	
18	98586-05016-00	SCREW, PAN HEAD	1	
19	92906-05100-00	WASHER, SPRING	1	
20	92906-05600-00	WASHER, PLATE	1	
21	90209-06223-00	WASHER	1	
22	1NL-2843M-00-00	WIRE, adjusting	1	
23	1NL-28489-00-00	SPRING	1	
24	1NL-2848A-00-00	SPRING 2	1	
25	90506-12029-00	SPRING, TENSION	1	
26	583-83981-00-00	LEVER, DECOMPRESSION	1	
27	583-83913-00-00	COLLAR, decompression lever	1	
28	98586-05016-00	SCREW, PAN HEAD	1	

CONTINUED ON NEXT FRAME ➤

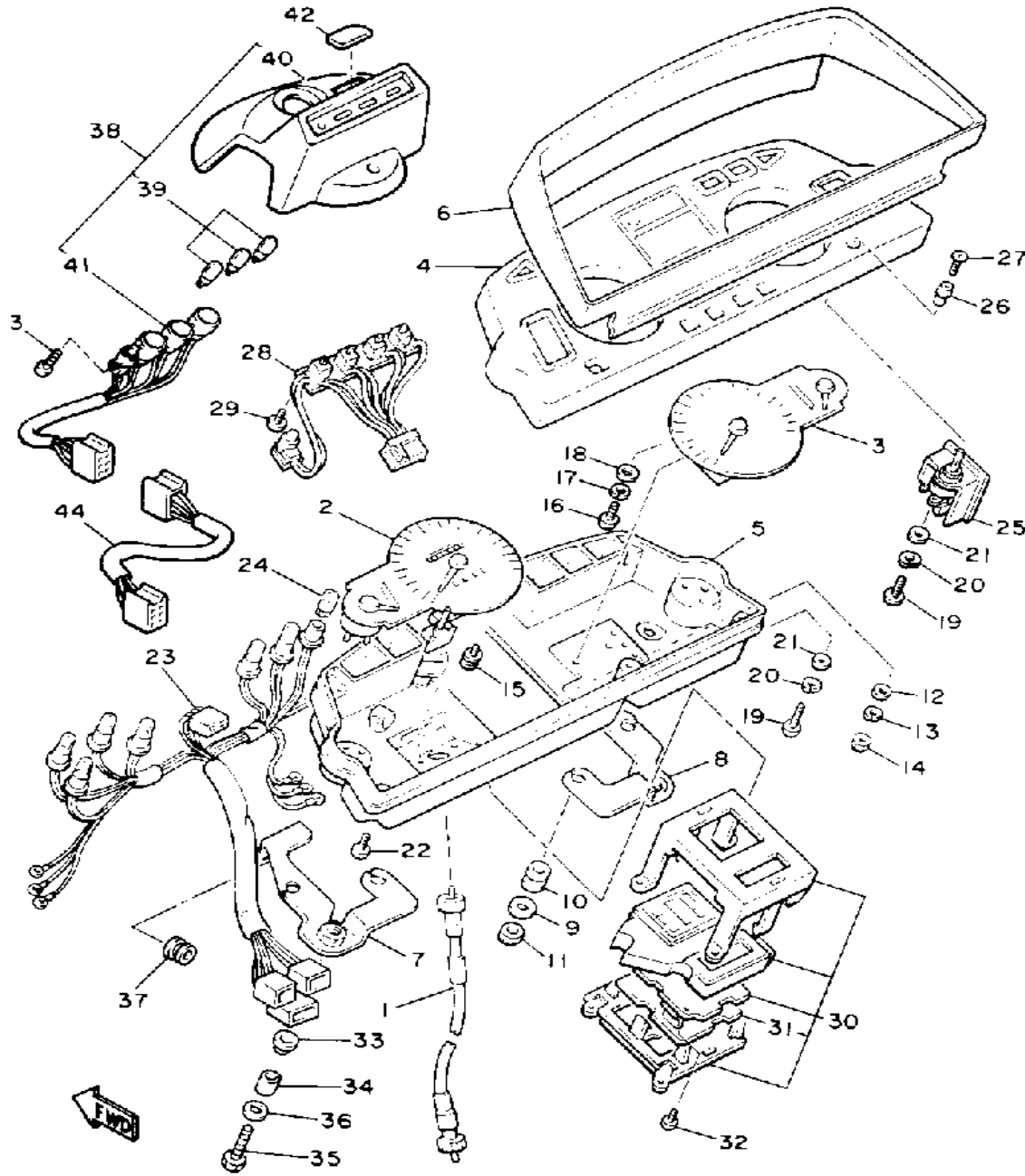
# BACK REST



Ref. No.	Part Number	Description	Qty	Remarks
29	95306-05800-00	NUT (CROWN)	1	
30	1NL-82912-00-00	HOLDER, lever upper 1	1	
31	1NL-82913-00-00	HOLDER, lever lower 1	1	
32	98506-06010-00	SCREW, PAN HEAD	1	
33	92906-06600-00	WASHER	1	
34	1KH-26257-00-00	STOPPER	1	
35	1NL-2842M-00-8B	COVER 1	1	UR DULL BLUE
	1NL-2842M-00-R0	COVER 1	1	UR GRACEFUL MAROON
36	1NL-2844U-00-00	MOULDING 0	1	
37	1NL-2844U-00-00	MOULDING 0	1	
38	90110-05079-00	BOLT, hexagon socket head	2	
39	90202-05088-00	WASHER, PLATE	2	
40	1NL-2842N-00-00	COVER 2	1	
41	97780-40112-00	SCREW, TAPPING	4	
42	1NL-2843J-00-00	COVER 3	1	
43	90159-05134-00	SCREW, w/washer	2	

2WV110-8450

# METER

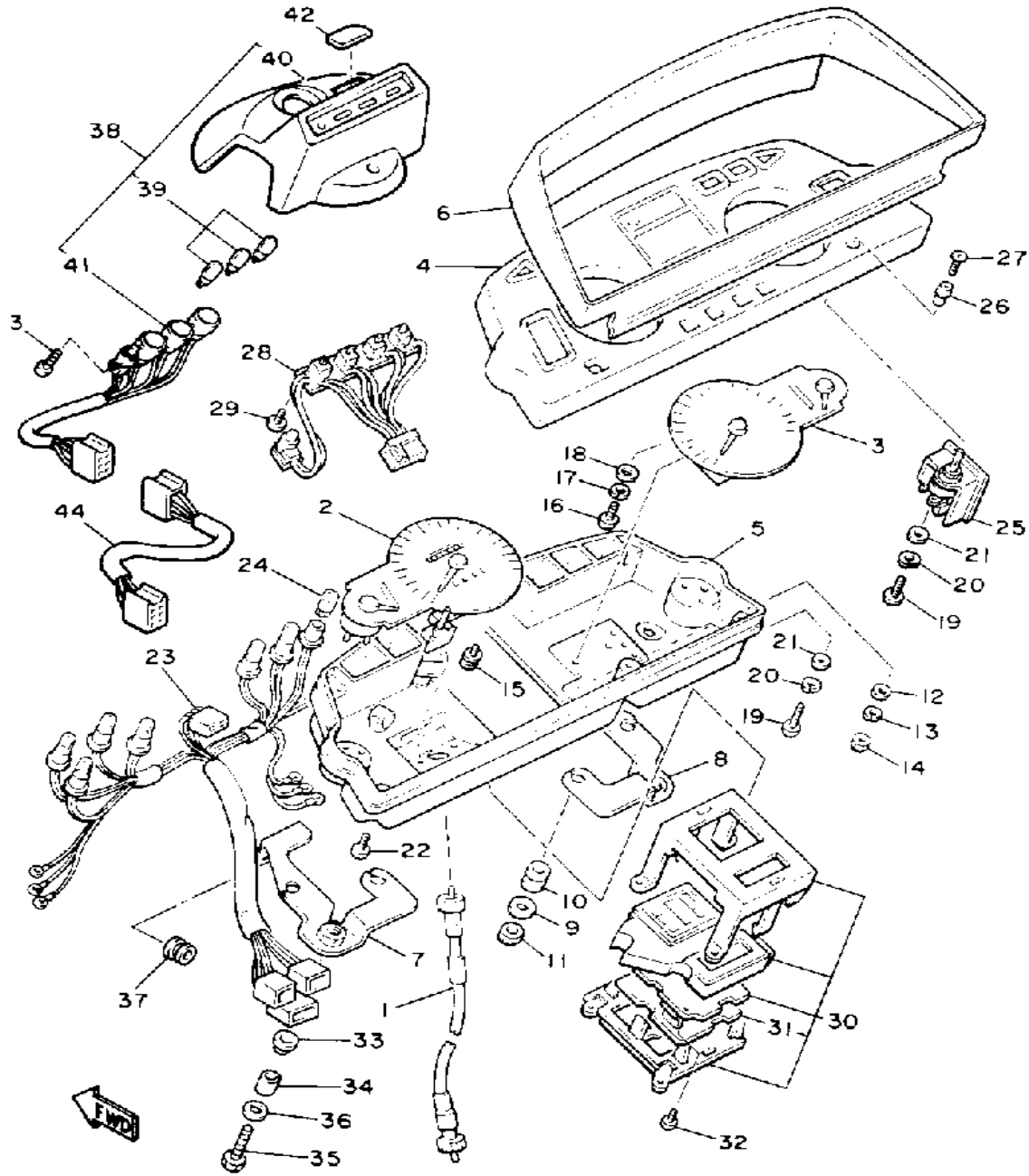


2WV110-8500

Ref. No.	Part Number	Description	Qty	Remarks
1	26H-83550-00-00	SPEEDOMETER CABLE ASS"Y	1	
2	1NL-83570-A0-00	SPEEDOMETER ASS"Y	1	
3	1NL-83540-A0-00	TACHOMETER ASS"Y	1	
4	1NL-83571-00-00	CASE, speedometer upper	1	
5	41R-83572-00-00	CASE, speedometer lower	1	
6	26H-8353G-00-00	CASE, upper	1	
7	26H-83519-00-00	BRACKET, meter	1	
8	26H-83545-00-00	BRACKET, tachometer	1	
9	90201-065F3-00	WASHER, PLATE	4	
10	5G2-83523-00-00	DAMPER	4	
11	95380-06600-00	NUT	4	
12	92902-03600-00	WASHER	5	
13	92990-03100-00	WASHER, SPRING (92901-03100)	5	
14	90179-03478-00	NUT, SPEC" L SHAPE 0 2	5	
15	90167-04021-00	SCREW, TAPPING	2	
16	98511-04012-00	SCREW, PAN HEAD	2	
17	92901-04100-00	WASHER, SPRING	2	
18	92901-04600-00	WASHER, PLATE	2	
19	98580-03010-00	SCREW, PAN HEAD (98502-03010)	6	
20	92990-03100-00	WASHER, SPRING (92901-03100)	6	
21	92902-03600-00	WASHER	6	
22	90164-04009-00	SCREW, TAPPING	10	
23	41R-83509-00-00	SOCKET CORD ASS"Y	1	
24	4G1-84744-00-00	BULB, MTR.12V3.4W	9	
25	41R-8357A-00-00	ILLUMINATION CONTROL UNIT ASS"Y	1	
26	41R-8357H-00-00	KNOB	1	

CONTINUED ON NEXT FRAME ►

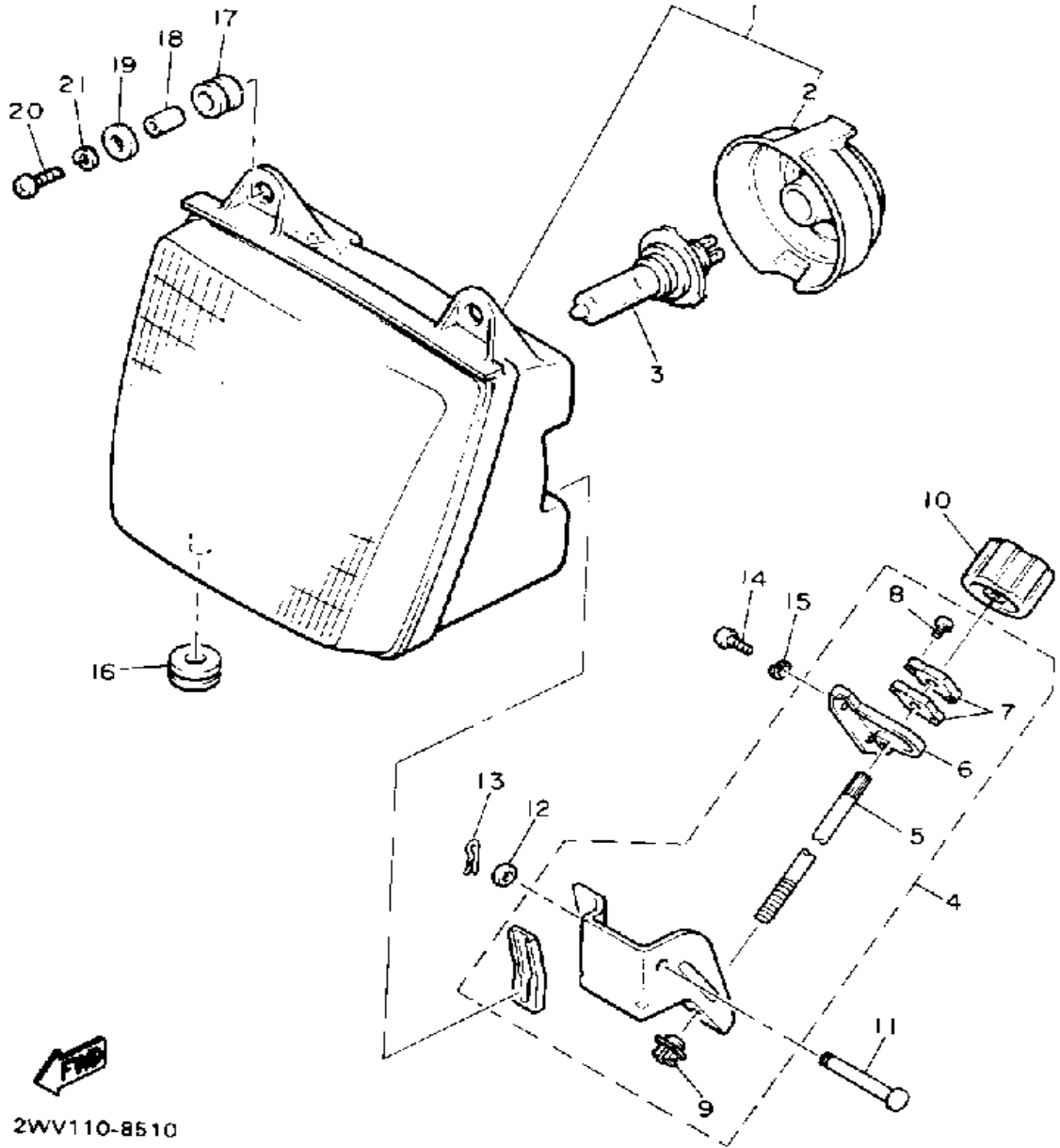
# METER



Ref. No.	Part Number	Description	Qty	Remarks
27	90157-02031-00	SCREW, PAN HEAD	1	
28	41R-83720-00-00	LED ASS'Y	1	
29	90167-03010-00	SCREW, TAPPING	3	
30	41R-8358A-M1-00	COMPUTER MONITOR ASS'Y	1	
31	41R-8359J-M1-00	. PRINT BOARD ASS'Y	1	
32	90164-04009-00	SCREW, TAPPING	3	
33	90480-14023-00	GROMMET	2	
34	90560-07007-00	SPACER	2	
35	97011-06025-00	BOLT (97001-06025)	2	
36	90201-06067-00	WASHER, PLATE	2	
37	90480-10070-00	GROMMET	2	
38	1NL-83530-00-00	PILOT LIGHT ASS'Y	1	
39	1NL-83517-00-00	. BULB (12V-3W)	3	
40	1NL-83568-00-00	. PILOT BOX, upper	1	
41	1NL-83509-00-00	. SOCKET CORD ASS'Y	1	
42	1NL-83621-00-00	MARK 1	1	
43	98706-05012-00	SCREW, flat head	2	
44	1NL-83553-00-00	WIRE, lead	1	

2WV110-8500

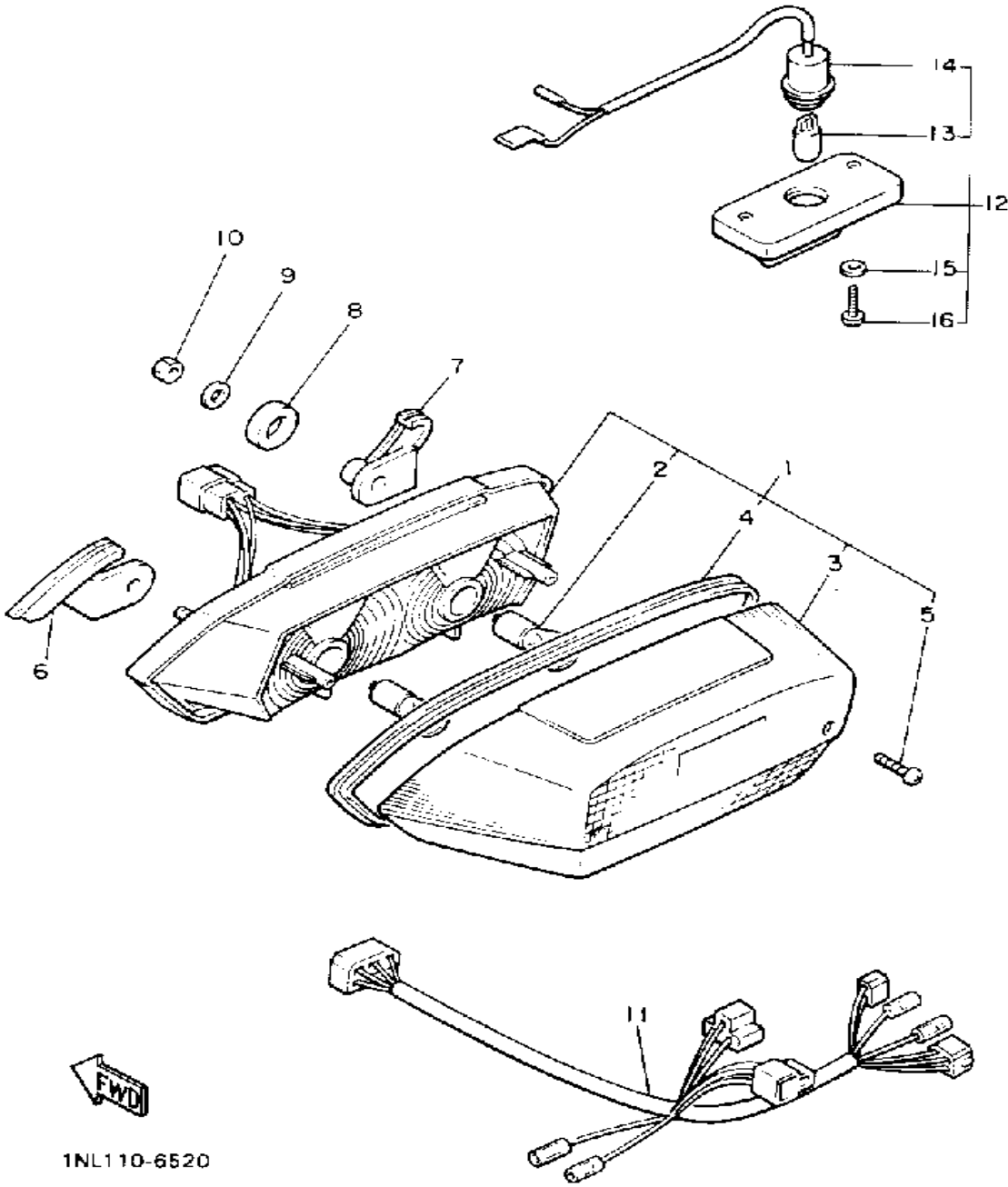
# HEADLIGHT



2WV110-8510

Ref. No.	Part Number	Description	Qty	Remarks
1	1NL-84303-A0-00	HEADLIGHT UNIT ASS'Y	1	
2	36Y-84397-00-00	. COVER, SOCKET	1	
3	5V2-84314-00-XX	BULB, HL 12V60/55W (2F9-84314-00)	1	LM
4	1NL-8431M-00-00	ROD ASS'Y	1	
5	26H-8431N-00-00	. ROD	1	
6	(26H-8431R-00-00)	STAY, SETTING	1	
7	26H-8431U-00-00	. HOLDER	2	
8	98511-04016-00	. SCREW, PAN HEAD	2	
9	26H-84327-00-00	. WASHER, special	1	
10	26H-8432M-00-00	KNOB ASSEMBLY	1	
11	91702-06055-00	PIN, clevis	1	
12	92990-06600-00	WASHER, PLATE	1	
13	90468-10050-00	CLIP	1	
14	98580-05016-00	SCREW, PAN HEAD	2	
15	92901-05600-00	WASHER, PLATE	2	
16	90480-18276-00	GROMMET	2	
17	90480-14023-00	GROMMET	2	
18	90387-07598-00	COLLAR	2	
19	90201-06059-00	WASHER, PLATE	2	
20	98506-06025-00	SCREW, PAN HEAD	2	
21	92906-06100-00	WASHER, SPRING	2	

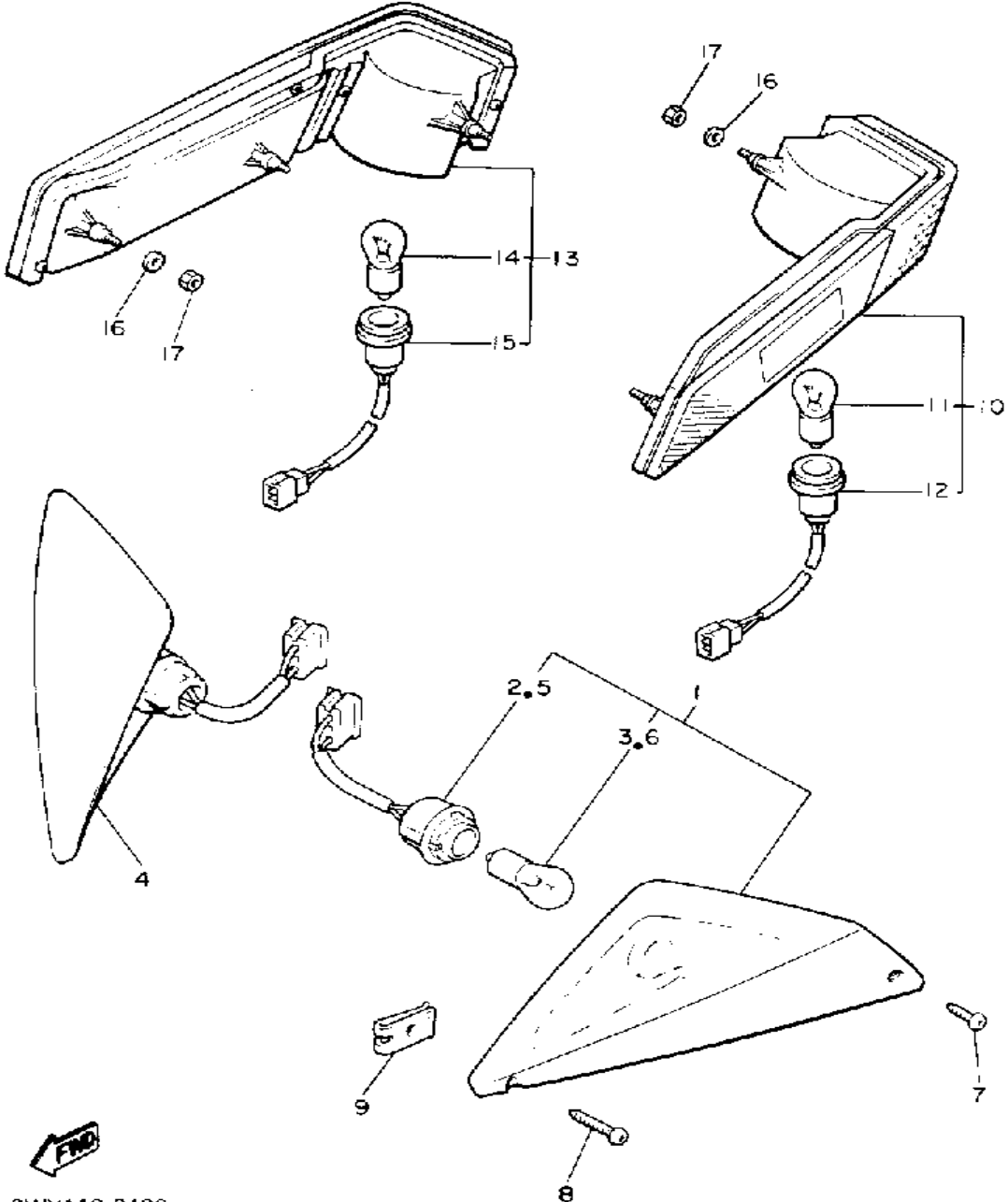
# TAILLIGHT



Ref. No.	Part Number	Description	Qty	Remarks
1	26H-84710-60-00	TAILLIGHT UNIT ASS'Y	1	
2	256-84714-61-00	. BULB (12V-27/8W)	2	
3	26H-84721-60-00	. LENS, taillight	1	
4	26H-84723-00-00	. GASKET, TAIL LENS (87M-84723-00-00)	1	
5	3Y1-84524-00-00	. SCREW, lens fitting	2	
6	26H-84736-00-00	DAMPER, tail 1	1	
7	26H-84737-00-00	DAMPER, tail 2	1	
8	26H-84553-00-00	DAMPER	2	
9	90201-06074-00	WASHER, PLATE	2	
10	95380-06600-00	NUT	2	
11	(1NL-84717-00-00)	CORD, TAILLIGHT	1	
12	1NL-84770-00-00	LIGHT, accessory	1	FOR VANITY
13	1NL-84744-00-00	. BULB (12V 5W)	1	
14	(1NL-84735-00-00)	CORD ASSEMBLY	1	
15	(90201-046K0-00)	WASHER, PLATE	2	
16	98506-04018-00	. SCREW, PAN HEAD	2	

1NL110-6520

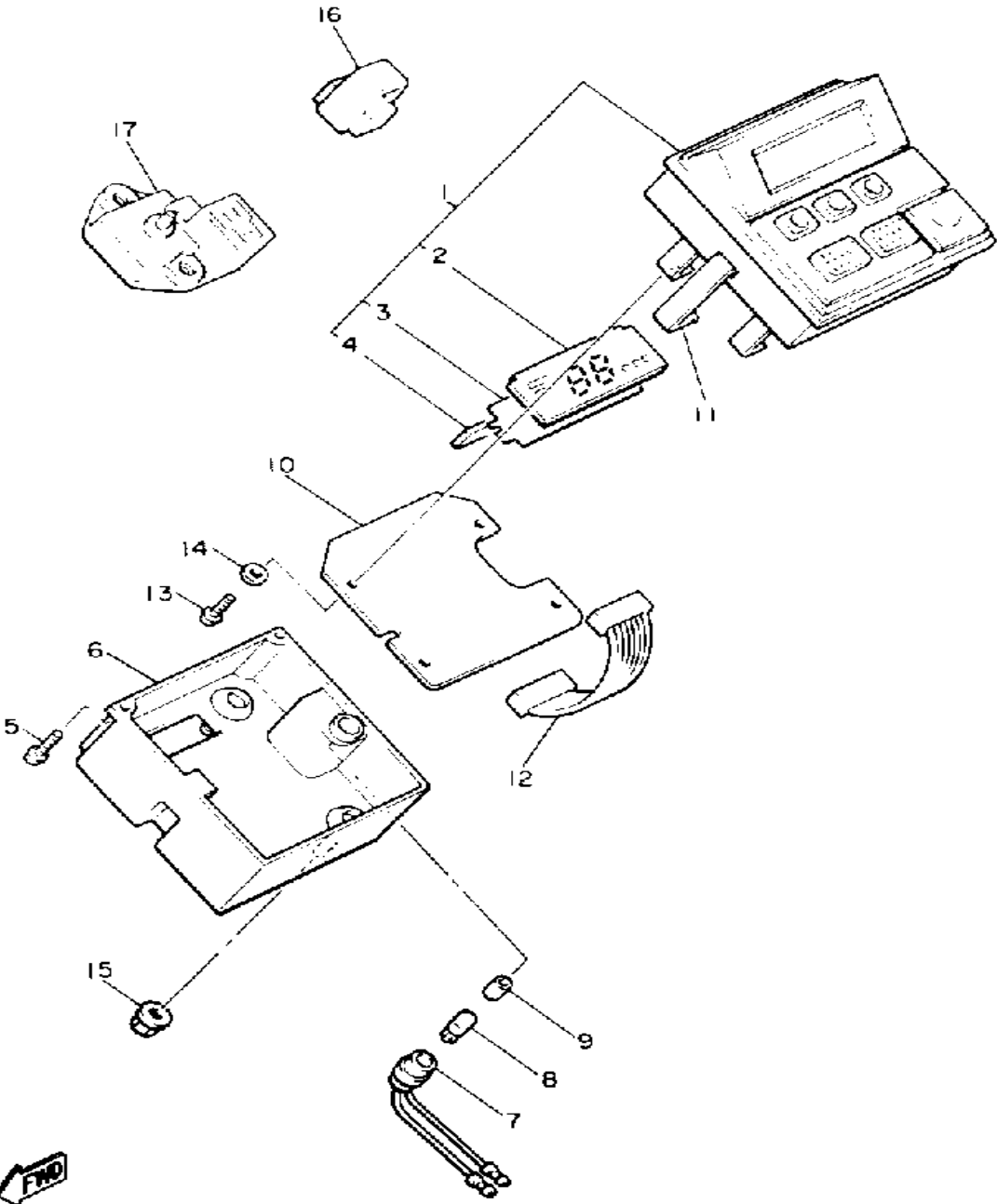
# URNSIGNAL



Ref. No.	Part Number	Description	Qty	Remarks
1	26H-83310-70-00	FRONT FLASHER LIGHT ASS'Y 1	1	
2	26H-8331E-00-00	. CORD ASS'Y	1	
3	256-84714-61-00	. BULB (12V-27/8W)	1	
4	26H-83320-70-00	FRONT FLASHER LIGHT ASS'Y 2	1	
5	26H-8332E-00-00	. CORD ASS'Y	1	
6	256-84714-61-00	. BULB (12V-27/8W)	1	
7	97780-40120-00	SCREW, TAPPING	2	
8	97702-40614-00	SCREW, TAPPING	2	
9	90183-04027-00	NUT, SPRING	4	
10	1NL-83330-00-00	REAR FLASHER LIGHT ASS'Y 1	1	
11	256-83311-70-XX	. BULB, TS 12V27W	1	
12	1NL-8333E-00-00	. CORD ASS'Y	1	
13	1NL-83340-00-00	REAR FLASHER LIGHT ASS'Y 2	1	
14	256-83331-70-XX	. UNAVAILABLE IN PRICE BOOK (25G-83331-00)	1	
15	1NL-8334E-00-00	. CORD ASS'Y	1	
16	92906-06200-00	WASHER	6	
17	95306-06800-00	NUT	6	

**FWD**  
2WV110-B490

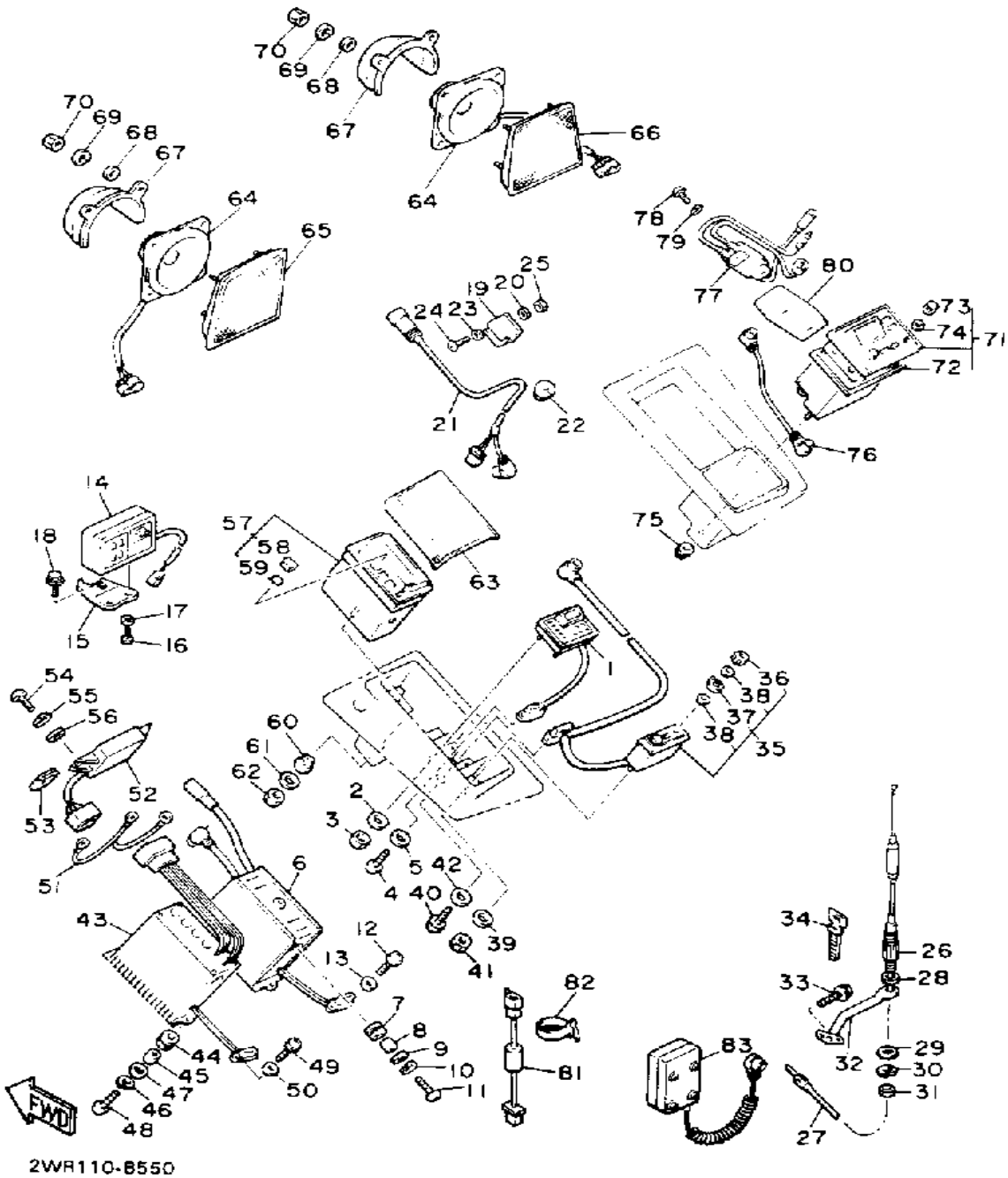
# CONTROL UNIT



Ref. No.	Part Number	Description	Qty	Remarks
1	31M-W8591-M0-00	PRINT BOARD/CASE SET	1	
2	31M-85931-00-00	. LCD UNIT	1	
3	31M-85933-00-00	. REFLECTOR, lcd	1	
4	(31M-85932-00-00)	CONNECTOR, LCD	1	
5	90164-03016-00	SCREW, TAPPING	2	
6	31M-85913-00-00	CASE, under	1	
7	31M-83520-00-00	SOCKET CORD ASS"Y	1	
8	10L-83517-00-00	BULB	1	
9	31M-83535-00-00	TUBE	1	
10	31M-85921-M0-00	PRINT BOARD ASS"Y 2	1	
11	31M-83595-00-00	CLAMP	1	
12	26H-8356N-00-00	WIRE, LEAD	1	
13	98580-03008-00	SCREW, PAN HEAD	4	
14	92902-03600-00	WASHER	4	
15	95701-04500-00	NUT, FLANGE	4	
16	25G-81950-01-00	RELAY ASSEMBLY	1	
17	31M-85981-00-00	PRESSURE, sensor	1	

3JJ110-9540

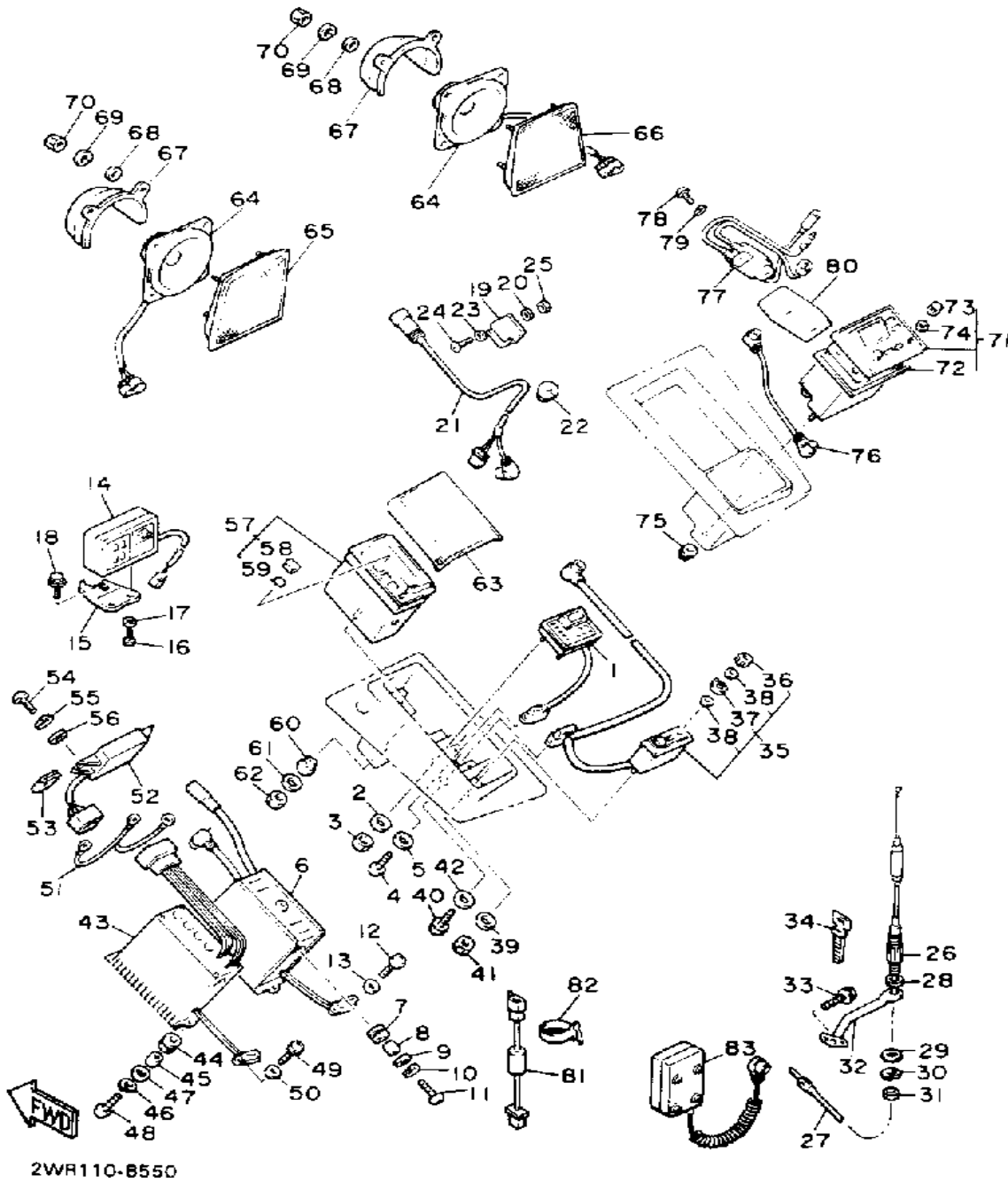
# AUDIO 1



Ref. No.	Part Number	Description	Qty	Remarks
1	26H-88121-01-00	CONTROL, tuner	1	
2	92901-04600-00	WASHER, PLATE	2	
3	95301-04600-00	NUT	4	
4	97780-30512-00	SCREW, TAPPING (97702-30512-00)	2	
5	92902-03600-00	WASHER	2	
6	26H-88122-02-00	TUNER	1	
7	90480-09364-00	GROMMET	4	
8	90387-046N2-00	COLLAR	4	
9	90201-045K9-00	WASHER, plate	4	
10	92901-04100-00	WASHER, SPRING	4	
11	98511-04012-00	SCREW, PAN HEAD	4	
12	98580-03008-00	SCREW, PAN HEAD	2	
13	92902-03600-00	WASHER	2	
14	1NL-88168-00-00	REMOTE CONTROL 1	1	
15	1NL-88178-00-00	BRACKET, remote control	1	
16	98506-05008-00	SCREW, PAN HEAD	2	
17	92906-05600-00	WASHER, PLATE	2	
18	95026-10016-00	BOLT, FLANGE	1	
19	1NL-88195-00-00	HOLDER, connector	1	
20	90387-041K1-00	COLLAR	2	
21	1NL-88196-00-00	CORD, head set 1	1	
22	1NL-28349-00-00	CAP	1	
23	90201-042E0-00	WASHER, PLATE	2	
24	98506-04018-00	SCREW, PAN HEAD	2	
25	95706-04500-00	NUT, flange	2	
26	26H-88143-09-00	POLE, antenna	1	
27	26H-88146-00-00	CABLE	1	
28	26H-88149-00-00	DAMPER	1	

CONTINUED ON NEXT FRAME ►

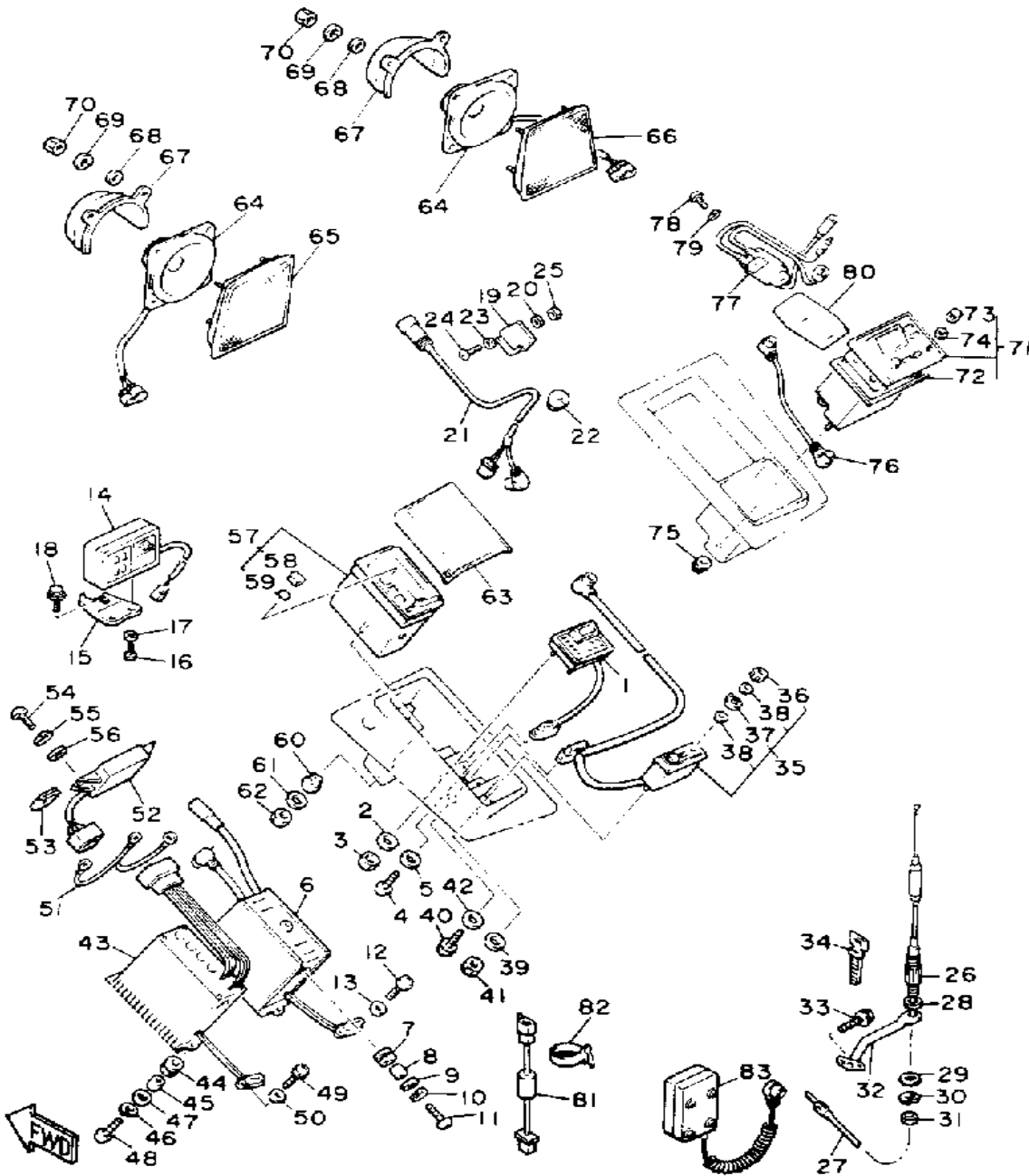
# AUDIO 1



Ref. No.	Part Number	Description	Qty	Remarks
29	92990-12200-00	WASHER, PLAIN	1	
30	92901-12100-00	WASHER, SPRING	1	
31	90170-12329-00	NUT	1	
32	1NL-88144-00-00	BRACKET, antenna	1	
33	95811-06012-00	BOLT, FLANGE	2	
34	437-83936-01-00	BAND, SWITCH CORD	1	
35	26H-88131-02-00	CONTROL, amp	1	
36	26H-88137-00-00	. BUTTON 1	2	
37	26H-88138-00-00	. KNOB 2	2	
38	26H-88139-00-00	. WASHER, gum	4	
39	92901-04600-00	WASHER, PLATE	1	
40	95301-04600-00	NUT	2	
41	97780-30512-00	SCREW, TAPPING (97702-30512-00)	2	
42	92902-03600-00	WASHER	2	
43	26H-88132-01-00	AMP. POWER	1	
44	90480-09364-00	GROMMET	4	
45	90387-046N2-00	COLLAR	4	
46	92901-04100-00	WASHER, SPRING	4	
47	90201-045K9-00	WASHER, plate	3	
48	98511-04012-00	SCREW, PAN HEAD	4	
49	98580-03008-00	SCREW, PAN HEAD	2	
50	92902-03600-00	WASHER	2	
51	26H-8232Y-00-00	WIRE, earth lead	1	
52	1NL-88188-00-00	FILTER, noise	1	
53	90183-05024-00	NUT, SPRING	2	
54	98580-05016-00	SCREW, PAN HEAD	2	
55	92990-05100-00	WASHER, SPRING	2	
56	92990-05200-00	WASHER, PLAIN	2	

CONTINUED ON NEXT FRAME ►

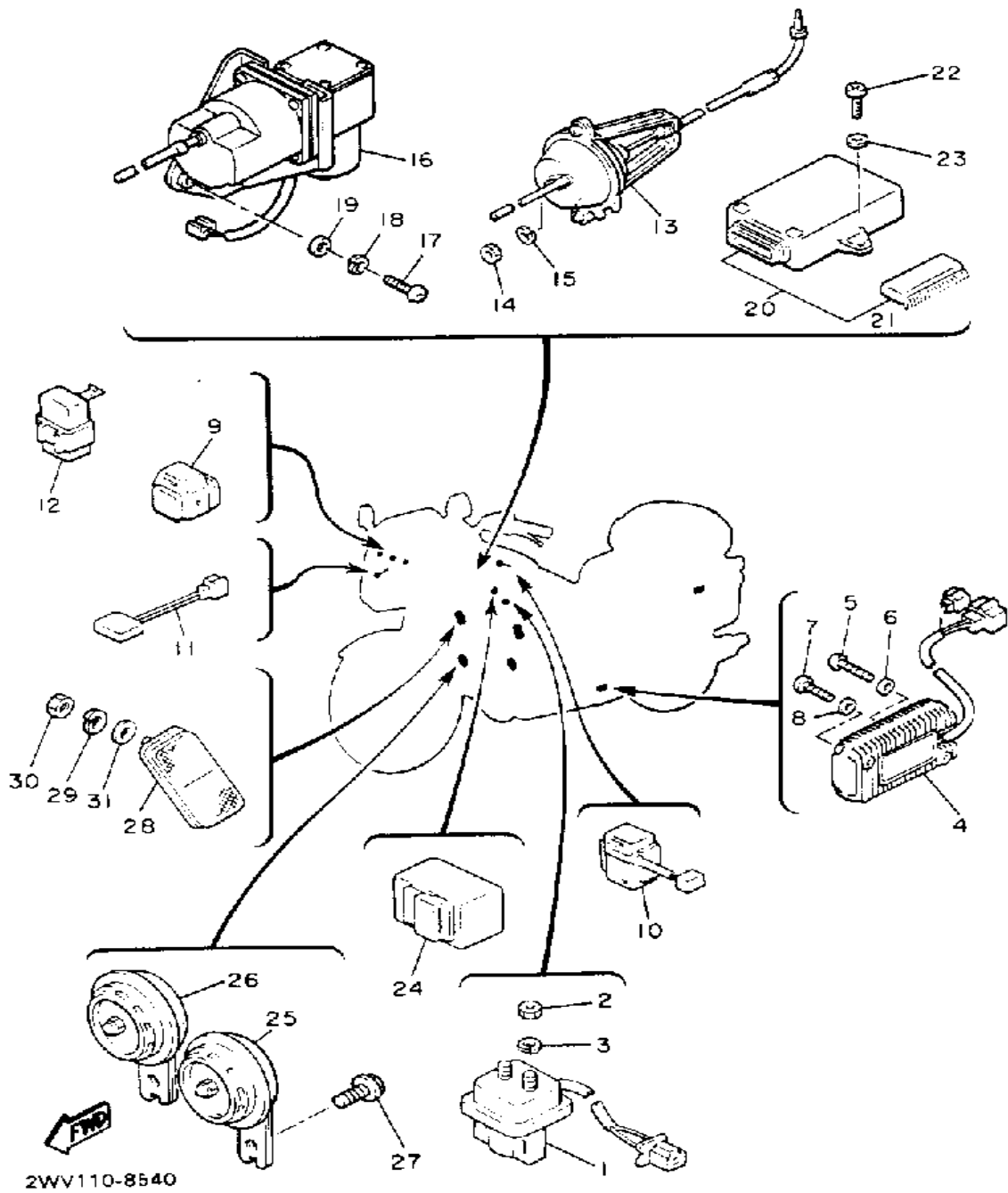
# AUDIO 1



2WR110-8550

Ref. No.	Part Number	Description	Qty	Remarks
57	26H-88150-01-00	CASSETTE DECK ASS'Y	1	
58	26H-88157-00-00	. BUTTON 1	3	
59	26H-88159-00-00	. O-RING	3	
60	26H-28227-00-00	DAMPER 2	1	
61	90201-056G0-00	WASHER, PLATE	1	
62	95380-05600-00	NUT	1	
63	26H-88153-00-00	COVER, cassette deck	1	
64	26H-88161-00-00	SPEAKER 1	2	
65	26H-88163-00-00	GRILLE, speaker 1	1	
66	26H-88173-00-00	GRILLE, speaker 2	1	
67	26H-88162-00-00	BOX, speaker 1	2	
68	90201-05031-00	WASHER, PLATE	8	
69	92990-05100-00	WASHER, SPRING	8	
70	95380-05600-00	NUT	8	
71	59J-88180-01-00	CB RADIO ASS'Y	1	
72	59J-8818E-00-00	. GASKET, cb	1	
73	59J-8818F-00-00	. KNOB, cb	2	
74	59J-8818G-00-00	. PACKING, cb	2	
75	95701-04500-00	NUT, FLANGE	2	
76	59J-88186-00-00	CORD, cb	1	
77	1NL-88185-00-00	MATCHING BOX ASS'Y	1	
78	98580-04010-00	SCREW, PAN HEAD	2	
79	92901-04100-00	WASHER, SPRING	2	
80	59J-8818A-00-00	COVER, matching box	1	
81	59J-88188-00-00	FILTER, noise	1	
82	12R-82591-00-00	BAND	1	
83	1NL-88169-00-00	REMOTE CONTROL 1	1	

# ELECTRICAL 1

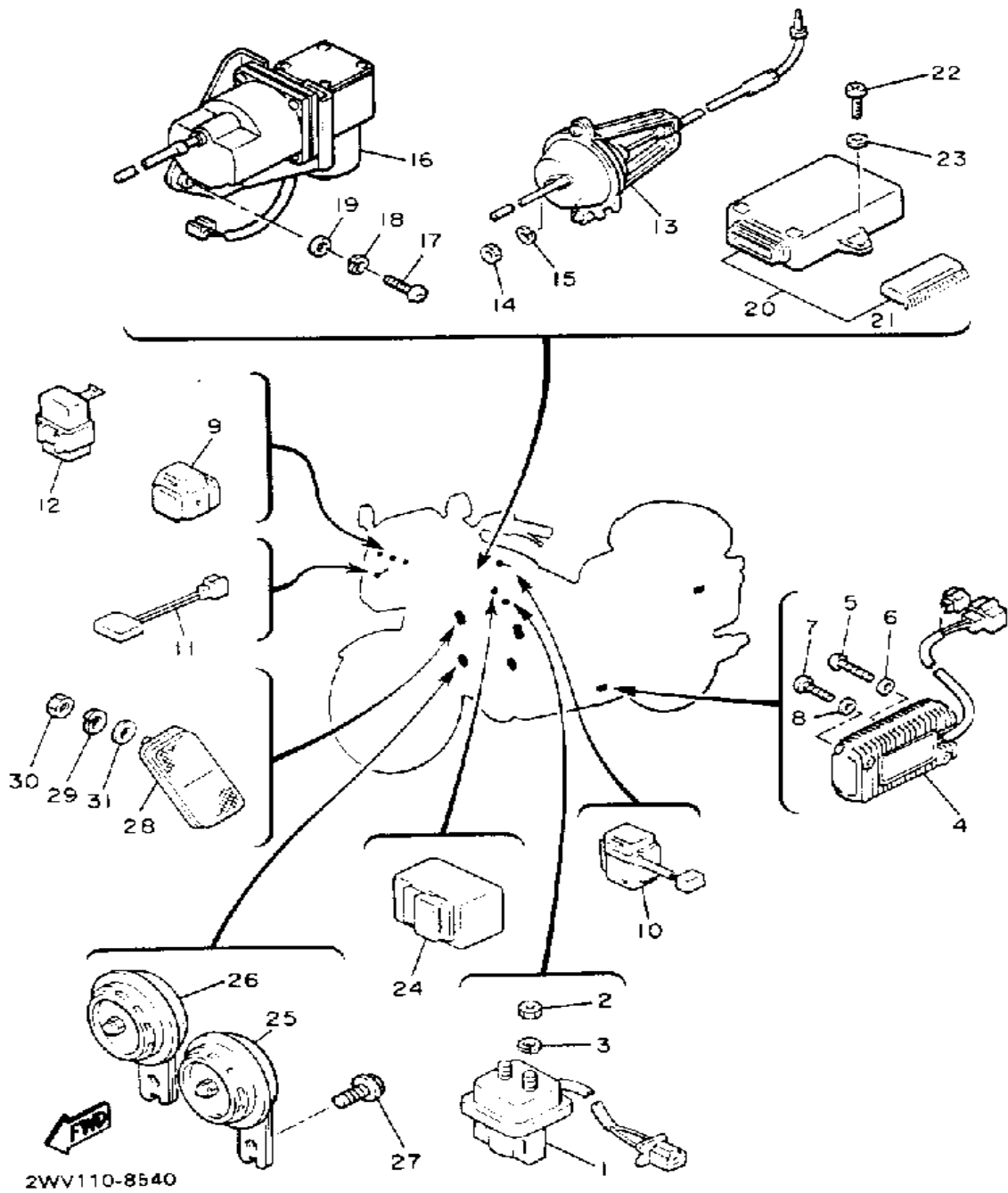


Ref. No.	Part Number	Description	Qty	Remarks
1	36Y-81940-00-00	STARTER RELAY ASSEMBLY .	1	
2	95380-06700-00	NUT .....	2	
3	92995-06100-00	WASHER, SPRING .....	2	
4	2WR-81960-A0-00	RECTIFIER & REGULATOR ASS'Y .....	1	
5	98506-06016-00	SCREW, PANHEAD .....	1	
6	92906-06600-00	WASHER .....	1	
7	98506-06035-00	SCREW, PAN HEAD .....	1	
8	92906-06600-00	WASHER .....	1	
9	4U8-81950-02-00	RELAY ASSEMBLY. (4U8-81950-00) .....	1	FOR SIDE STAND
10	2H7-82576-00-00	EMERGENCY STOP SWITCH ASS'Y .....	1	
11	4H7-81980-M0-00	DIODE ASSEMBLY .....	1	
12	41R-85740-00-00	CONTROL UNIT ASS'Y .....	1	
13	1NL-85860-00-00	VACUUM ACTUATOR .....	1	
14	95333-08600-00	NUT .....	1	
15	92990-08100-00	WASHER .....	1	
16	1NL-85861-00-00	PUMP, vacuum .....	1	
17	98580-06020-00	SCREW .....	3	
18	92995-06100-00	WASHER, SPRING .....	3	
19	90201-06M08-00	WASHER, PLATE .....	3	
20	1NL-85830-00-00	CONTROL UNIT ASS'Y .....	1	
21	1NL-85842-00-00	. CENTRAL PROCESSING UNIT ASS'Y .....	1	
22	98503-06014-00	SCREW, PAN HEAD (92502-06016) .....	2	
23	92990-06600-00	WASHER, PLATE .....	2	
24	41R-83350-71-00	FLASHER RELAY ASSEMBLY .	1	
25	1NL-83371-20-00	HORN .....	1	

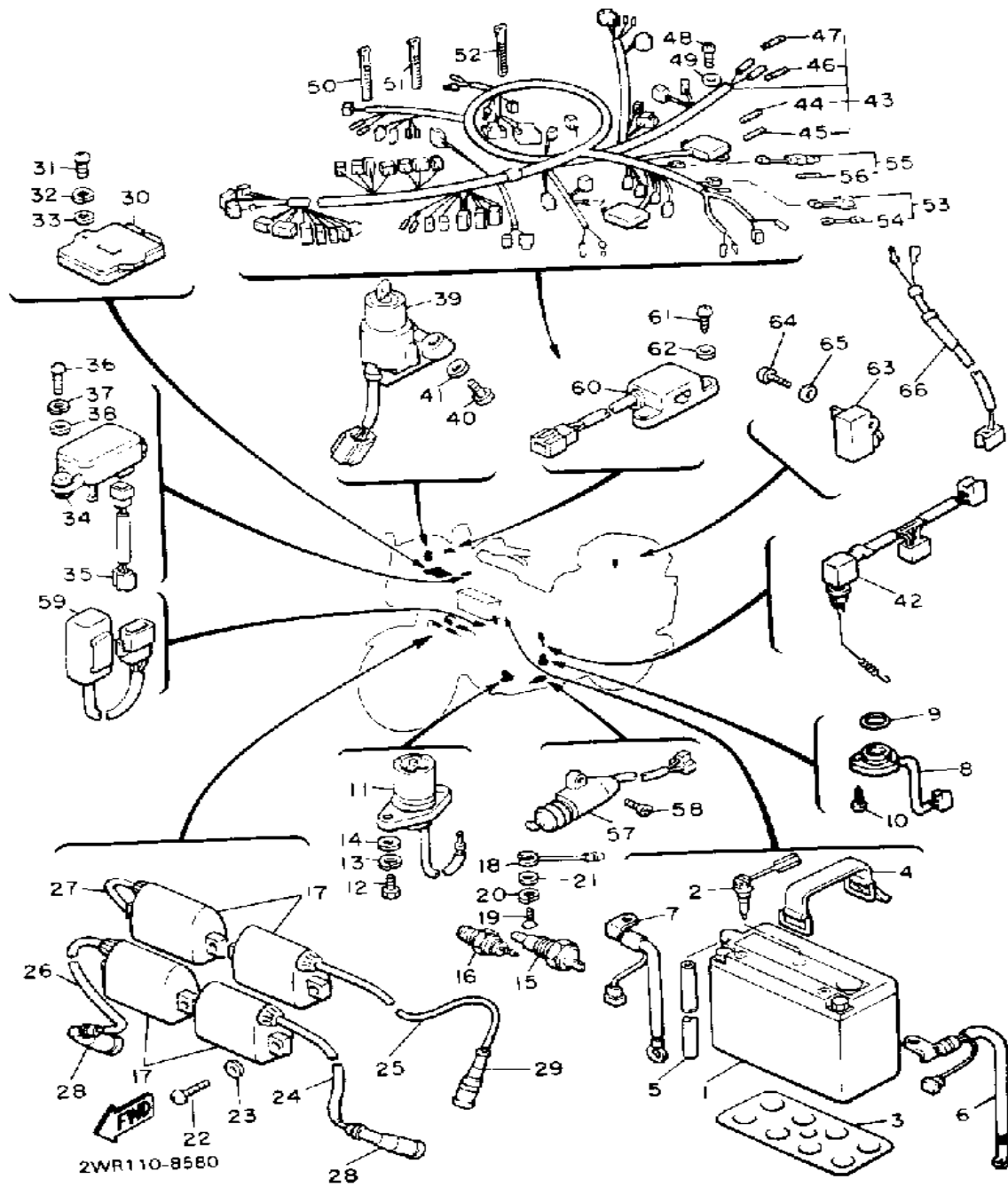
CONTINUED ON NEXT FRAME ►

# ELECTRICAL 1

Ref. No.	Part Number	Description	Qty	Remarks
26	1NL-83371-30-00	HORN	1	
27	90105-08705-00	BOLT, WASHER BASED	2	
28	11H-85110-01-00	REFLECTOR ASSEMBLY	2	
29	92990-05100-00	WASHER, SPRING	2	
30	95311-05700-00	NUT	2	
31	92990-05200-00	WASHER, PLAIN	2	



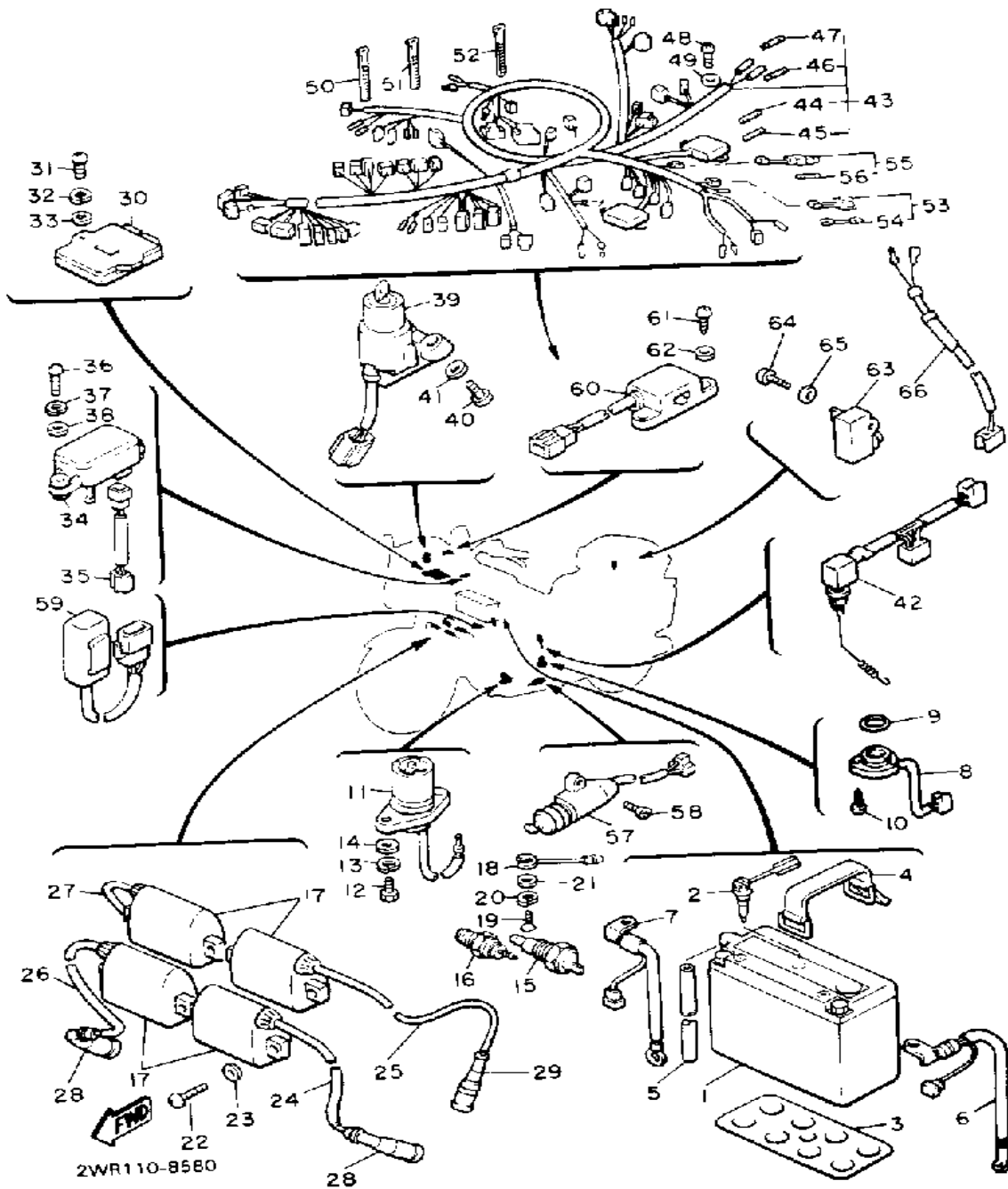
# ELECTRICAL 2



Ref. No.	Part Number	Description	Qty	Remarks
1	BTG-GM18Z-3A-S0	GS GM18Z-3AS .....	1	
2	26H-82120-00-00	SENDER, battery .....	1	
3	26H-82122-00-00	SEAT, battery .....	1	
4	26H-82131-00-00	BAND, BATTERY .....	1	
5	90445-08716-00	HOSE .....	1	
6	26H-82115-00-00	WIRE, plus lead .....	1	
7	26H-82116-00-00	WIRE, minus lead .....	1	
8	41R-82540-01-00	NEUTRAL SWITCH ASS"Y ...	1	
9	93210-29196-00	O-RING .....	1	
10	98701-05012-00	SCREW, FLAT HEAD .....	3	
11	1NL-85720-00-00	OIL LVL GAUGE ASSEMBLY ..	1	
12	97011-06020-00	BOLT .....	2	
13	92995-06100-00	WASHER, SPRING .....	2	
14	92901-06600-00	WASHER .....	2	
15	2EL-82560-00-00	THERMO SWITCH ASSEMBLY	1	
16	11H-83591-00-00	THERMO UNIT .....	1	
17	25G-82310-10-00	IGNITION COIL ASSEMBLY ...	4	
18	26H-83354-00-00	WIRE, EARTH LEAD 1 .....	1	
19	98580-04008-00	SCREW, PAN HEAD .....	1	
20	92901-04100-00	WASHER, SPRING .....	1	
21	92901-04600-00	WASHER, PLATE .....	1	
22	98580-06020-00	SCREW .....	8	
23	92990-06600-00	WASHER, PLATE .....	8	
24	1NL-82343-00-00	CORD, high tension 3 .....	1	
25	41R-82342-00-00	CORD, high tension 2 .....	1	
26	1NL-82343-00-00	CORD, high tension 3 .....	1	
27	41R-82344-00-00	CORD, high tension 4 .....	1	
28	1UY-82370-20-00	PLUG CAP ASSEMBLY .....	2	
29	1FK-82370-00-00	PLUG CAP ASSEMBLY .....	2	

CONTINUED ON NEXT FRAME ►

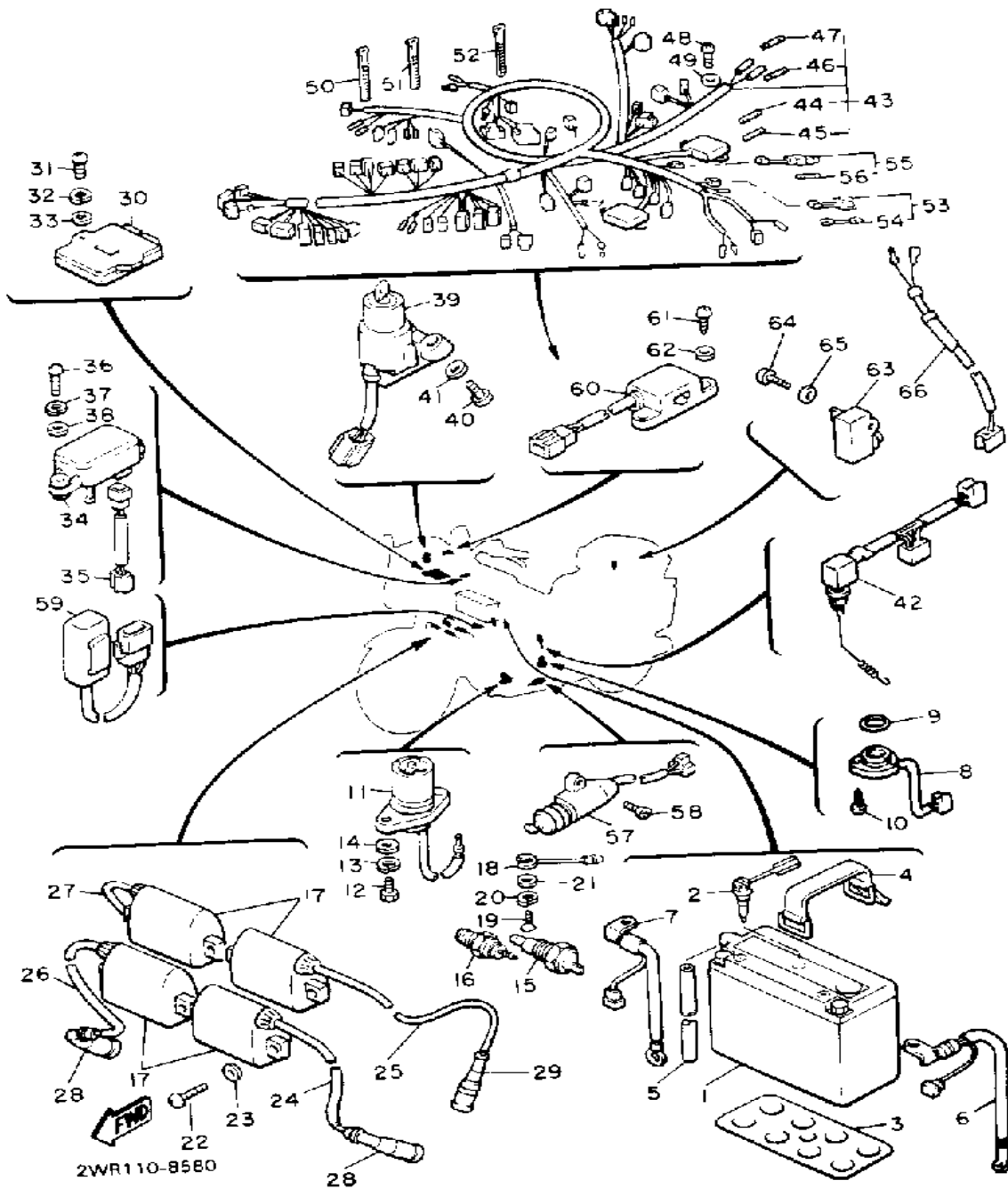
# ELECTRICAL 2



Ref. No.	Part Number	Description	Qty	Remarks
30	41R-82305-11-00	IGNITOR UNIT ASSEMBLY 1 ..	1	
31	98503-06014-00	SCREW, PAN HEAD (92502-06016)	2	
32	92995-06100-00	WASHER, SPRING	2	
33	90201-06M08-00	WASHER, PLATE	2	
34	22N-82380-10-00	SENSOR, PRESSURE	1	
35	26H-82309-00-00	WIRE, sub lead	1	
36	98580-06020-00	SCREW	2	
37	92995-06100-00	WASHER, SPRING	2	
38	90201-065F3-00	WASHER, PLATE	2	UR NON-CAL.
39	1NL-82501-00-00	MAIN SWITCH STEERING LOCK	1	
40	97313-06016-00	BOLT, HEXAGON	2	
41	92990-06600-00	WASHER, PLATE	2	
42	2WR-82530-00-00	STOP SWITCH ASS'Y	1	
43	1NL-82590-01-00	WIRE HARNESS ASSEMBLY ..	1	
44	5G2-82151-00-00	. FUSE	3	
45	116-82151-00-00	. FUSE (10A)	5	
46	4X7-82151-00-00	. FUSE	4	
47	1A0-82161-00-00	. FUSE (20A) (148-82151-00-00)	2	
48	97780-50520-00	SCREW, TAPPING	1	
49	92990-06200-00	WASHER	1	
50	437-83936-11-00	BAND, SWITCH CORD	2	
51	437-83936-01-00	BAND, SWITCH CORD	1	
52	7H9-87188-00-00	BINDER (XL540J)	12	
53	26H-82150-01-00	FUSE HOLDER ASS'Y	1	
54	707-82151-00-00	. FUSE (40A)	3	
55	4X7-82150-00-00	FUSE HOLDER ASSEMBLY ...	1	
56	1A0-82161-00-00	. FUSE (20A) (148-82151-00-00)	2	

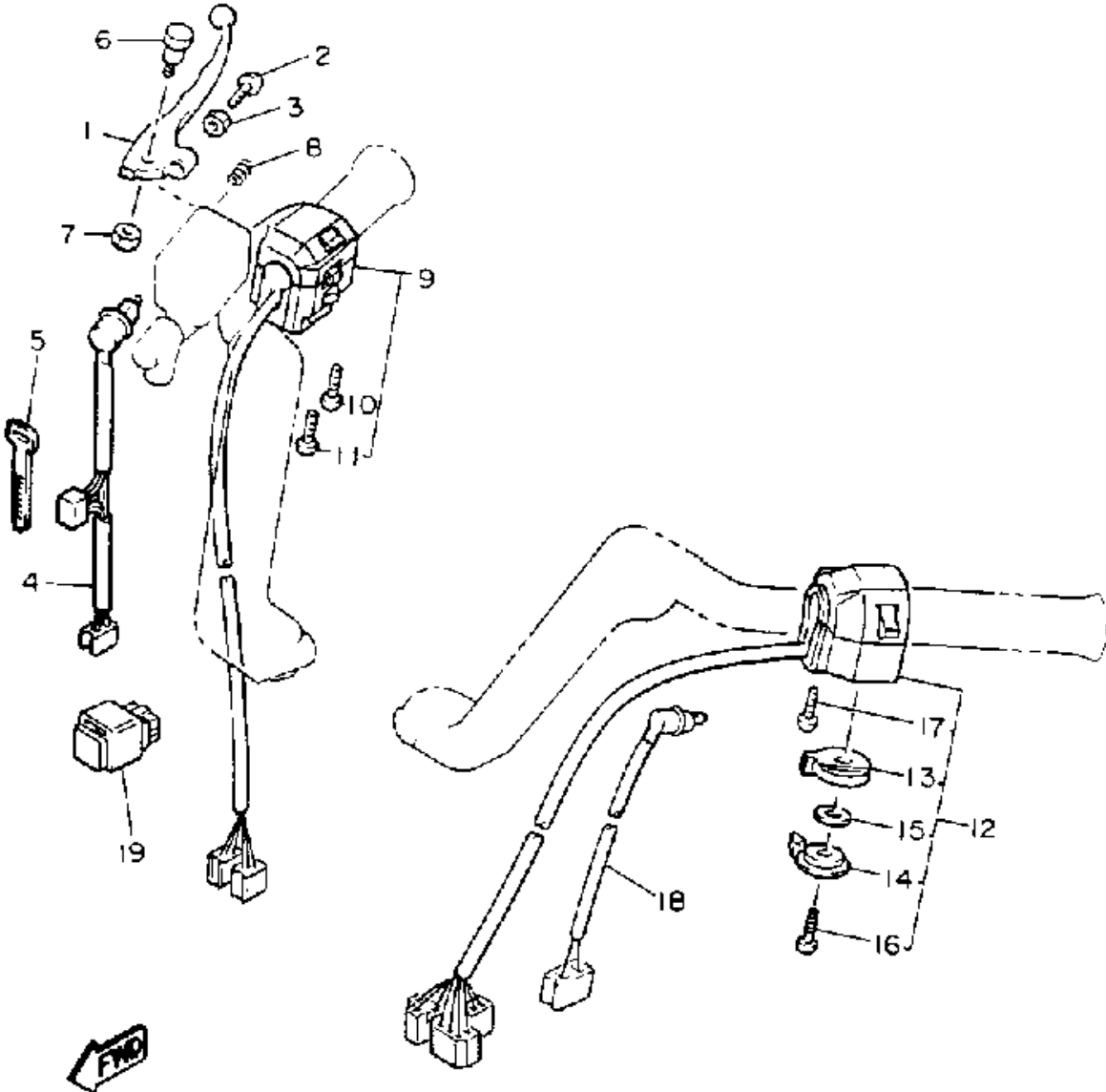
CONTINUED ON NEXT FRAME ►

# ELECTRICAL 2



Ref. No.	Part Number	Description	Qty	Remarks
57	26H-82566-00-00	SWITCH, side stand .....	1	
58	90152-05021-00	SCREW, COUNTERSUNK .....	2	
59	10M-84308-00-00	RESERVE LIGHTING UNIT ASS'Y .....	1	
60	41V-83362-00-00	HAZARD FLASHER SWITCH ..	1	
61	97780-40112-00	SCREW, TAPPING .....	2	
62	92990-04200-00	WASHER, PLAIN .....	2	
63	J45-82503-01-00	SWITCH, ALARM .....	1	FOR TRUNK-LIGHT
64	98506-04018-00	SCREW, PAN HEAD .....	1	
65	92906-04600-00	WASHER, PLATE .....	1	
66	1NL-82509-00-00	WIRE, lead .....	1	

# HANDLE SWITCH - LEVER



2WR110-8560

Ref. No.	Part Number	Description	Qty	Remarks
1	26H-83922-10-00	LEVER 2 (26H-83922-01)	1	
2	90149-06131-00	SCREW	1	
3	90170-06010-00	NUT	1	
4	2WR-83980-01-00	FRONT STOP SWITCH ASS'Y (2WR-83980-00)	1	
5	437-83936-01-00	BAND, SWITCH CORD	1	
6	90109-06577-00	BOLT	1	
7	95616-06100-00	NUT, U	1	
8	90501-10510-00	SPRING, COMPRESSION	1	
9	1NL-83972-50-00	SWITCH, handle 4	1	
10	98506-05040-00	. SCREW, PAN HEAD	1	
11	98506-05060-00	. SCREW, pan head	1	
12	1NL-83972-00-00	SWITCH, handle 4	1	
13	10M-83942-00-00	. COVER, STARTER	1	
14	10M-83941-00-00	. LEVER, STARTER	1	
15	90209-10131-00	. WASHER	1	
16	98506-06008-00	. SCREW, PAN HEAD (92506-06008-00)	1	
17	98506-05035-00	. SCREW, PAN HEAD	2	
18	41V-82917-01-00	SWITCH (41V-82917-00)	1	
19	25G-81950-01-00	RELAY ASSEMBLY	1	

# XVZ13DW, DWC

## 1989 SERVICE DATA

<b>MODEL / PREFIX</b>	XVZ13DW / 3J XVZ13DWC / 3J
<b>INITIAL ENGINE NUMBER / FRAME NUMBER</b>	DW: 1NL-027101 / JYA1NLE0( )KA027101 DWC: 1UN-005101 / JYA1UNE0( )KA005101
<b>ENGINE:</b>	Liquid-Cooled Four-Stroke, DOHC V-4
Bore / Stroke / Number Cylinders / Displacement	79mm / 66mm / 4 / 1294cc
Valve Clearance (Cold): Intake / Exhaust	0.11 ~ 0.15mm / 0.16 ~ 0.20mm
Oil Type: Above 5°C (40°F)	Yamalube 4* or SAE20W40 SE or SF
Oil Type: Below 15°C (60°F)	SAE10W30 SE or SF
Capacity: Oil and Filter Change / Oil Change Only	3800cc (4 qt) / 3500cc (3.7 qt)
Oil Filter Part Number	1J7-13440-91-00
<b>TRANSMISSION:</b>	
Oil Type/Capacity/Drive Chain Free Play	See ENGINE / $\phi$ / $\phi$
<b>MIDDLE GEAR CASE: Oil Type / Capacity</b>	$\phi$
<b>FINAL GEAR CASE: Oil or Grease Type/Capacity</b>	SAE80 API GL-4 Hypoid Shaft Drive Gear Oil*/200cc
<b>FUEL TANK: Main / Reserve / Fuel Type</b>	20 Lit (5.3 gal) / $\phi$ / Unleaded Regular
<b>COOLING SYSTEM: Coolant Type / Mixing Ratio (Liquid)</b>	Ethylene-Glycol-Water / 1:1
<b>CARBURETOR:</b>	
Manufacturer / Type / ID Number	Mikuni / BDS35 / DW:1NL-00      DWC:1UN-00
Main Jet / Pilot Jet / Pilot Screw (Turns Out)	#125 / #37.5 / Fixed
Needle Jet / Jet Needle / Clip Position	Y-O / 5DZ3-1 / 1
Slide Cutaway	$\phi$
Float Height / Fuel Level	$\phi$ / 16 $\pm$ 0.5mm (with special tool)
Idle rpm	1000 $\pm$ 50
Max CO <sub>e</sub> / Max HC <sub>e</sub> / Set CO <sub>e</sub>	7.0% / 800 ppm / 3.0 $\pm$ 0.5% @ 1000 rpm
<b>SUSPENSION:</b>	
Front: Oil Type / Level / Quantity	10 wt. Fork Oil* / 172mm / 409cc
Gas or Air Pressure Min ~ Max / Standard	0.5 ~ 1.5 kg/cm <sup>2</sup> (7~21 psi) / 0.8 kg/cm <sup>2</sup> (11 psi)
Rear: Gas or Air Pressure Min ~ Max / Standard	0.5 ~ 6.0 kg /cm <sup>2</sup> (7~85 psi)/1.0 kg/cm <sup>2</sup> (14.2 psi)
<b>TIRES: Size / Nominal Pressure: Front</b>	120/90-18 / 2.25 kg/cm <sup>2</sup> (32 psi)
Size / Nominal Pressure: Rear	140/90-16 / 2.25 kg/cm <sup>2</sup> (32 psi)
<b>BATTERY:</b>	
Model / Capacity	GM18Z-3A / 12V 20AH
Specific Gravity / Charge Rate	1.280 / 2.0A
<b>IGNITION SYSTEM:</b>	Transistor Controlled
Timing (BTDC)	5° @ 1000 rpm      Full Adv: 48° @ 5000 rpm
Spark Plug / Gap	NGK DPR 8EA-9 or NDX24EPR-U9 / 0.8~0.9mm
<b>LIGHTING SYSTEM:</b>	
Headlight / Taillight / Turn Signal	12V60-55W / 12V27-8W / 12V-27W
<b>SERVICE LITERATURE:</b>	
Owner's Manual	LIT-11626-06-69
Service Manual	LIT-11616-06-06 (Same as XVZ13DU, DUC)
Assembly Manual	LIT-11666-06-06 (Same as XVZ13DU, DUC)
Consumer Information	LIT-11656-04-50

$\phi$  = Does not apply to this model  
NA = Information not available

\* = Available from YPDI  
⊗ = For diagnostic use only

TORQUE VALUES				
APPLICATION	SIZE	m-kg	ft-lb	NOTES
Front Axle Nut	M14	10.5	75	
Front Axle Holder Nut	M8	2.0	14	
Rear Axle Nut	M18	15.0	110	
Rear Axle Pinch Bolt	$\phi$			
Clutch Nut	M20	7.0	50	
Drain Plug	M14	4.3	31	
Flywheel Nut	M10	13.0	94	
Cylinder Head Cover	M6	1.0	7.2	
Cylinder Head	M10	4.3	31	
Engine Mounting Bolts: Front	M10	4.2	30	
Front Lower Bracket	M10	4.2	30	
Rear	M12	7.0	50	
Pivot Shaft				
Spark Plug		1.75	12.5	

<sup>1</sup> Use Lock Washer

<sup>2</sup> Use Loctite®

<sup>3</sup> Use Motor Oil

<sup>4</sup> Use Motor Oil on Washers

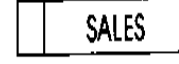
<sup>5</sup> Stake

<sup>6</sup> Left-Hand Threads

$\phi$  Does not apply to this model

PAGE 2 OF 2

ROUTE TO:



TORQUE VALUES				
APPLICATION	SIZE	m-kg	ft-lb	NOTES
Front Axle Nut	M14	10.5	75	
Front Axle Holder Nut	M8	2.0	14	
Rear Axle Nut	M18	15.0	110	
Rear Axle Pinch Bolt	φ			
Clutch Nut	M20	7.0	50	
Drain Plug	M14	4.3	31	
Flywheel Nut	M10	13.0	94	
Cylinder Head Cover	M6	1.0	7.2	
Cylinder Head	M10	4.3	31	
Engine Mounting Bolts: Front	M10	4.2	30	
Front Lower Bracket	M10	4.2	30	
Rear	M12	7.0	50	
Pivot Shaft				
Spark Plug		1.75	12.5	

- <sup>1</sup> Use Lock Washer
- <sup>2</sup> Use Loctite®
- <sup>3</sup> Use Motor Oil
- <sup>4</sup> Use Motor Oil on Washers

- <sup>5</sup> Stake
- <sup>6</sup> Left-Hand Threads
- φ Does not apply to this model

PAGE 2 OF 2    ROUTE TO:  SERVICE     PARTS     WARRANTY     SALES